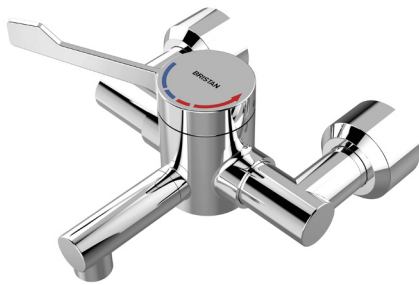


H64WMT2

COMMERCIAL Tap Range Thermostatic Wall Mounted TMV3 HTM64 Mixer Tap



Specification	
Style:	Commercial
Product Type:	Healthcare Taps
Finish/Colour:	Chrome
Main Construction Material:	Brass
Mount Type:	Wall Mounted
Handle Type:	Lever
Connection Inlet:	15mm Compressions with Eccentric Isolation
Number of Tap Holes Required:	2
Valve/Cartridge Type:	Thermostatic Cartridge
Plumbing System Suitability	All, preferably balanced
Working Pressure Range:	Min 0.2 Bar, Max 5.0 Bar
Maximum Hot Water Temperature: °c	60
Maximum Dynamic Pressure: (bar)	5
Maximum Static Pressure: (bar)	10
Flow Type:	Single Flow
Flow Rate: (l/min @ 3 bar)	5.7
Connection Outlet:	
Isolation Included:	Yes

Features:

- Complies with HTM04-01
- Safe Touch surface temperature
- Integral flush system assists against infection
- Smooth internal waterways
- 1-step isolation and filter removal

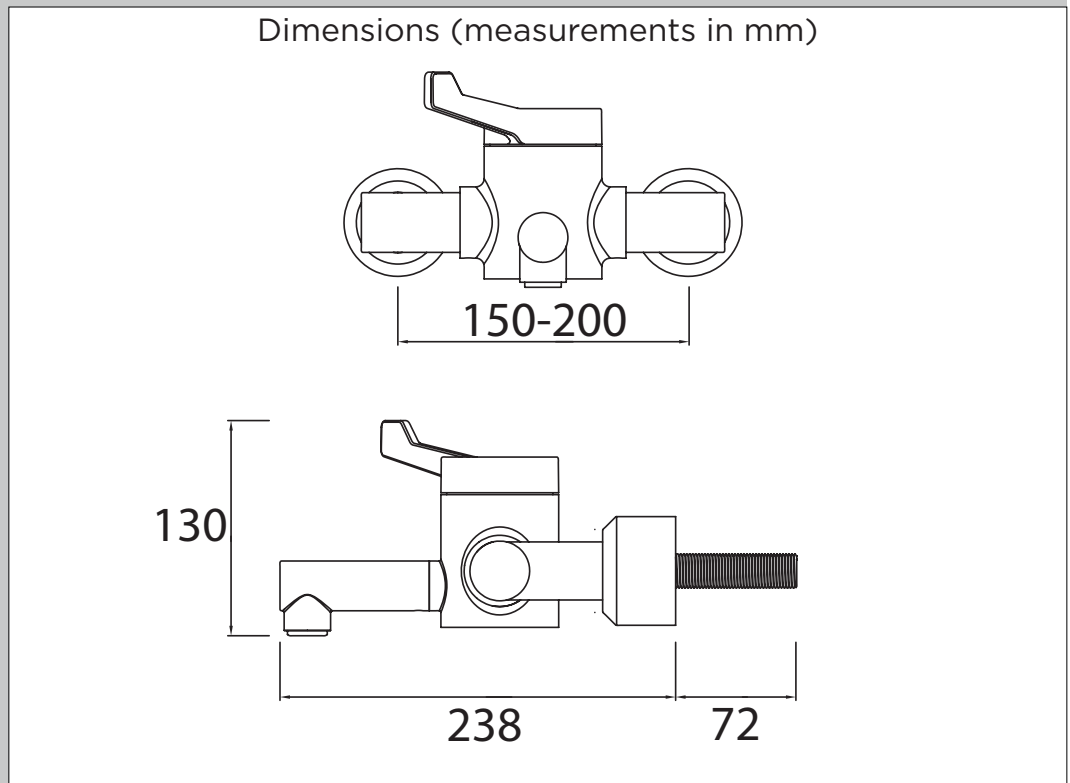
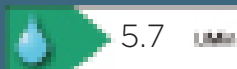
Product Certifications:

WRAS Certificate No: 1604006
WRAS Expiry Date: 30/04/2021



Complies with HTM04-01
Conforms to NHS D08 Standards

TMV3 Certificate: BC1652/1215
TMV3 Designation: HP-WE, LP-WE



Flow Rates (l/min)						
System Pressure (bar)	0.2	0.5	1	2	3	5
H64WMT2	1.5	2.6	3.9	5.1	5.7	5.7

For more products, visit our website:



TECHNICAL
DATA
SHEET



BRISTAN
TAPS & SHOWERS