

SOLO2-T3LL

COMMERCIAL Tap Range Solo 2 Basin Mixer with Long Lever and No Waste



Specification	
Style:	Contemporary
Product Type:	Commercial
Finish/Colour:	Chrome
Main Construction Material:	Brass
Mount Type:	Deck Mounted
Handle Type:	Lever
Connection Inlet:	15mm Compression Copper Tails
Number of Tap Holes Required:	1
Valve/Cartridge Type:	Thermostatic Cartridge
Plumbing System Suitability	All, ideally balanced
Working Pressure Range:	Min 0.2 Bar, Max 5.0 Bar
Maximum Hot Water Temperature: °c	60
Maximum Dynamic Pressure: (bar)	5
Maximum Static Pressure: (bar)	10
Flow Type:	Single Flow
Flow Rate: (l/min @ 3 bar)	5.1
Connection Outlet:	Open and Aerator Options
Isolation Included:	No

Features:

- Easy to use long lever single sequential control for temperature and flow
- Automatic thermostatic shut-off in the event of hot or cold water supply failure
- Above basin access to serviceable parts, limiting down time
- Supplied with copper tails

Product Certifications:

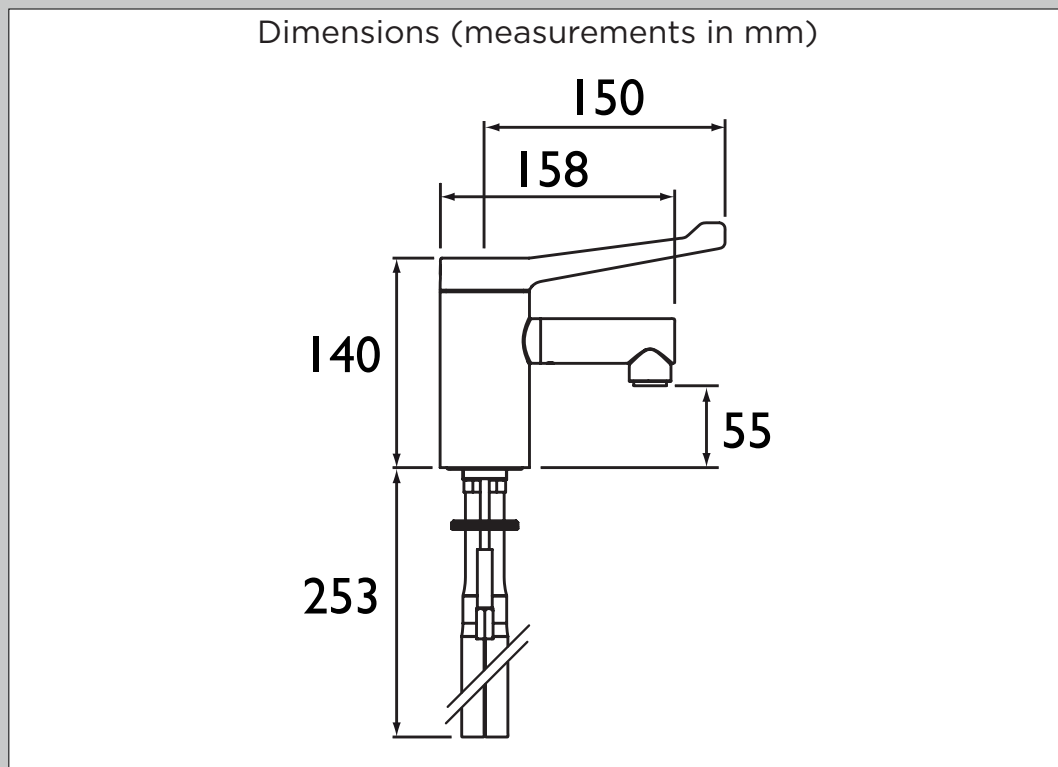
WRAS Certificate No: 1609024
WRAS Expiry Date: 30/09/2021



Complies with HTM04-01
Complies with NHS D08
Specifications



TMV3 Certificate No: BC1741/1116
TMV3 Designation:
HP-WE & LP-WE



Flow Rates (l/min)						
System Pressure (bar)	0.2	0.5	1	2	3	5
SOLO2-T3LL with Flow Regulators	2.2	2.2	4.1	4.1	4.4	4.6



For more products, visit our website:

TECHNICAL
DATA
SHEET



BRISTAN
TAPS & SHOWERS

D3