

# TECHNICAL DATASHEET

## COMMERCIAL

### Infrared Automatic Basin Spout

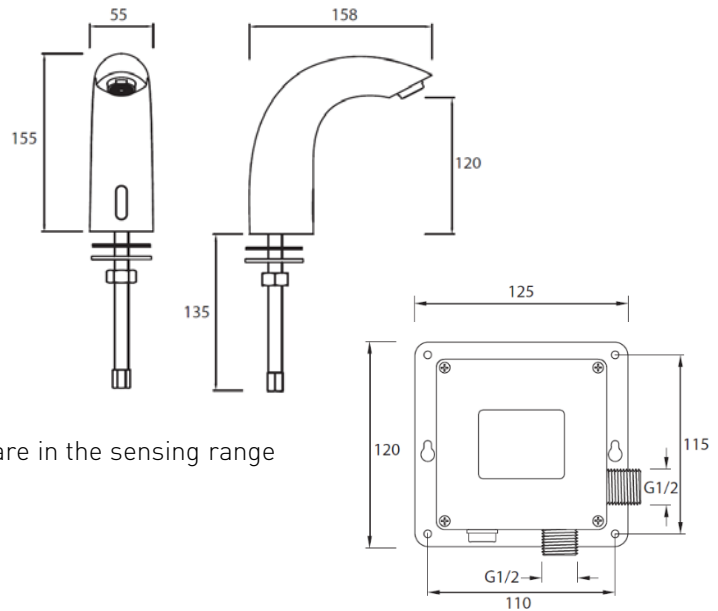
## Product Specification

|                    |  |
|--------------------|--|
| Product Code:      | IRBS1-CP   |
| Finish:            | Chrome   |
| Product Type:      | Commercial   |
| Construction:      | Body is of brass construction  |
| Power Supply:      | AC: 220V-240V, 50/60HZ<br>DC: 6V (4x AA alkaline batteries (not supplied)) |
| Supply:            | Suitable for high pressure systems   |
| Working Pressures: | Min 1.0bar, Max 5.0bar   |



## Additional Information

- 55 seconds (± 5 seconds) timed flow.
- 23-26cm sensing range.
- Power consumption: Static <0.3MW Active: <3MW.
- Inlet water supply temperature range: 5°C - 45°C.
- Battery override
- Low battery warning light
- Water efficient – Water will only flow when the hands are in the sensing range



## Flow Rates (litres per minute)

| System Pressure | 1bar | 2bar | 3bar | 4bar | 5bar |
|-----------------|------|------|------|------|------|
|                 | 3.8  | 4.9  | 4.8  | 5.1  | 5.3  |

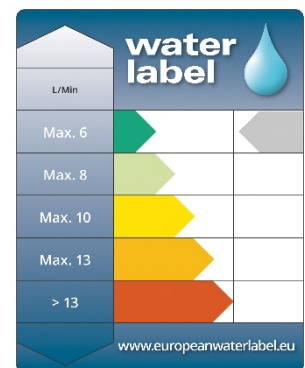
## Compliance / Approvals

BREEAM Compliant

WRAS Approval No: 1304068

**Technical Advice:** For further information please call 0844 7016273 or email [customer@bristan.com](mailto:customer@bristan.com)

**Guarantee:** 1 year covering manufacturing faults.



Bristan, Birch Coppice Business Park, Dordon, Tamworth, B78 1SG  
Telephone: 0844 701 6274 Facsimile: 0844 701 6275  
Web Site: [www.bristan.com](http://www.bristan.com) Email: [enquire@bristan.com](mailto:enquire@bristan.com)

