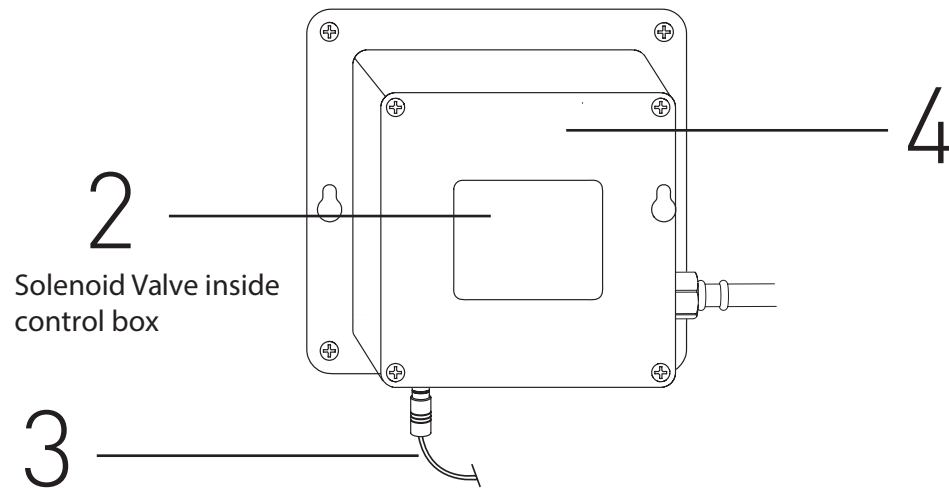
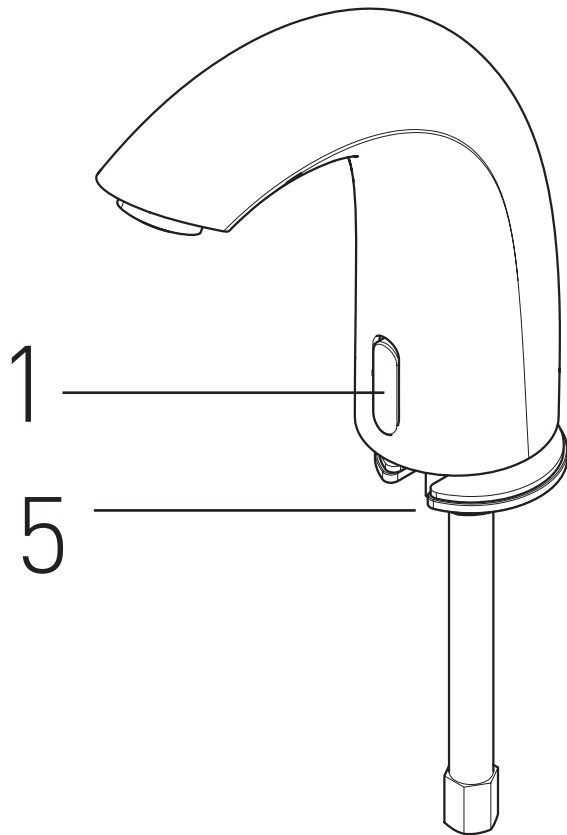


Product Code: IRBS1-CP

Revision: D2



1	Sensor
2	Solenoid Valve
3	Transformer
4	Control Box
5	Fixing Kit