

Z2 1/2 C

COMMERCIAL Tap Range Single Basin Soft Touch Timed Flow Tap



Specification	
Style:	Contemporary
Product Type:	Bathroom taps
Finish/Colour:	Chrome
Main Construction Material:	Brass
Mount Type:	Deck
Handle Type:	Push Button
Connection Inlet:	1/2" BSP
Number of Tap Holes Required:	1
Valve/Cartridge Type:	Self Closing Valve
Plumbing System Suitability	All
Working Pressure Range:	Min. 0.5 bar - Max. 5 bar
Maximum Hot Water Temperature: °c	65
Maximum Dynamic Pressure: (bar)	5
Maximum Static Pressure: (bar)	10
Flow Type:	Single flow
Flow Rate: (l/min @ 3 bar)	34
Connection Outlet:	Open
Isolation Included:	No

Features:

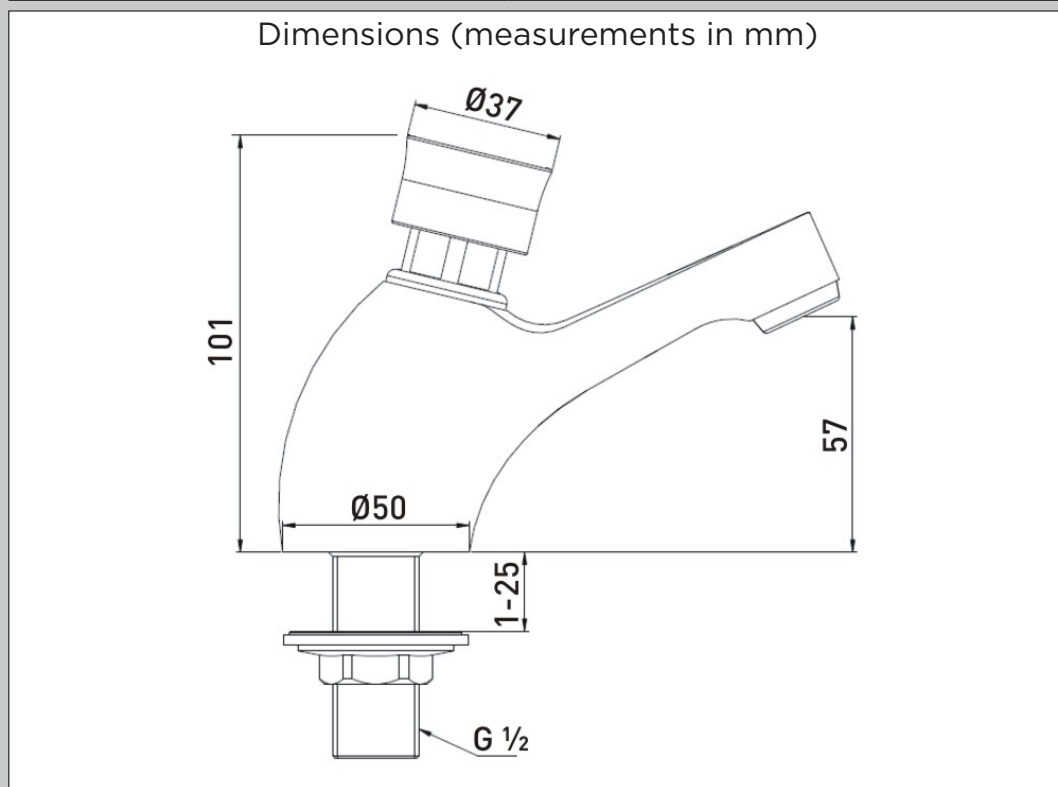
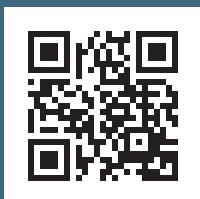
- Timed shut off to meet BS EN 816
- Soft touch east to use mechanism
- Supplied wirth both hot and cold indices
- Supplied with 5l/min flow regulator (not fitted)
- operates a minimum pressure of 0.5 bar

Product Certifications:

WRAS No: 1401911
WRAS Expiry Date: 31/01/2019



For more products, visit our website:



Flow Rates (l/min)						
System Pressure (bar)	0.2	0.5	1	2	3	5
Z2 1/2 C	0.5	14	21	29	34	44

TECHNICAL
DATA
SHEET



BRISTAN
TAPS & SHOWERS

D10