

# TECHNICAL DATA SHEET

## COMMERCIAL

### Single Soft Touch Timed Flow Tap

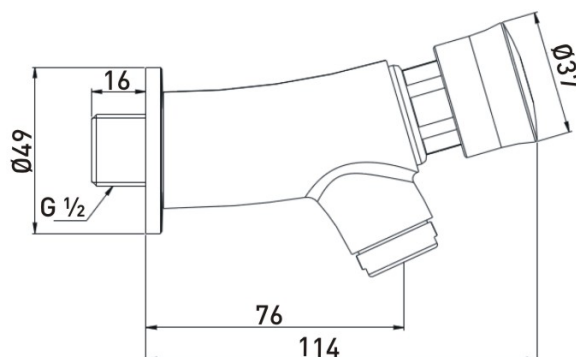
## Product Specification

Product Code:	Z2 BIB C
Finish:	Chrome
Product Type:	Utility
Construction:	Body is of brass construction and is designed to conform to BS EN 200
Valve Type:	Self closing valve
Supply:	Suitable for all plumbing systems
Inlet Connections:	½" BSP
Working Pressures:	Min 0.5bar, Max 5.0bar (with pressure reducing valve fitted)



## Additional Information

- Supplied with 5 l/min flow limiter (not fitted)
- Timed shut-off to meet BS EN 816
- Supplied with cold and hot indices for either installation.
- Chrome plated to BS EN 248.
- Soft touch easy to use mechanism
- For supply pressures over 3bar, a pressure reducing valve must be fitted



## Flow Rates (litres per minute)

System Pressure	0.5bar	1bar	2bar	3bar	4bar	5bar
Z2 BIB C (with flow regulator)	4.6	5.5	5.5	5.5	5.5	5.5
Z2 BIB C (without flow regulator)	13.3	18.81	26.6	32.58	37.62	42.06

## Compliance / Approvals

WRAS: Certificate No: 1401912

Technical Advice: For further information please call 0844 7016273 or email [customercare@bristan.com](mailto:customercare@bristan.com)

Guarantee: 1 year covering manufacturing faults.

