

MTV222 - MTV228 - MTV322

Manage and control the flow of water on your heating and domestic hot water systems

Benefits

- + Suitable for heating and domestic hot water systems.
- + Quick and easy to install.
- + Standard compression fittings dimensions.
- + Metal housing.
- + Quiet operation.
- + Minimal power consumption.
- + Industry standard wiring.



2 years
warranty



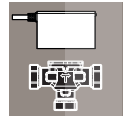
Suitable for all domestic
systems



MTV
online



Easy to install



Replaceable actuator

In a few words ...

The MTV series of two and three port motorised valves have been designed to manage and control the flow of water on your heating and domestic hot water systems.

The 2 port MTV normally closed models have end switches for electrical control of pump and/or boiler.

The 3 port midposition valve has been designed to control the flow of water in domestic central heating systems, where both radiator and hot water cylinder circuits are pumped.

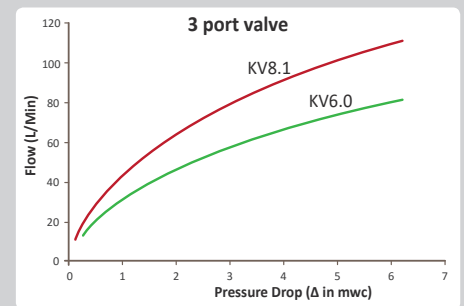
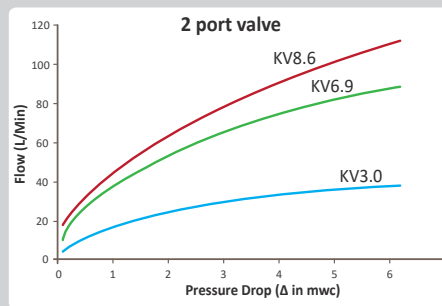
Features

- | 2 port version: Normally closed.
- | 3 port version: Midposition valve.
- | Spring return action.
- | Manual lever for filling & draining the system.
- | Actuator replaceable without draining down.
- | Potential free end switch for electrical control of pump and/or boiler.

Fittings

- | 2 port version available in 22mm and 28mm compression fittings.
- | 3 port version available in 22mm compression fittings.

Flow Characteristics



Technical specifications

MTV222 / MTV228:

- Voltage: 230V~ 50Hz.
- Power consumption: 6W.
- Cable length: 1m, 5 core with 'industry standard' colour coded wire.
- Valve is normally closed when there is no power.
- Max. static pressure 10.0 Bar.

MTV322:

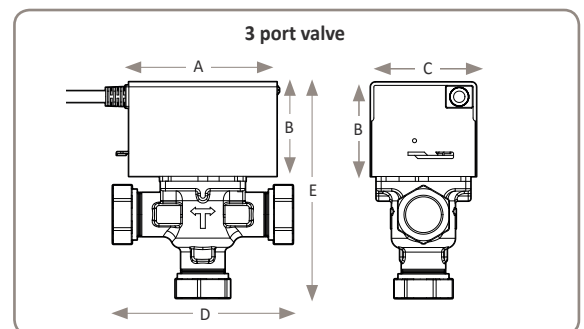
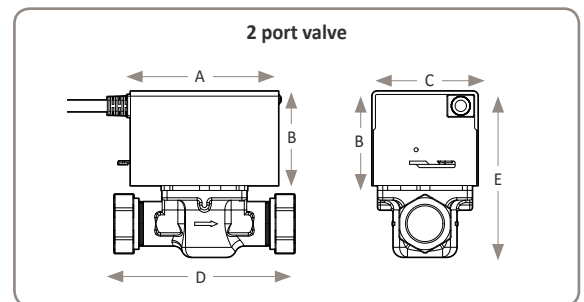
- Voltage: 230V~ 50Hz.
- Power consumption: 6W.
- Cable length: 1m, 5 core with 'industry standard' colour coded wire.
- Port A is normally closed when there is no power.
- Max. static pressure 10.0 Bar.

Standards:

EMC	LVD	ROHS
EN60730-1; EN60730-2-14	EN60730-1; EN60730-2-14; EN62311	EN50581

Environment:

- Fluid temperature: +5°C to +80°C.
- Max ambient temperature: +50°C.



Model	Reference	Designation	A (mm)	B (mm)	C (mm)	D (mm)	E (mm)
MTV222	MTV222a	2 port motorised valve 22mm compression	87	55	60	112	108
MTV228	MTV228a	2 port motorised valve 28mm compression	87	55	60	117	108
MTV322	MTV322a	3 port motorised valve 22mm compression	87	55	60	117	133