

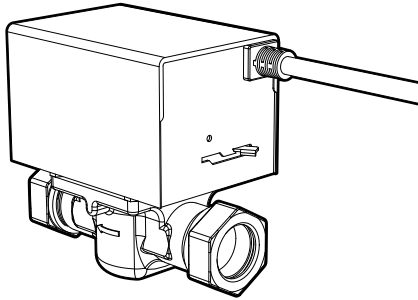
INSTALLATION INSTRUCTIONS

MTV222A

2 PORT ZONE VALVE SPRING RETURN,
22mm COMPRESSION FITTING

MTV228A

2 PORT ZONE VALVE SPRING RETURN,
28mm COMPRESSION FITTING

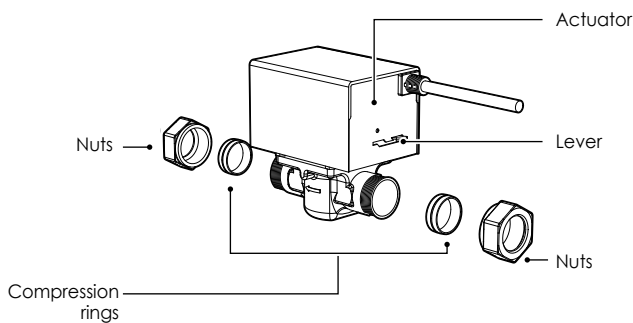


OVERVIEW

Thank you for choosing one of our products. These 2 port spring return zone valves have been designed to be used on central heating systems which when wired with room thermostat, cylinder thermostat and programmer will control the water flow from the boiler to hot water and central heating.



DIAGRAM



INSTALLATION OF THE VALVE

WARNINGS AND PRECAUTIONS



The valve must be installed with the arrow in the direction of the flow. Failure to do so will result in water hammer and potential premature failure.
Do not over tighten.
The valve can be mounted vertically or horizontally but must not be mounted so that valve head is below the horizontal level of pipe work.
Put the AUTO/MAN lever in MAN position when filling, venting or draining the system.

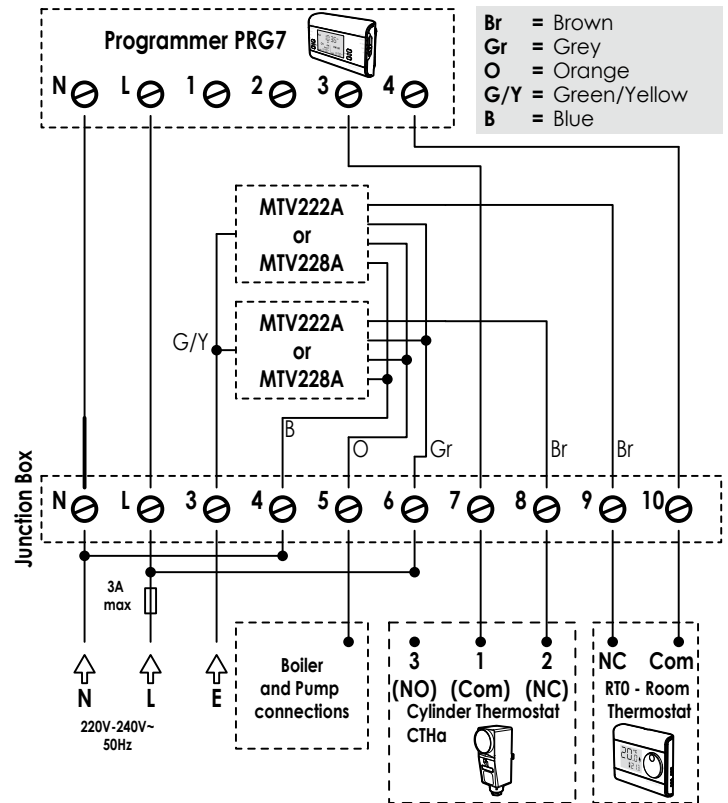
WIRING



All controls must be earthed. All valves must have a means of disconnection from electrical mains supply which incorporates a contact separation of at least 3mm in all poles.
All wiring must be carried out to IEE Regulations by a competent Electrician. The system must be appropriately fused.

Blue: Neutral
Brown: Live
Green & yellow: Earth
Orange: End switch out (auxiliary)
Grey: End switch in (auxiliary)

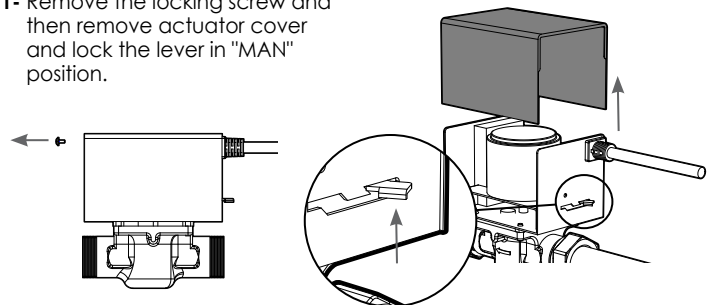
Typical circuit using two zone Valves
Programmer, Room and Cylinder Thermostat as control elements



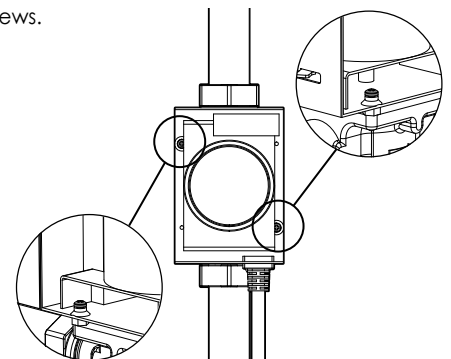
REPLACING ACTUATOR

REMOVAL

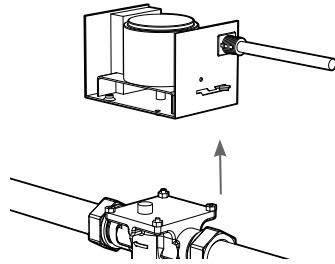
1- Remove the locking screw and then remove actuator cover and lock the lever in "MAN" position.



2- Loosen the 2 securing screws.



3- Lift actuator from valve body.



TECHNICAL SPECIFICATIONS

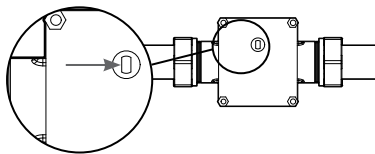
- Voltage: 230V~ 50Hz.
- Power consumption: 6W.
- Cable length: 1m, 5 core.
- Valve is normally closed when there is no power.
- Max. differential pressure for 22mm = 1Bar.
- Max. static pressure 10.0 Bar.

Environment :

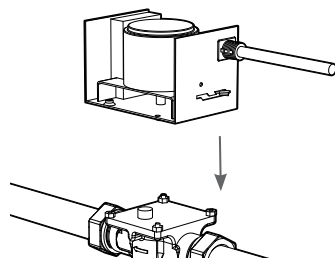
- Fluid temperature : +5°C to +80°C.
- Max ambient temperature : +50°C.

RE-FITTING

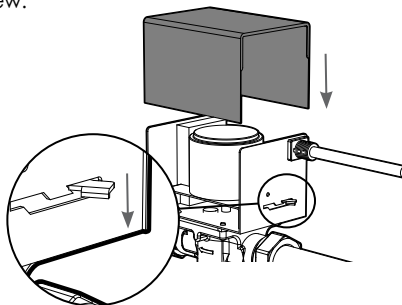
4- Ensure valve stem is in parallel position as indicated.




5- Push actuator onto valve and tighten 2 securing screws as indicated above.



6- Replace the cover and screw. Release lever and allow to travel back to "AUTO".



The  on the product indicates that you must dispose of it at the end of its useful life at a special recycling point, in accordance with European Directive WEEE 2012/19/EU. If you are replacing it, you can also return it to the retailer from which you buy the replacement equipment. Thus, it is not ordinary household waste. Recycling products enables us to protect the environment and to use less natural resources.

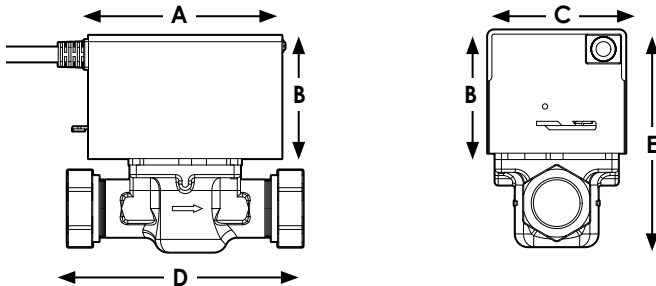
Compliance declaration: we hereby declare under our sole responsibility that the products described in these instructions comply with all the main requirements of the following directives and standards:

- EMC 2014/30/EU: EN 60730-1/EN 60730-2-14 +A1+A11+ A2
- LVD 2014/35/EU: EN 60730-1/EN 60730-2-14 + A1+A11 + A2 /EN 62311
- ROHS 2011/65/EU: EN 50581



DIMENSIONAL SPECIFICATIONS

Dimensions (in mm):

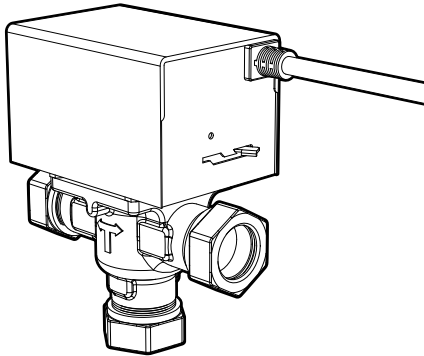


	MTV222 : 22mm compression fittings	MTV228 : 28mm compression fittings
A	87	87
B	55	55
C	60	60
D	112	117
E	108	108

INSTALLATION INSTRUCTIONS

MTV322A

3 PORT ZONE MID-POSITION VALVE,
22mm COMPRESSION FITTING

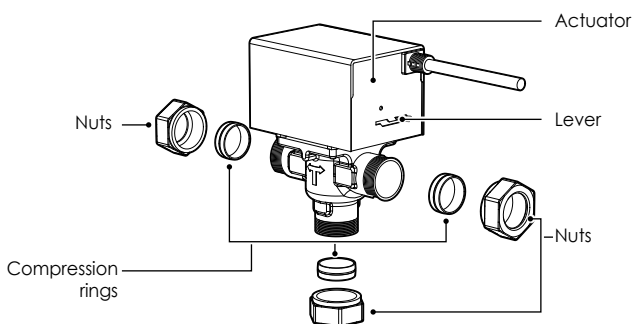


OVERVIEW

Thank you for choosing one of our products. This 3 port zone valve mid position have been designed to be used on central heating systems which when wired with room thermostat, cylinder thermostat and programmer will control the water flow from the boiler to either to hot water only, heating only or both simultaneously.



DIAGRAM



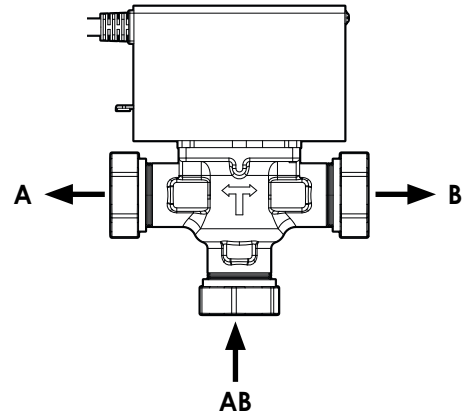
INSTALLATION OF THE VALVE

WARNINGS AND PRECAUTIONS



The valve must be installed according to instructions:

- AB = Flow from boiler
- A = Radiator circuit
- B = Hot water circuit



The valve can be mounted vertically or horizontally but must not be mounted so that valve head is below the horizontal level of pipe work. Put the AUTO/MAN lever in MAN position when filling, venting or draining the system. Do not over tighten.

WIRING

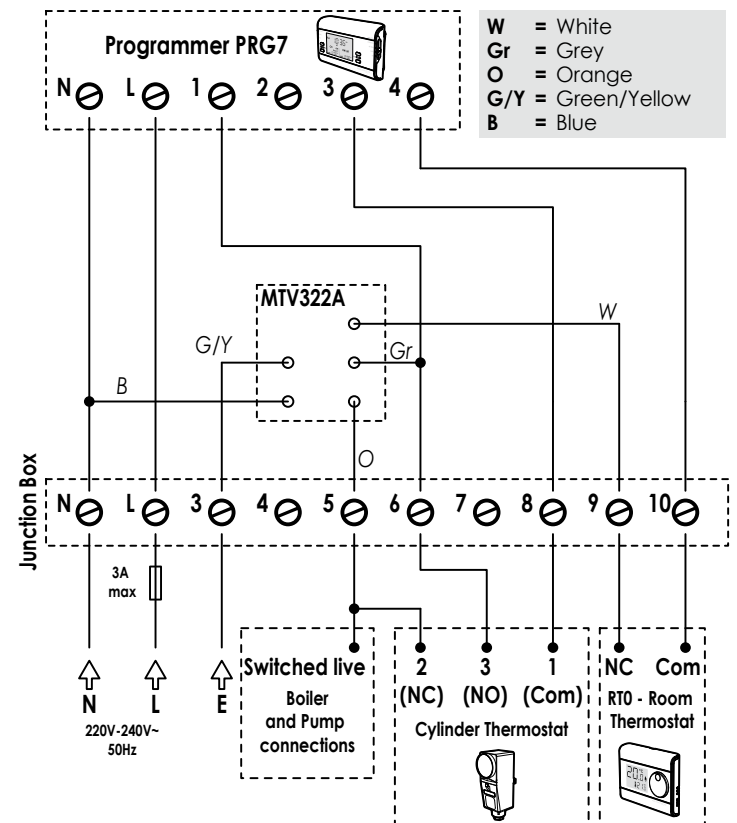


All controls must be earthed. All valves must have a means of disconnection from electrical mains supply which incorporates a contact separation of at least 3mm in all poles. All wiring must be carried out to IEE Regulations by a competent Electrician. The system must be appropriately fused.

- Blue: Neutral
- White: Heating on
- Grey: Hot water off
- Green & yellow: Earth
- Orange: Boiler and pump live

To use as diverter valve, isolate orange, connect white and grey together.

Mid position Valve
Typical circuit showing Programmer, Room and Cylinder Thermostat as control elements

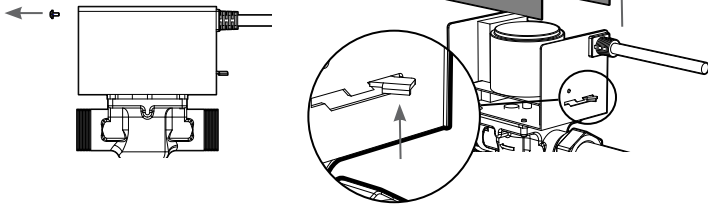




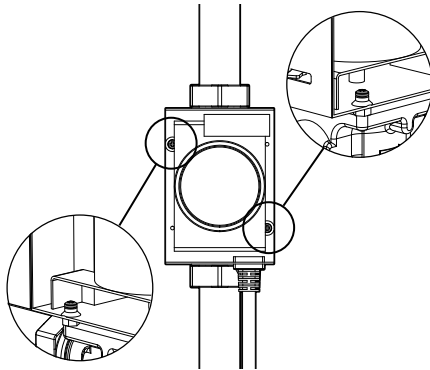
REPLACING ACTUATOR

REMOVAL

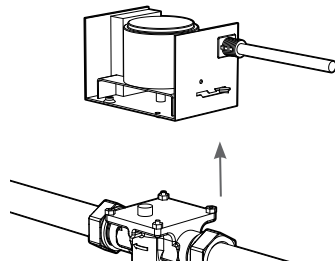
1- Remove the locking screw and then remove the actuator cover and lock the lever in "MAN" position.



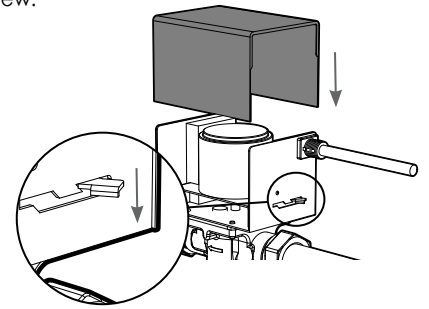
2- Loosen 2 securing screws.



3- Lift actuator from valve body.

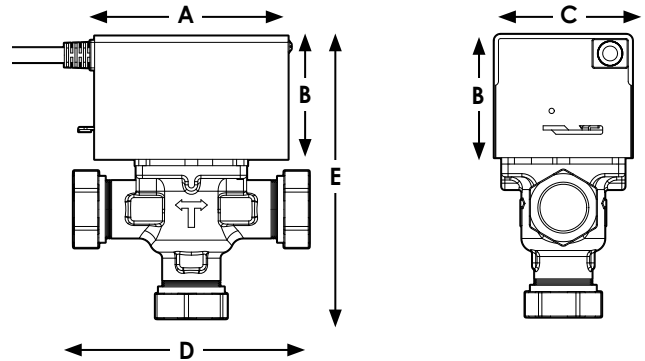


6- Replace the cover and screw. Release lever and allow to travel back to "AUTO".



DIMENSIONAL SPECIFICATIONS

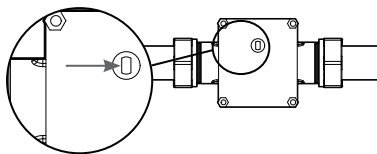
Dimensions (in mm):



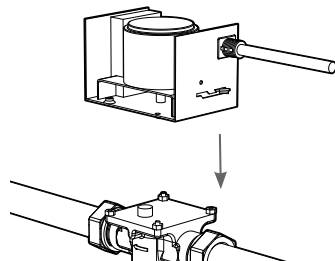
MTV322 : 22mm compression fittings	
A	87
B	55
C	60
D	117
E	133

RE-FITTING

4- Ensure valve stem in parallel position as indicated.



5- Push actuator onto valve and tighten 2 securing screws as indicated above.




TECHNICAL SPECIFICATIONS

- Voltage: 230V~ 50Hz.
- Power consumption: 6W.
- Cable length: 1m, 5 core.
- Port A is normally closed when there is no power.
- Max. differential pressure for 22mm = 1Bar.
- Max. static pressure 10.0 Bar.

Environment :

- Fluid temperature: +5°C to +80°C.
- Max ambient temperature: +50°C.

The  on the product indicates that you must dispose of it at the end of its useful life at a special recycling point, in accordance with European Directive WEEE 2012/19/EU. If you are replacing it, you can also return it to the retailer from which you buy the replacement equipment. Thus, it is not ordinary household waste. Recycling products enables us to protect the environment and to use less natural resources.

Compliance declaration: we hereby declare under our sole responsibility that the products described in these instructions comply with all the main requirements of the following directives and standards :

- EMC 2014/30/EU: EN 60730-1/EN 60730-2-14 +A1+A11+ A2
- LVD 2014/35/EU: EN 60730-1/EN 60730-2-14 + A1+A11 + A2 /EN 62311
- ROHS 2011/65/EU: EN 50581



www.neomitis.com



NEOMITIS

Creating innovative solutions for ambient comfort

NEOMITIS® LIMITED - 4th Floor, Lincoln House, 300 High Holborn, London WC1V 7JH
Registered in England and Wales No: 9543404

Tel: +44 (0) 2071 250 236 - Fax: +44 (0) 2071 250 267 - E-mail: contact_uk@neomitis.com