

GLL RAPSNK3 C

GALLERY Tap Range Gallery Rapid Boiling 3-in-1 Sink Mixer Chrome



Features:

- The latest in kitchen innovation, combining hot, cold and boiling water in one classic styled design. With build in safety features, this is a perfect addition to any kitchen
- Everything you need: tap, tails, tank, pressure reducing valve and filter included
- Safety: Handle requires button to be pushed before turning to dispense boiling water
- Safe to touch spout: Boiling water is stored in the tank not in the tap reducing the risk of scalding
- Quality: Hard wearing, flawless finish that lasts

Product Certifications:



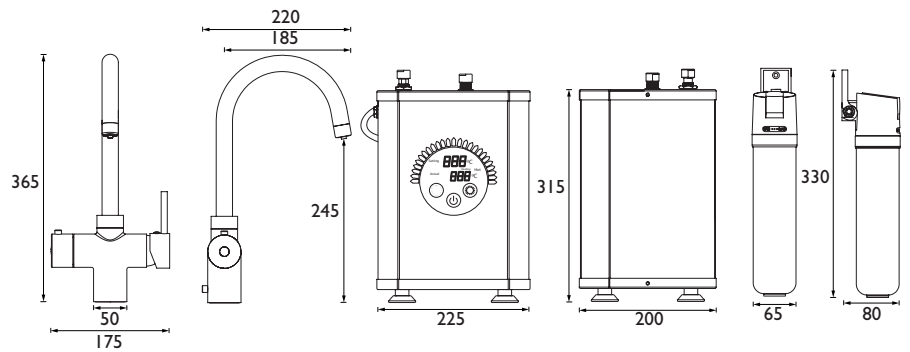
For more products, visit our website:
<http://www.bristan.com>



Specification

Product Type:	Kitchen Taps
Main Construction Material:	Brass; ABS
Mount Type:	Deck
Handle Type:	1 Lever Handle, 1 Spring-back Handle
Connection Inlet:	1/2" BSP Flexible Tails
Number of Tap Holes:	1
Tank Capacity:	2.4 litres
Temperature Settings:	7 Settings; Min: 75°C Max: 98°C
Plumbing System Requirements:	Suitable for high pressure systems only
Working Pressure Range:	Min: 1.5 bar Max: 3 bar
Maximum Hot Water Temperature: °C	65
Maximum Static Pressure: (bar)	3
Flow Type:	Dual
Isolation Included:	No
Power Rating:	1.4 - 1.5kW
Electrical Supply Requirements:	230-240V AC, 50 Hz, IPX4 Protection

Dimensions (measurements in mm)



Flow Rates (l/min)

System Pressure (bar)	1.5	2	3
GLL RAPSNK3 C (Mixed)	6.8	7.8	9.6
GLL RAPSNK3 C (Boiling Water)	2	2	2

TECHNICAL
DATA
SHEET



BRISTAN
TAPS & SHOWERS

D1