

GLL SKGLA1.5 BL

GLACIER Sink Range

Gallery Glacier Easyfit Sink 1.5 Bowl
Black Glass Left Drainer



Right Drainer Shown

Features:

- Easy installation: pre-fitted with Easyfit tap base, flexible inlet pipes and isolators
- Everything you need: strainer waste, overflow, pipework and fixings included
- Made to last: 8mm toughened glass with 304 grade 18/8 stainless steel base
- Includes cutting-hole template and quick installation guide
- 25 year guarantee (Easyfit base 5 years)

Product Certifications:



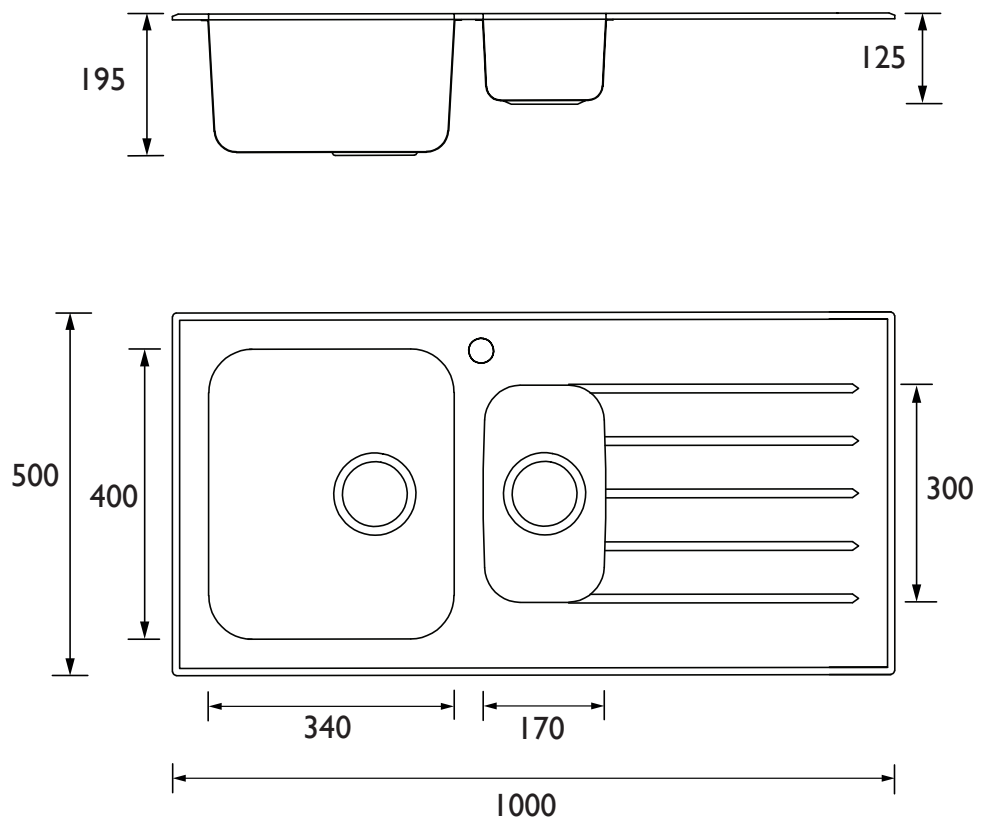
For more products, visit our website:
<http://www.bristan.com>



Specification

| | |
|-----------------------------|---------------------------|
| Main Construction Material: | Glass & Stainless Steel |
| Number of Tap Holes: | 1 |
| Product Finish: | Black and Stainless Steel |
| Sink Type: | 1.5 Bowl |
| Connection Inlet: | ½" BSP Flexi Tails |
| Connection Outlet: | G 1½" |
| Product Orientation: | Left Drainer |

Dimensions (measurements in mm)



Minimum Cabinet Width: 600mm

TECHNICAL
DATA
SHEET



Kitchen Sinks



Tap



Waste Kit

BRISTAN
TAPS & SHOWERS D1