

GLL SKQUA1 DL

QUARTZ Sink Range Gallery Quartz Easyfit Sink 1.0 Bowl Dawn Grey Left Drainer



Specification

Main Construction Material:	Composite Resin
Number of Tap Holes:	1
Product Finish:	Dawn Grey
Sink Type:	1 Bowl
Connection Inlet:	1/2" BSP Flexible Tails
Connection Outlet:	G 1 1/2"
Product Orientation:	Left Drainer
Drainage Flow Rate (litres per minute)	38.6

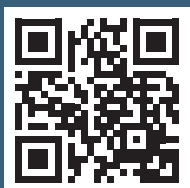
Features:

- Easy installation: pre-fitted with Easyfit tap base, flexible inlet pipes and isolators
- Everything you need: strainer waste, overflow, pipework and fixings included
- Made to last: Highly durable 80% Quartz, anti-bacterial composite material
- Includes cutting-hole template
- 25 year guarantee (Easyfit base 5 years)

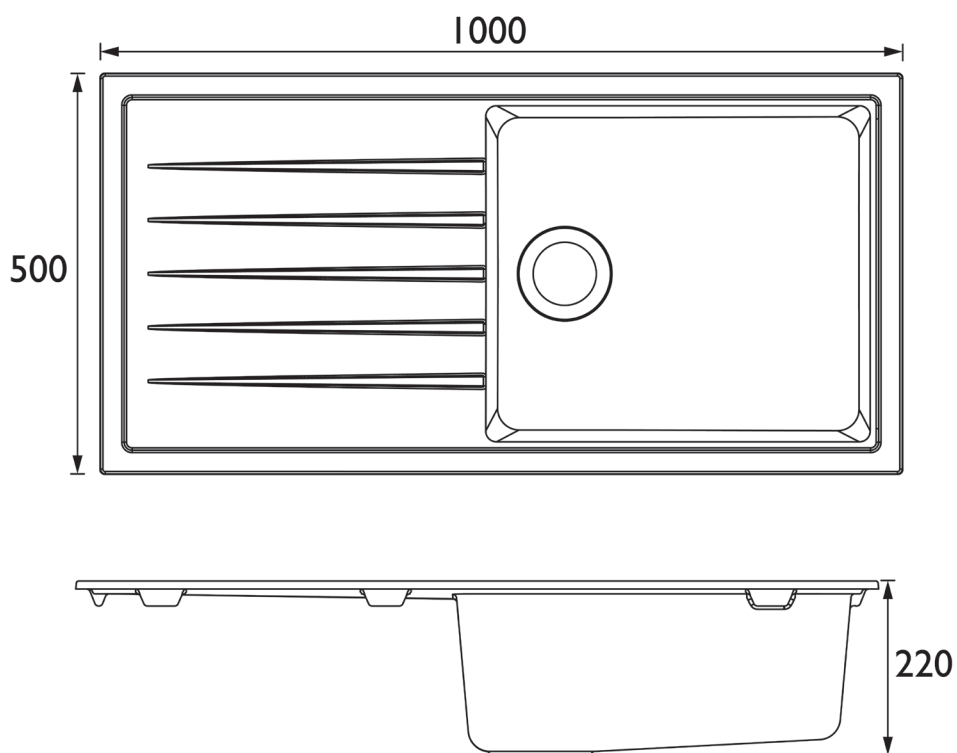
Product Certifications:



For more products, visit our website:
<http://www.bristan.com>



Dimensions (measurements in mm)



Minimum Cabinet Width: 600mm

TECHNICAL
DATA
SHEET



Kitchen Sinks



Tap



Waste Kit

BRISTAN
TAPS & SHOWERS D2