

TECHNICAL DATASHEET

BUZZ RIGID RISER BAR MIXER

BUZZ RIGID RISER BAR MIXER

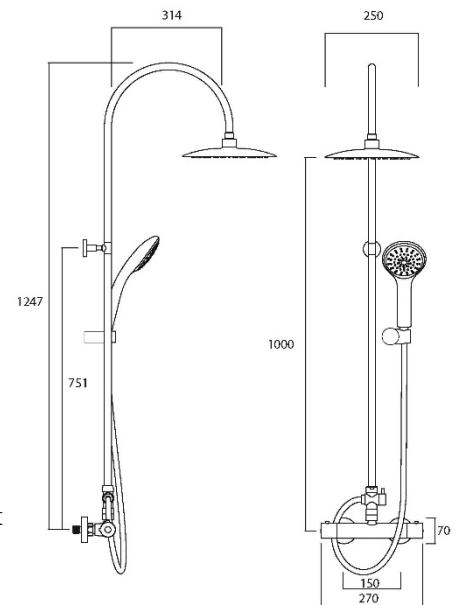
Product Specification

Product Code:	BUZ SHXDIVCTFF C
Finish:	Chrome
Product Type:	Contemporary
Construction:	Body is of brass construction
Cartridge Type:	Thermostatic Cartridge
Supply:	Suitable for all plumbing systems (Preferably balanced)
Inlet Connections:	15mm compression connections
Outlet Connection:	G 1/2"
Working Pressures:	Min 0.5bar, Max 5.0bar Maximum Static Pressure 10.0bar
Dimensions for Fitting:	150mm inlet centres



Additional Information

- Unique Cool Chrome technology ensures the bar valve stays cool to the touch while in use.
- Dual control – Flow and temperature are controlled separately, giving accurate control of both
- Factory set to a maximum of 38°C to eliminate the ability to select an unsafe temperature – this is adjustable to suit user preference and up to a maximum of 46°C.
- Flow control handle incorporates an eco button to save water, this can be overridden by the user.
- Supplied with WMNT10 C fast fit connections.
- Supplied with 1.5m hose, riser rail, hose retainer and single function handset with rub clean nozzles.
- Chrome plated to BS EN 248



Technical Advice: For further information please call 0844 7016273 or email customercare@bristan.com

Guarantee: 5 years covering manufacturing faults.

Compliance/Approvals

Manufactured to comply with WRAS

FlowRates (litres per minute)

System Pressure (bar)	0.5	1.0	2.0	3.0	4.0	5.0
Open Outlet	3.0	4.3	6.0	7.8	9.0	10.0

Bristan, Birch Coppice Business Park, Dordon, Tamworth, B78 1SG
 Telephone: 0844 701 6274 Facsimile: 0844 701 6275
 Web Site: www.bristan.com Email: enquire@bristan.com



Guarantee

Delivery

0844 7016273