



# Welcome

KANE458

Flue Gas Analyser with  
direct CO<sub>2</sub> measurement  
& CO sensor 'over-range'  
protection

Quick reference guide



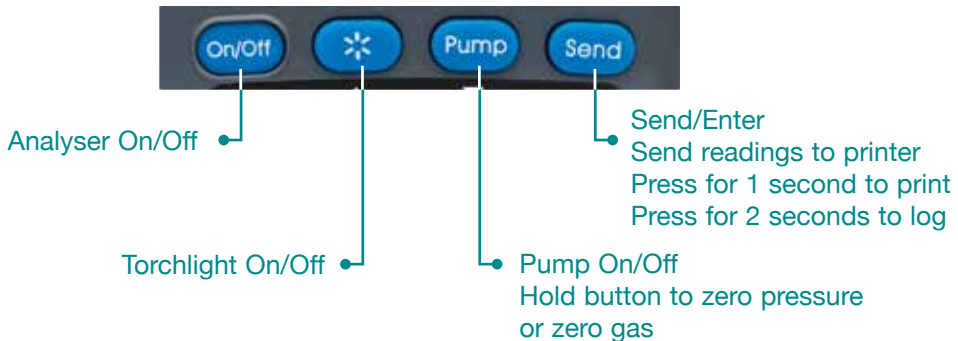
# Hello

## KANE458 getting started

- 1 Know your KANE458
- 2 Connections
- 3 Before use
- 4 Product registration

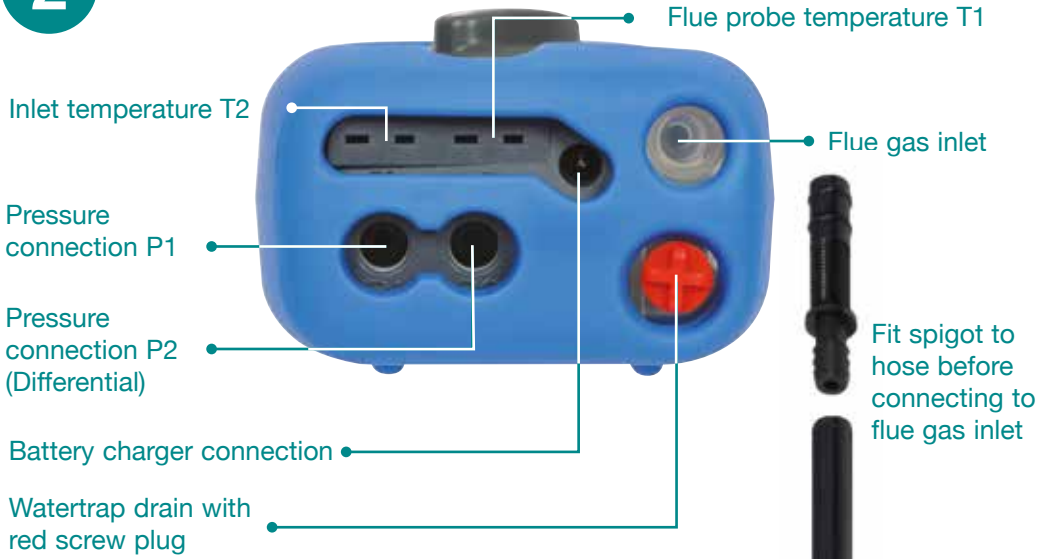
### 1

## Know your KANE458



## 2

### Connections



## 3

### Before use

#### Check

Particle filter is not dirty; Water trap and flue probe are empty of water; Water trap and red screw plug are fitted to analyser; Flue probe hose is connected to flue gas inlet; Flue probe temperature plug is connected to T1 temperature connection

#### Fresh air purge

Position flue probe in fresh air & press "On/Off"  
Analyser auto-calibrates within 90 seconds  
Select "Ratio" on dial. In fresh air CO reading = 0ppm  
Select "O<sub>2</sub>/Eff" on dial. In fresh air O<sub>2</sub> reading = 20.9%  
Select "Status" on dial to view

#### For best pressure sensor accuracy

Switch analyser on for 5 minutes to let temperature stabilise  
Zero pressure sensor when analyser in exact position it will be used

#### To charge NiMH rechargeable batteries

Switch off  
Connect the charger; charging indicator illuminates  
Display shows "BATTERY CHARGING" if batteries need charging

4

## Please register

We really want you to register your Kane analyser at [www.kane.co.uk](http://www.kane.co.uk)

Benefits include:



Download full instruction manual



Automatic reminder when time to Service – Calibrate – Recertify



Fixed prices always visible



Simple online procedure to arrange to Service - Calibrate - Recertify ensures fastest turnaround times possible



Easy access to your calibration certificate & service history



Easy to report your analyser stolen



Product specific information & resources in one place



For the full instruction manual please register your analyser at [www.kane.co.uk](http://www.kane.co.uk)



UK Sales Line

**01707 384810**

Outside UK Call **+44 1707 375550**

Fax: 01707 393277

Email: [sales@kane.co.uk](mailto:sales@kane.co.uk)

### Northern Customer Service Kane International Ltd

Gibfield Park Avenue, Atherton,

Manchester, M46 0SY, UK

Tel: +44 (0) 1942 873434

Fax: +44 (0) 1942 873558

Email: [nservice@kane.co.uk](mailto:nservice@kane.co.uk)

### Southern & International Customer Service Kane International Ltd

Kane House, 11 Bessemer Road,

Welwyn Garden City, Hertfordshire, AL7 1GF, UK

Tel: +44 (0) 1707 384834

Fax: +44 (0) 1707 384833

Email: [sservice@kane.co.uk](mailto:sservice@kane.co.uk)

Follow us on...

