

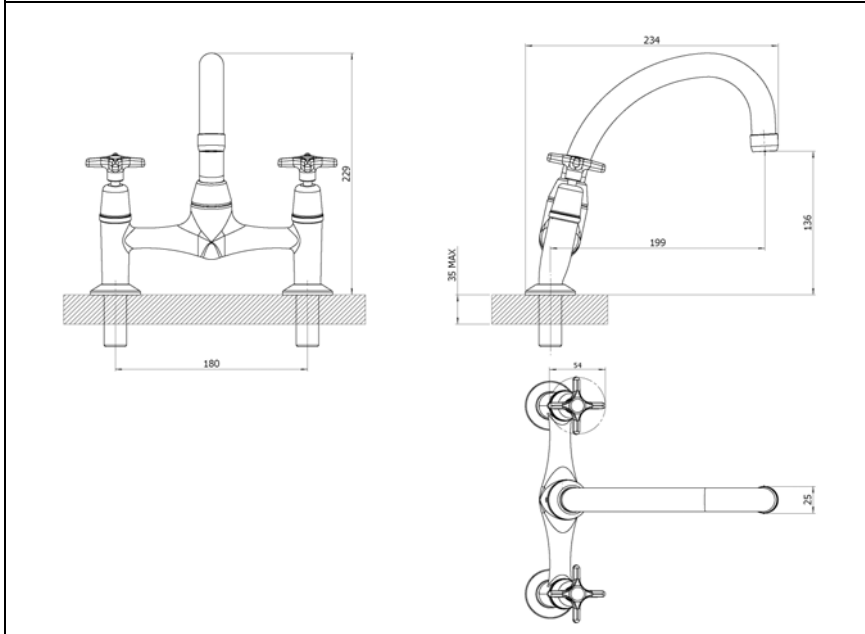


CROSS TOP

320007 – 2523 KITCHEN MIXER

Performa

BY COMAP



Specification	
Finish	Chrome
Body	Brass
Fittings	Metal backnut & washer
Connection	1/2" BSP threaded tail
Min dynamic pressure	0.1
Max dynamic pressure	6
Max static pressure	25
Max water temperature	85°C

Flow rates				
Pressure	0.1	0.5	1	3
L/min	8.3	28.3	41.7	75.1

All Pressures are in Bar.
 Dimensions supplied are nominal and subject to tolerance.
 Inclusion of aerator (if supplied) or restrictors (sold separately unless stated) will affect flow rate result.
 Performance details are based on trials under test conditions and for guidance only.
 The Company reserves the right to change product specification without prior notice.

Features & Benefits

Guarantee	Low Pressure	Inlet Tail	Dual Flow

Certifications

Tested at 0.2 bar	