

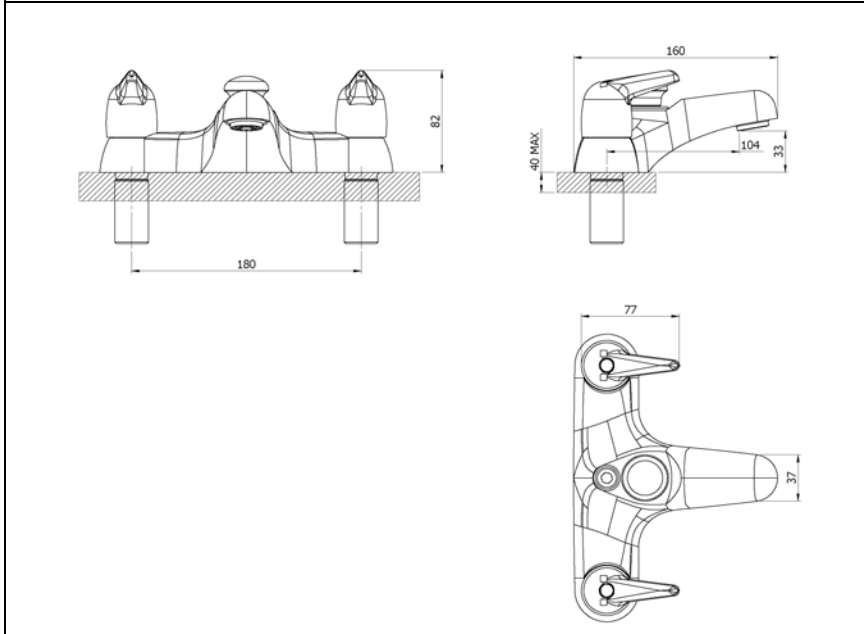


LEGER

4B7005 – L550 BSM

Performa

BY **COMAP**



Specification

Finish	Chrome
Body	Brass
Fittings	Metal backnut & washer
Connection	3/4" BSP threaded tail
Min dynamic pressure	0.1
Max dynamic pressure	6
Max static pressure	25
Max water temperature	60°C

Flow rates

Pressure	0.1	0.5	1	3
L/min	10.5	35.6	52.4	94.6

All Pressures are in Bar.
 Dimensions supplied are nominal and subject to tolerance.
 Inclusion of aerator (if supplied) or restrictors (sold separately unless stated) will affect flow rate result.
 Performance details are based on trials under test conditions and for guidance only.
 The Company reserves the right to change product specification without prior notice.

Features & Benefits

 5 YEAR Guarantee	 L Low Pressure	 Inlet Tail	 Single Flow
 Thermostatic Valve			

Certifications

1703011 - March 22	Tested at 0.2 bar