

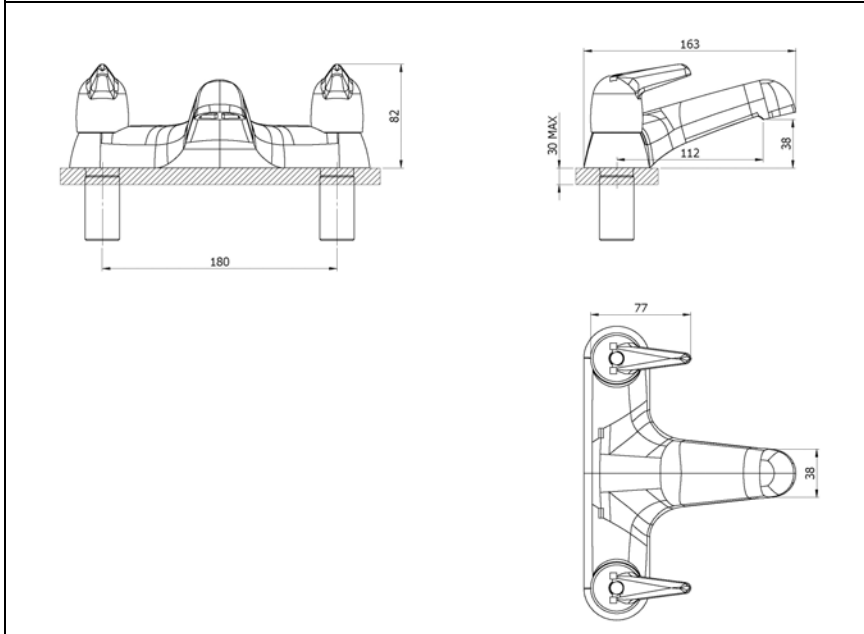


LEGER

4B7006 – L557 BATH FILLER

Performa

BY COMAP



Specification	
Finish	Chrome
Body	Brass
Fittings	Metal backnut & washer
Connection	3/4" BSP threaded tail
Min dynamic pressure	0.1
Max dynamic pressure	6
Max static pressure	25
Max water temperature	85°C

Flow rates				
Pressure	0.1	0.5	1	3
L/min	13	43.5	65	118

All Pressures are in Bar.
 Dimensions supplied are nominal and subject to tolerance.
 Inclusion of aerator (if supplied) or restrictors (sold separately unless stated) will affect flow rate result.
 Performance details are based on trials under test conditions and for guidance only.
 The Company reserves the right to change product specification without prior notice.

Features & Benefits

5 YEAR Guarantee	L Low Pressure	 Inlet Tail	 Single Flow

Certifications

1703031 - March 22	Tested at 0.2 bar