

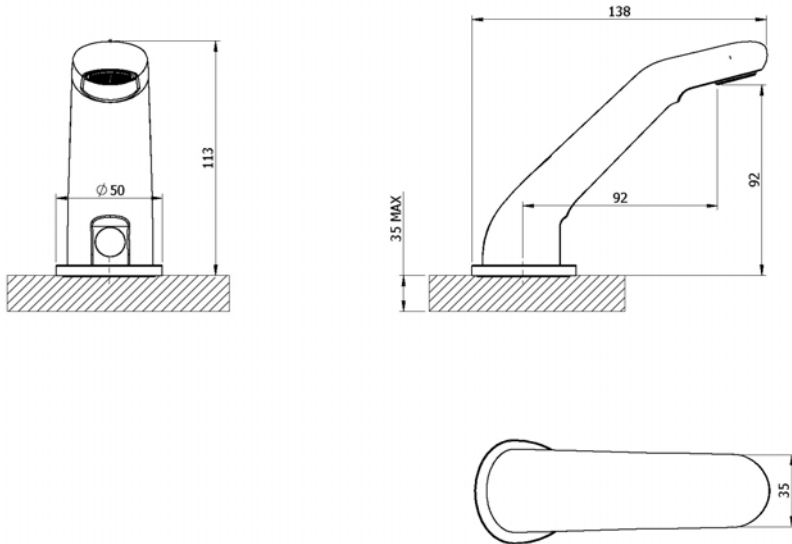


SENSOR TAPS

343050 – DECK CAPACITIVE

Performa

BY COMAP



Specification

Finish	Chrome
Body	Brass
Fittings	Metal plate, stud & locking nut
Connection	M12 – DN6 flexible hoses with 1/2" BSP threaded ends
Min dynamic pressure	0.1
Max dynamic pressure	6
Max static pressure	16
Max water temperature	60°C

Flow rates

Pressure	0.1	0.5	1	3
L/min	1.2	4.1	5.6	5.7

All Pressures are in Bar.
 Dimensions supplied are nominal and subject to tolerance.
 Inclusion of aerator (if supplied) or restrictors (sold separately unless stated) will affect flow rate result.
 Performance details are based on trials under test conditions and for guidance only.
 The Company reserves the right to change product specification without prior notice.

Certifications

1704013 - April 22	Tested at 0.2 bar

Features & Benefits

 Guarantee	 Low Pressure	 Flexible Hose	 Flow Aerator
 Single Flow			