

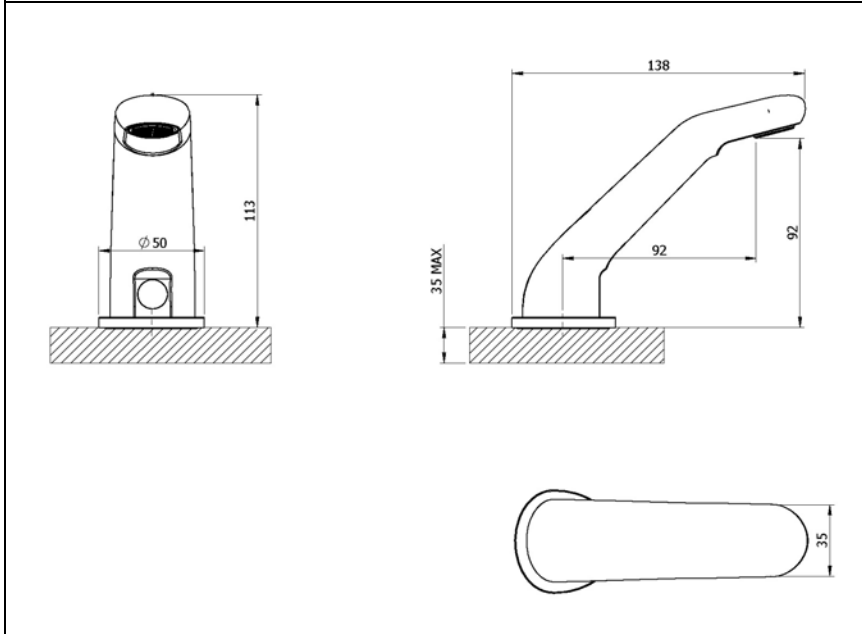


SENSOR TAPS

343053 – DECK INFRARED MAINS

Performa

BY COMAP



| Specification | |
|-----------------------|--|
| Finish | Chrome |
| Body | Brass |
| Fittings | Metal plate, stud & locking nut |
| Connection | M12 – DN6 flexible hoses with 1/2" BSP threaded ends |
| Min dynamic pressure | 0.1 |
| Max dynamic pressure | 6 |
| Max static pressure | 16 |
| Max water temperature | 60°C |

| Flow rates | | | | |
|------------|-----|-----|-----|-----|
| Pressure | 0.1 | 0.5 | 1 | 3 |
| L/min | 1.2 | 4.2 | 5.6 | 5.8 |

All Pressures are in Bar.
 Dimensions supplied are nominal and subject to tolerance.
 Inclusion of aerator (if supplied) or restrictors (sold separately unless stated) will affect flow rate result.
 Performance details are based on trials under test conditions and for guidance only.
 The Company reserves the right to change product specification without prior notice.

Features & Benefits

| | | | |
|----------------------------|-----------------------|-------------------|------------------|
| 5 YEAR Guarantee | L Low Pressure | Flexible Hose | Flow Aerator |
| Single Flow | | | |

Certifications

| | |
|--------------------|-------------------|
| | |
| 1704013 - April 22 | Tested at 0.2 bar |