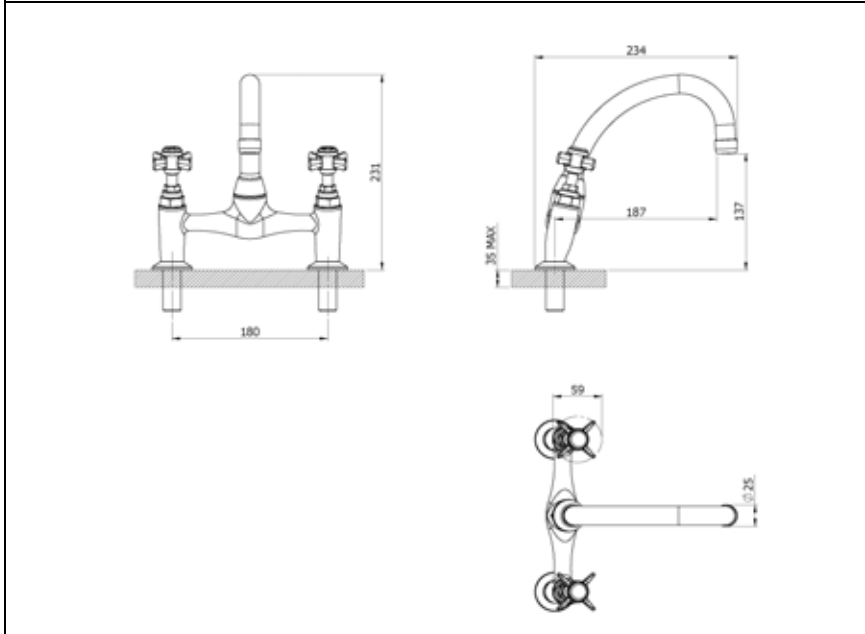




SEQUEL

486001 – PILLAR MOUNTED KITCHEN MIXER







Specification	
Finish	Chrome
Body	Brass
Fittings	Metal backnut & washer
Connection	½" BSP threaded tail
Min dynamic pressure	0.1
Max dynamic pressure	6
Max static pressure	25
Max water temperature	60°C


Flow rates				
Pressure	0.1	0.5	1	3
L/min	11.5	36.9	53.9	95.4

All Pressures are in Bar.
 Dimensions supplied are nominal and subject to tolerance.
 Inclusion of aerator (if supplied) or restrictors (sold separately unless stated) will affect flow rate result.
 Performance details are based on trials under test conditions and for guidance only.
 The Company reserves the right to change product specification without prior notice.

Features & Benefits

 10 YEAR Guarantee	 L Low Pressure	 Inlet Tail	 Dual Flow

Certifications

 21.9 l/min	
Tested at 0.2 bar	