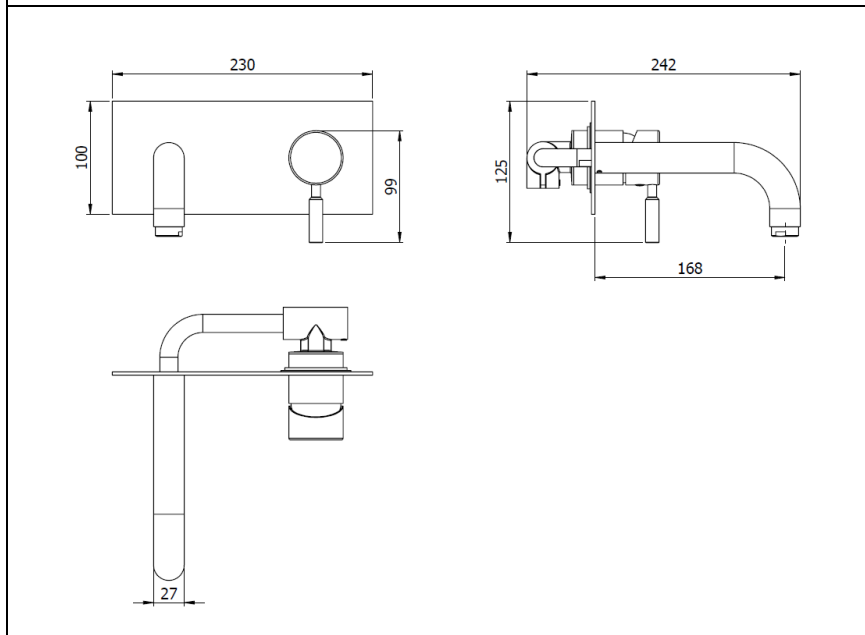




Francis Pegler
BY COMAP

VISIO

4K4003 – WALL MOUNTED MONO BASIN MIXER



Specification	
Finish	Chrome Plate
Body	Brass
Fittings	
Connection	
Min dynamic pressure	0.1
Max dynamic pressure	6
Max static pressure	25
Max water temperature	60°C

Flow rates				
Pressure	0.1	0.5	1	3
L/min	2.9	10.5	15.3	27.6

All Pressures are in Bar.
 Dimensions supplied are nominal and subject to tolerance.
 Inclusion of aerator (if supplied) or restrictors (sold separately unless stated) will affect flow rate result.
 Performance details are based on trials under test conditions and for guidance only.
 The Company reserves the right to change product specification without prior notice.

Features & Benefits

 Guarantee	 Low Pressure	 Flexible Hose	 Click Waste
 Flow Straightener	 Flow Aerator	 Single Flow	

Certifications

Tested @ 0.2 bar	