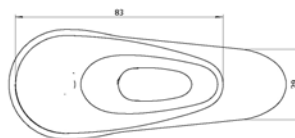
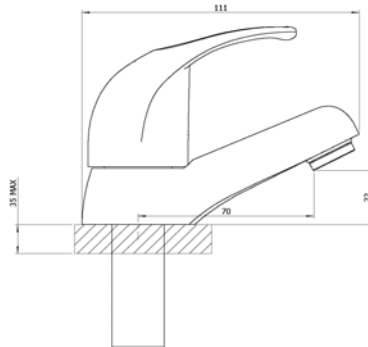
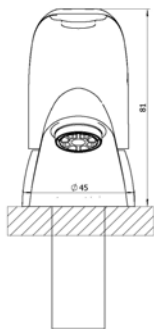




**Francis
Pegler**
BY COMAP

IZZI

4G4091 – BASIN TAP PAIR



Specification

Finish	Chrome
Body	Brass
Fittings	Metal backnut & washer
Connection	½" BSP threaded tail
Min dynamic pressure	0.1
Max dynamic pressure	6
Max static pressure	16
Max water temperature	85°C

Flow rates

Pressure	0.1	0.5	1	3
L/min	7.6	23.7	34.6	62.2

All Pressures are in Bar.
 Dimensions supplied are nominal and subject to tolerance.
 Inclusion of aerator (if supplied) or restrictors (sold separately unless stated) will affect flow rate result.
 Performance details are based on trials under test conditions and for guidance only.
 The Company reserves the right to change product specification without prior notice.

Features & Benefits



Guarantee



Low Pressure



Inlet Tail



Flow Straightener



Single Flow

Certifications



1710032 - Oct 22

Tested at 0.2 bar