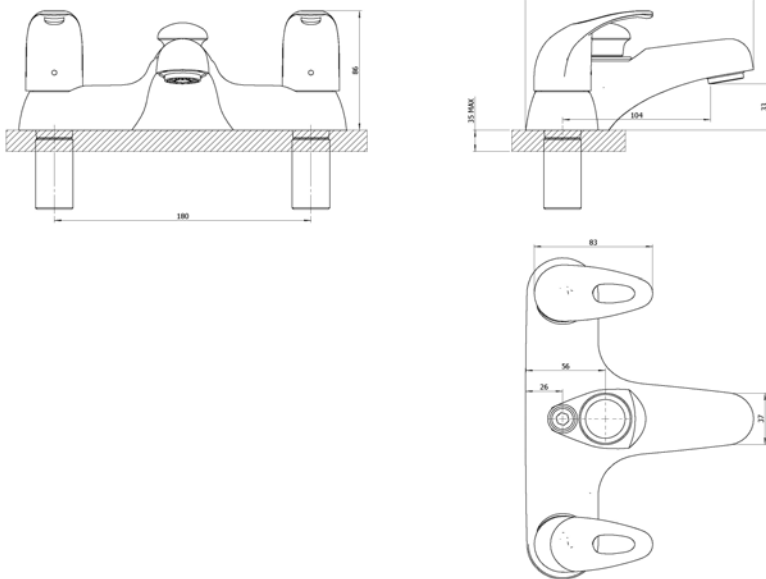




Francis Pegler
BY COMAP

IZZI

4G4097 – DECK MOUNTED BSM



Specification

Finish	Chrome
Body	Brass
Fittings	Metal backnut & washer
Connection	3/4" BSP threaded tail
Min dynamic pressure	0.1
Max dynamic pressure	6
Max static pressure	25
Max water temperature	60°C

Flow rates

Pressure	0.1	0.5	1	3
L/min	10.5	35.6	52.4	94.6

All Pressures are in Bar.
Dimensions supplied are nominal and subject to tolerance.
Inclusion of aerator (if supplied) or restrictors (sold separately unless stated) will affect flow rate result.
Performance details are based on trials under test conditions and for guidance only.
The Company reserves the right to change product specification without prior notice.

Certifications

1807010 - July 23	Tested at 0.2 bar

Features & Benefits

 Guarantee	 Low Pressure	 Inlet Tail	 Shower Kit Included
 Dual Flow			

