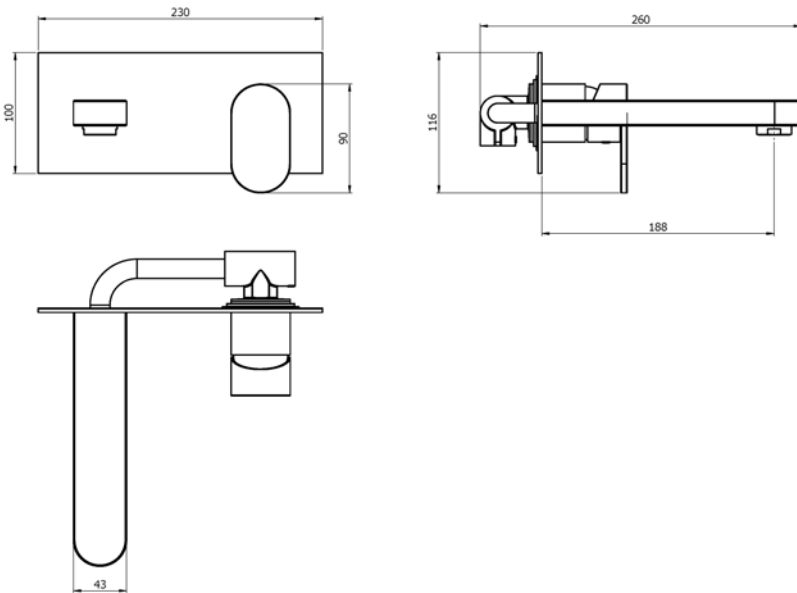




Francis Pegler
BY COMAP

STRATA BLADE

4K6057 – WALL MONO BATH FILLER



Specification

Finish	Chrome
Body	Brass
Fittings	N/A
Connection	½" BSP threaded tail
Min dynamic pressure	0.4
Max dynamic pressure	6
Max static pressure	16
Max water temperature	60°C

Flow rates

Pressure	0.1	0.5	1	3
L/min	2.6	10.5	15.4	28.1

All Pressures are in Bar.
Dimensions supplied are nominal and subject to tolerance.
Inclusion of aerator (if supplied) or restrictors (sold separately unless stated) will affect flow rate result.
Performance details are based on trials under test conditions and for guidance only.
The Company reserves the right to change product specification without prior notice.

Features & Benefits



10
YEAR
Guarantee



H
High Pressure



Flow
Straightener



Single Flow

Certifications



Tested at 3 bar