

TECHNICAL DATA SHEET



PRISM

1 Hole Bath Shower Mixer

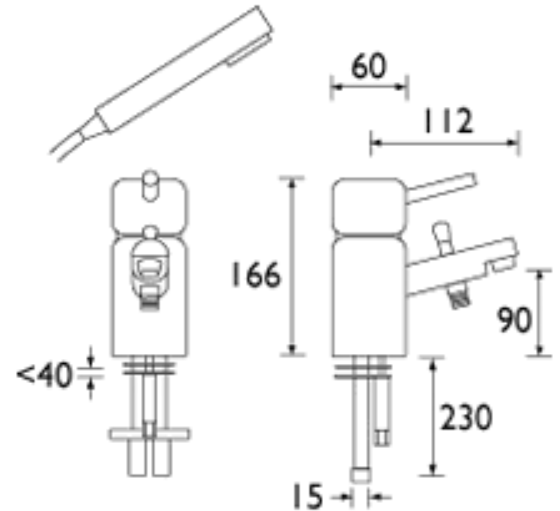
Product Specification

Product Code: PM 1HBSM C
Finish: Chrome
Product Type: Contemporary
Construction: Body is of Brass Construction and is designed to conform to BS EN 817
Valve Type: 45mm Ceramic Cartridge
Supply: Suitable for all plumbing systems, preferably balanced
Inlet Connections: M15 x 15mm Screw-in Copper Pipes
Water Pressure: Min 0.5 bar, Max. 8.0 bar



Additional Information

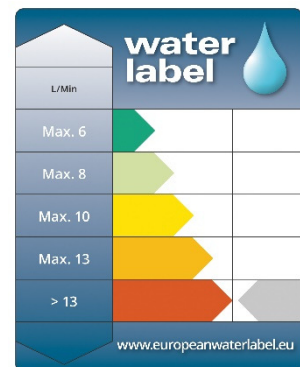
- Supplied with metal handle
- Includes 1.75m hose, handset holder and single function rub clean handset
- Chrome plated to BS EN 248



Flow Rates (litres per minute)

System Pressure	0.5bar	1.0bar	2.0bar	3.0bar	5.0bar
Bath Filler (Mixed)	17.9	25.3	35.8	43.85	56.61
Through Handset	9.5	13.9	20.2	24.74	31.94

Technical Advice: For further information please call 0844 7016273 or email customercare@bristan.com
Guarantee: 5 years covering manufacturing faults.



Bristan, Birch Coppice Business Park, Dordon, Tamworth, B78 1SG
 Telephone: 0844 701 6274 Facsimile: 0844 701 6275
 Web Site: www.bristan.com Email: enquire@bristan.com



The information contained on this page was correct at date of issue. Fitting dimensions are provided as a guide only. Some variation may occur due to manufacturing tolerances. Bristan pursues a policy of continuing improvement in design and performance of its products and so reserves the right to change specifications without prior notice.