

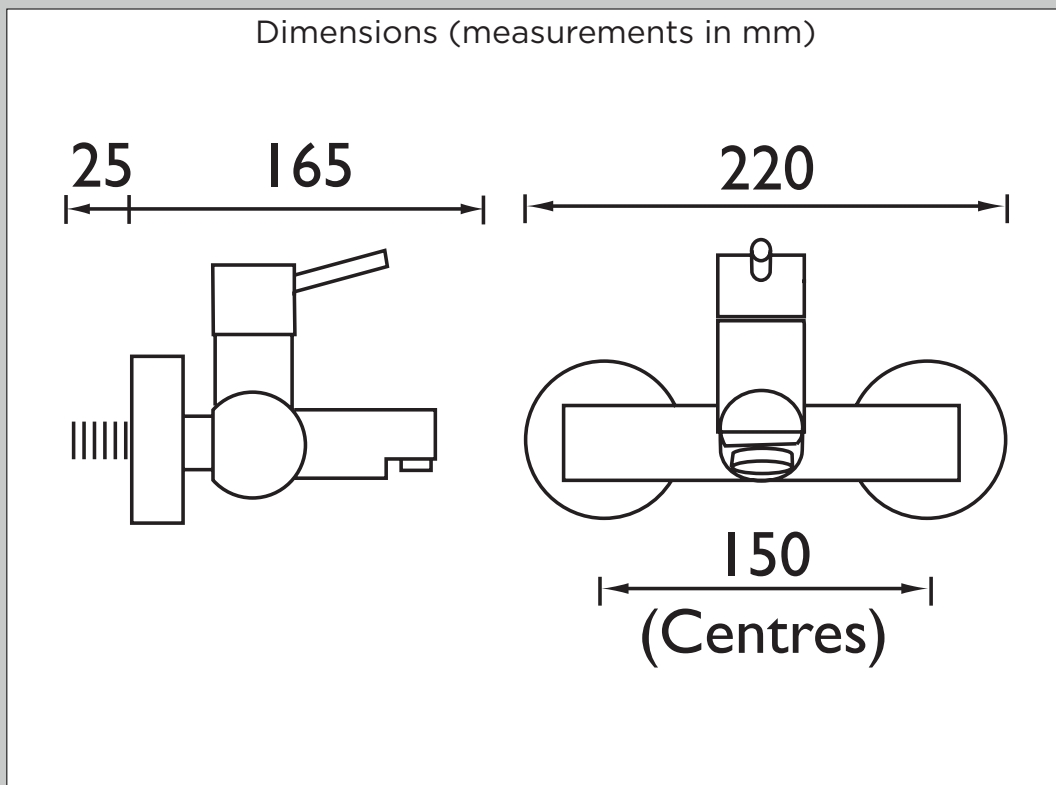


Specification	
Style:	Contemporary
Product Type:	Bathroom Taps
Finish/Colour:	Chrome
Main Construction Material:	Brass
Mount Type:	Wall Mounted
Handle Type:	Lever
Connection Inlet:	3/4" BSP
Number of Tap Holes Required:	2
Valve/Cartridge Type:	40mm Ceramic Cartridge
Plumbing System Suitability	High Pressure Systems Only
Working Pressure Range:	Min 1.0 bar, Max 5.0 bar
Maximum Hot Water Temperature: °c	65
Maximum Dynamic Pressure: (bar)	5
Maximum Static Pressure: (bar)	10
Flow Type:	Single Flow
Flow Rate: (l/min @ 3 bar)	31.6
Connection Outlet:	M28 Flow Straightener
Isolation Included:	No

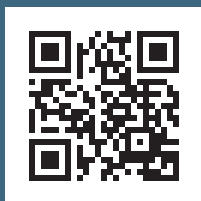
Features:

- Ceramic disc cartridge for smooth temperature and flow control
- Easy-to-use lever handle
- Requires minimum operating pressure 1 bar

Product Certifications:



For more products, visit our website:



Flow Rates (l/min)					
System Pressure (bar)	1	2	3	4	5
PM WMBF C (Mixed)	18.4	25.8	31.6	36.5	40.8

TECHNICAL
DATA
SHEET



BRISTAN
TAPS & SHOWERS