

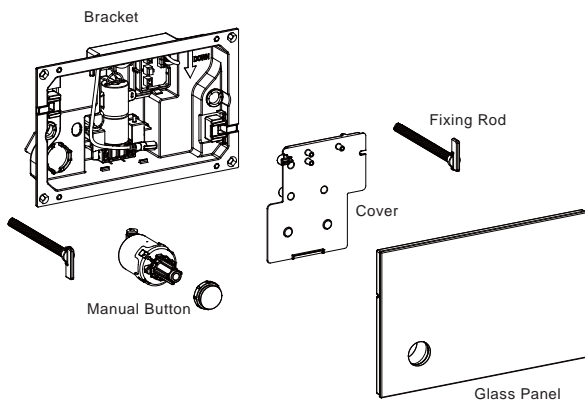
installation instructions
K5501E-Q Actuator Plate

Safety Notes

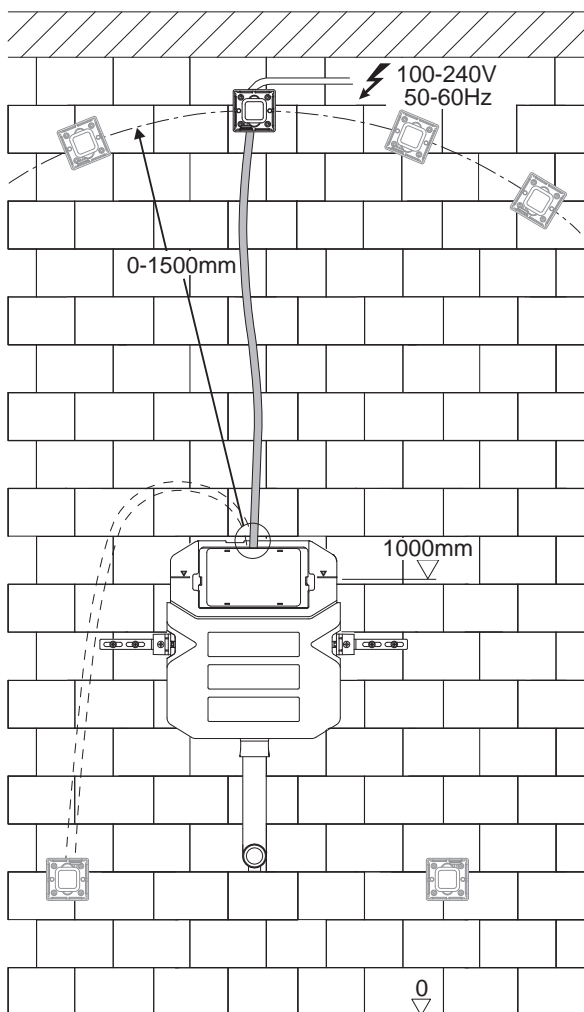
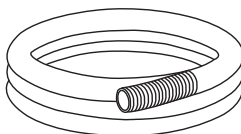
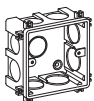
- If there is any indication of damage or faults, do not open and attempt to repair the actuator plate yourself; call in a skilled person.
- Repairs may only be carried out by skilled persons using original spare parts and accessories.
- Do not modify the actuator plate or add any additional modules.
- Operation and care may only be performed by the operator or user as described in these operating instructions.

Product Range

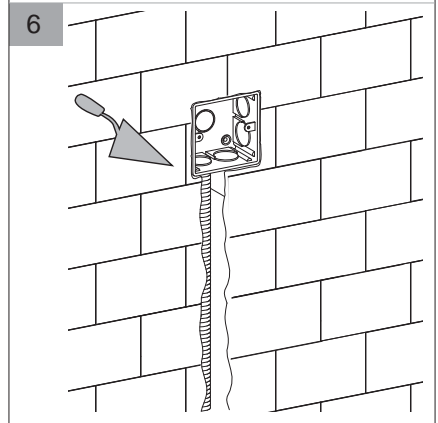
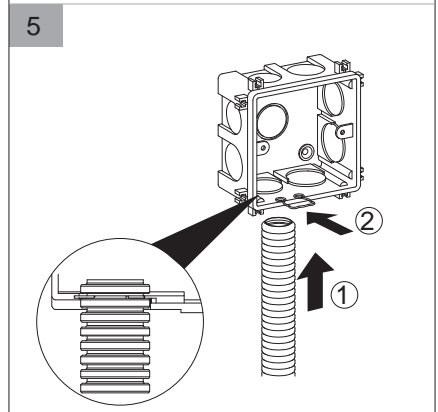
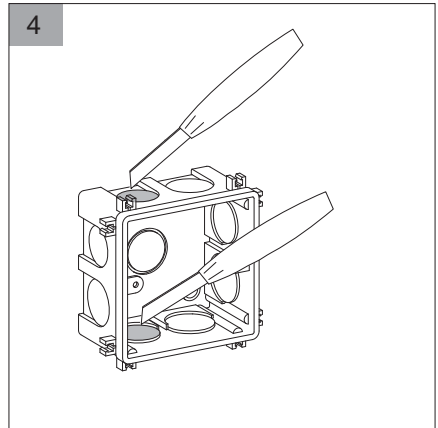
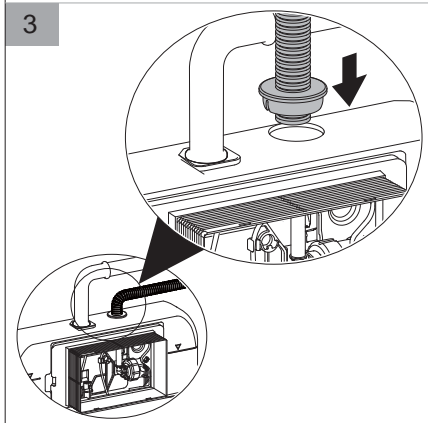
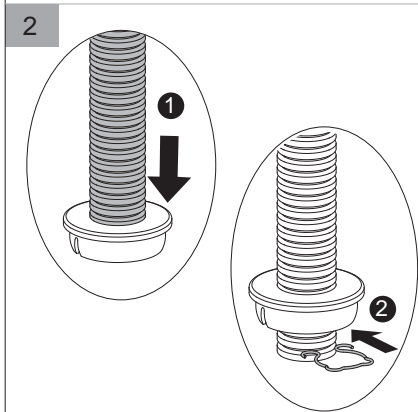
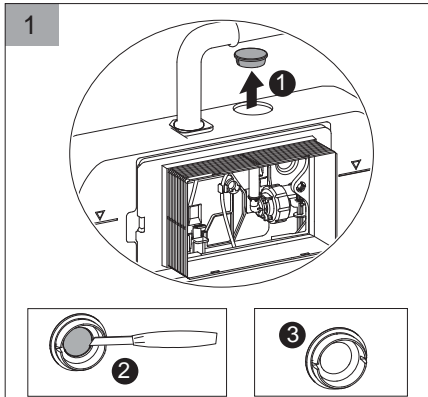
K5501E-Q actuator plate



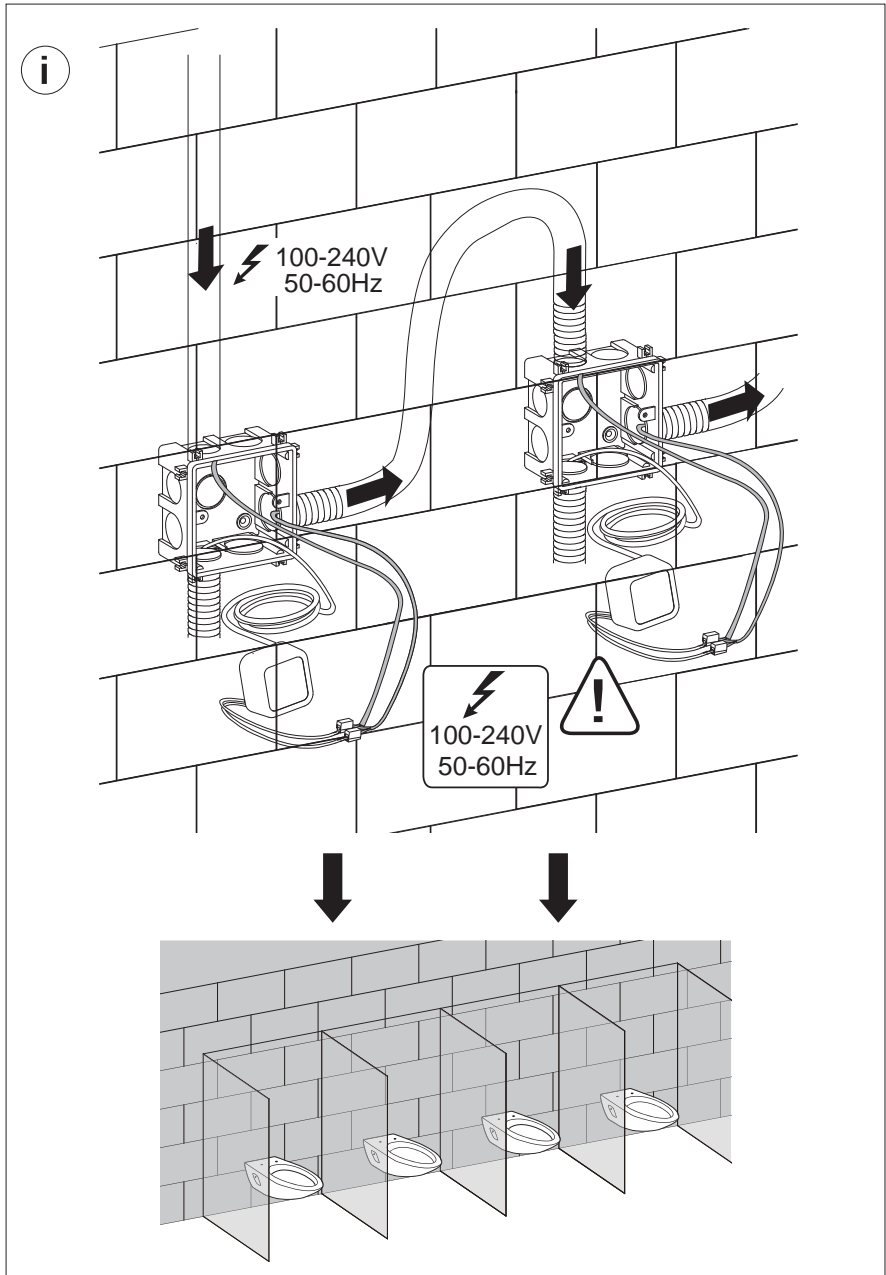
Installation



Installation

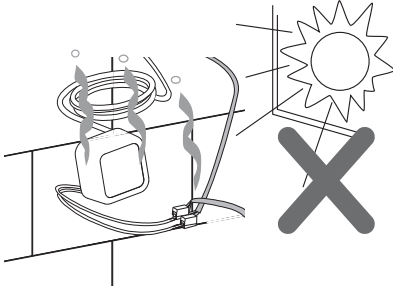


Installation

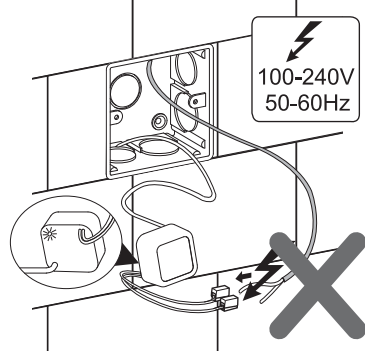


Safety Instruction

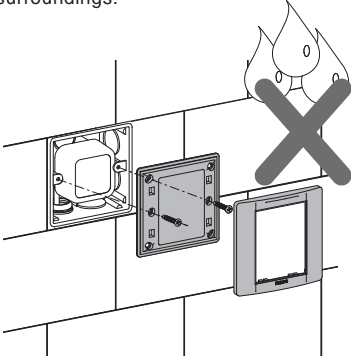
The adaptor can't be installed exposed, especially under the sunlight.



Any operation is disallowed when adaptor is connected to power supply.

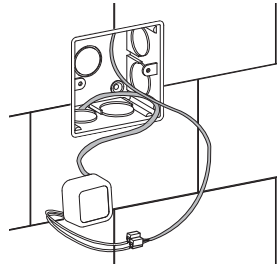


The adaptor can't be installed in wet surroundings.

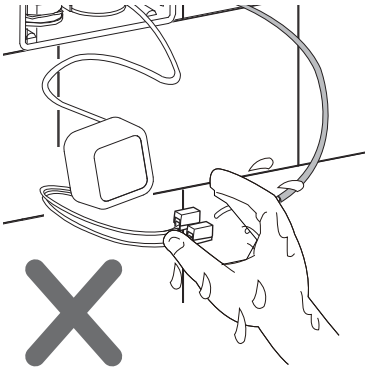


The size of cable should be 1.0-2.5mm² and the wire connector should be connected firmly.

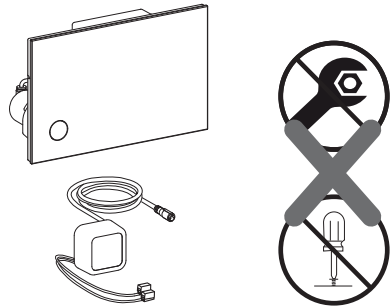
CAUTION:
Be sure not to place adaptor in an inflammable box (for example a wooden box).



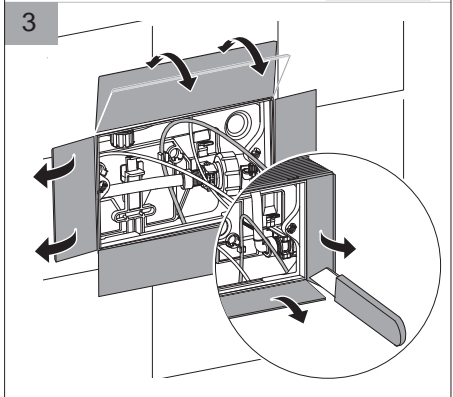
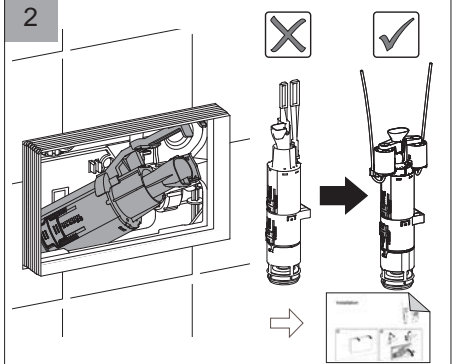
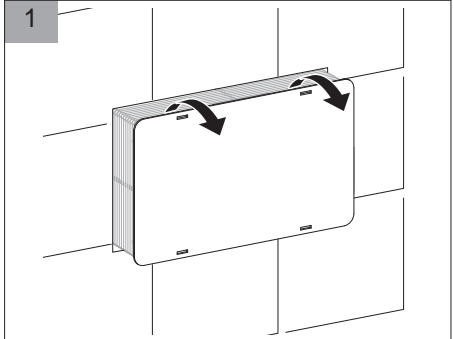
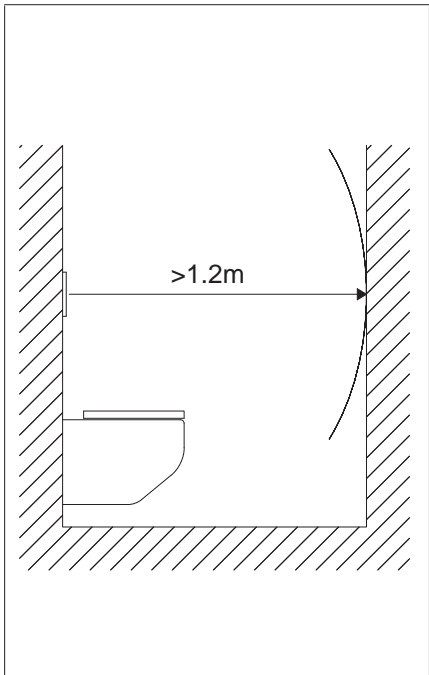
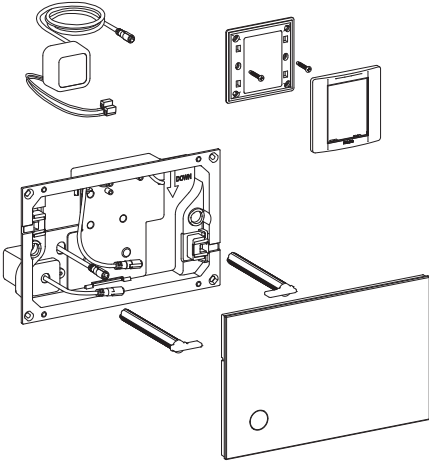
Operation with wet hands is forbidden.



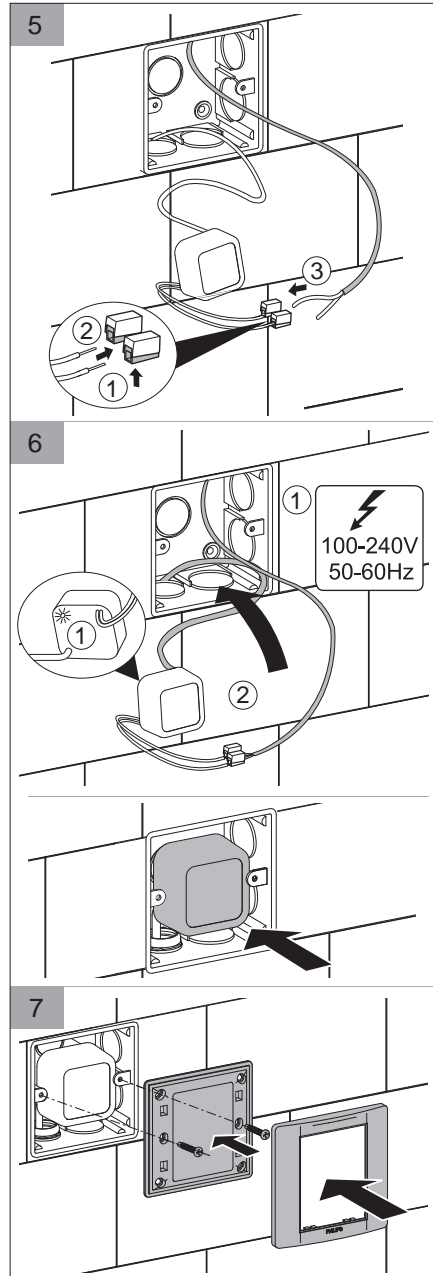
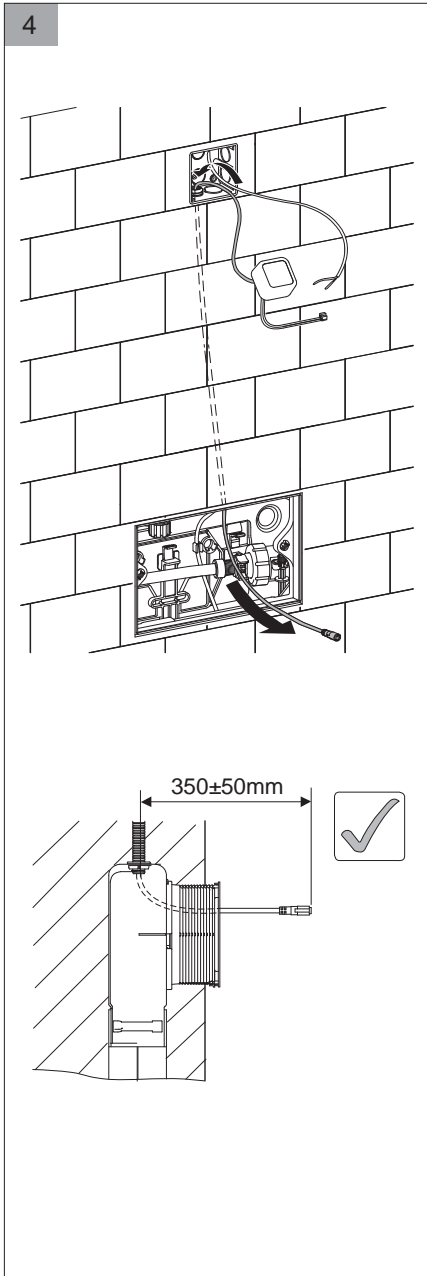
Disassembly of the product is forbidden.



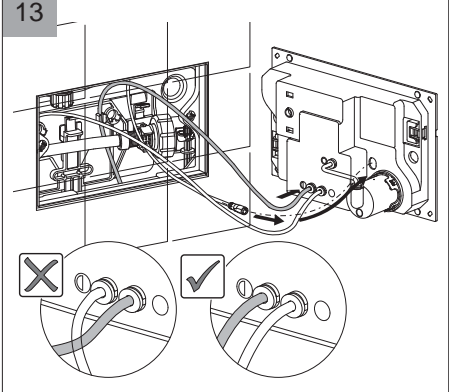
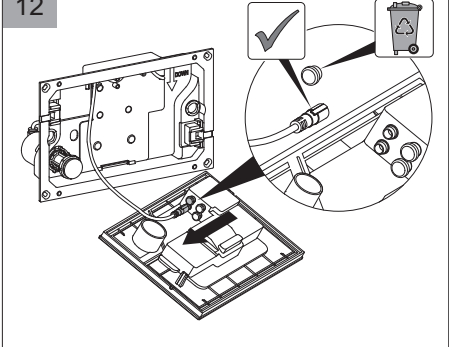
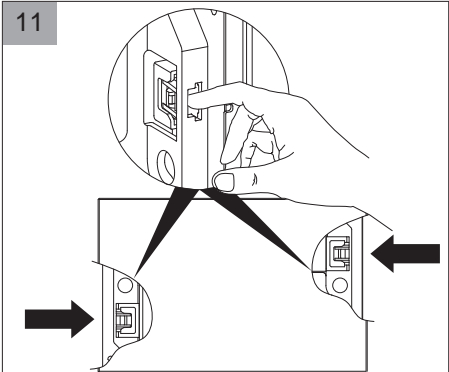
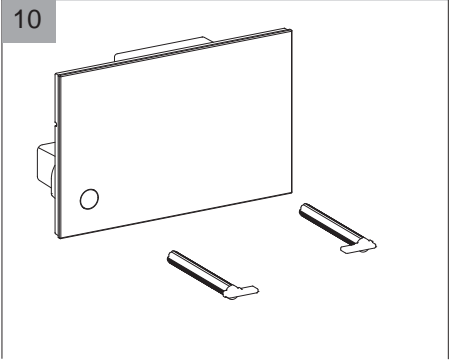
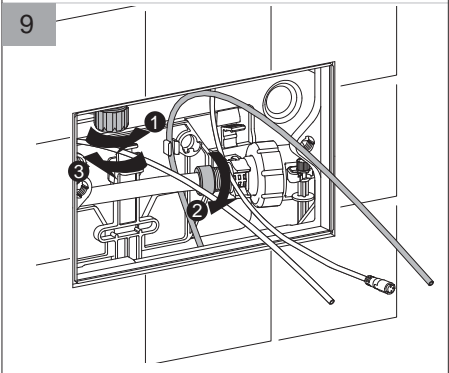
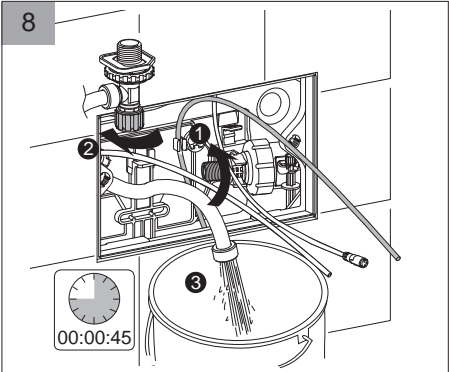
Installation



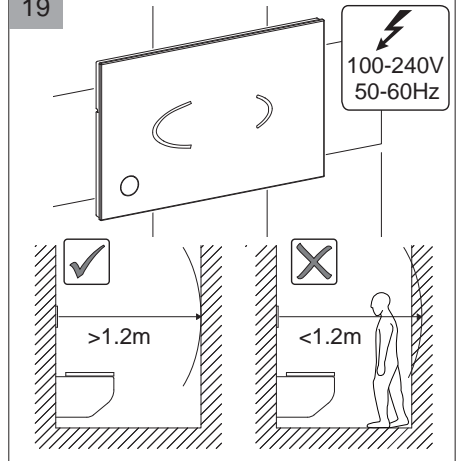
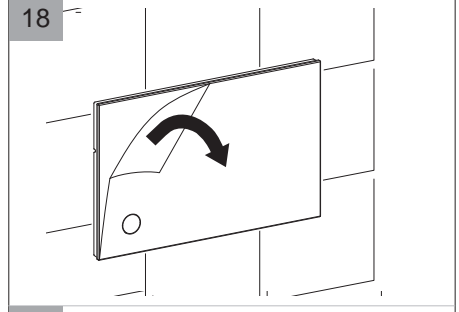
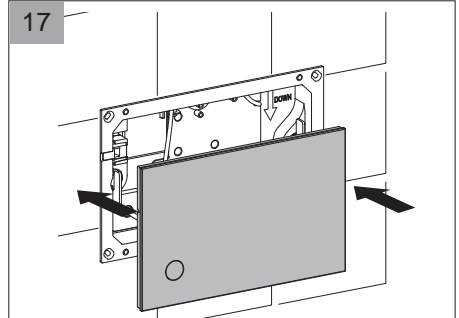
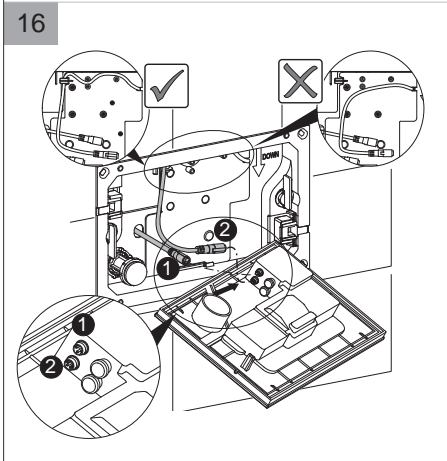
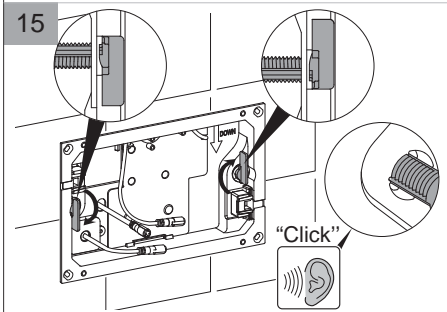
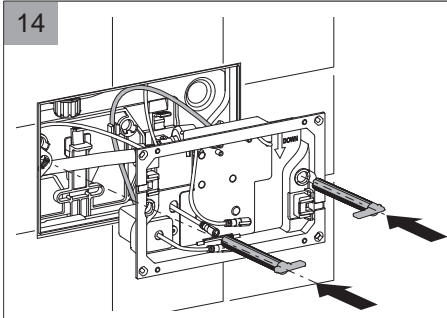
Installation



Installation

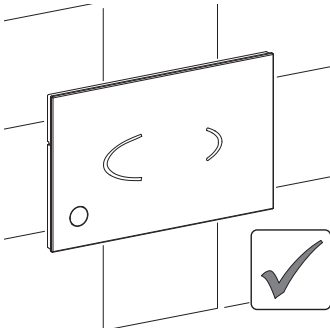
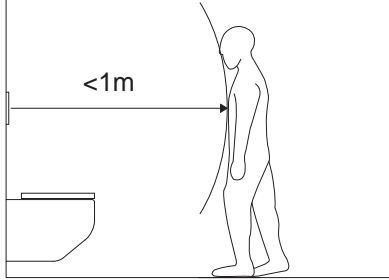


Installation

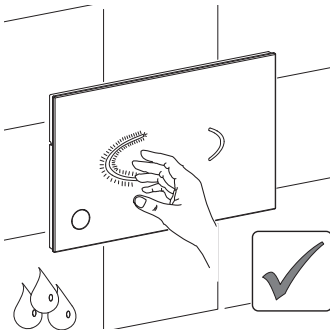


Operation Method 1

- 1** The sensor illumination comes on as soon as you approach the actuator plate within 1m distance.



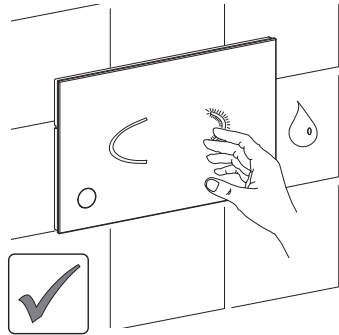
- 2** When somebody places his/her hand in front of the full flush sensor on the left, the sensor lights up and a full flush is activated.



- 3** After 2s interval.

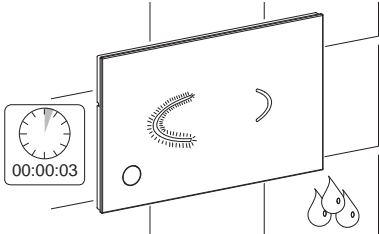
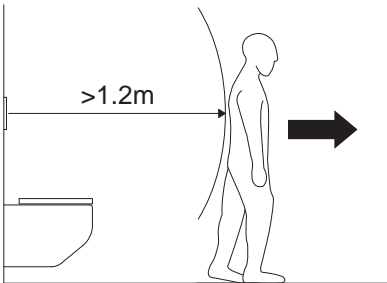
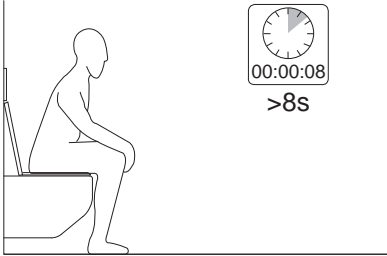


- 4** When somebody places his/her hand in front of the partial flush sensor on the right, the sensor lights up and a partial flush is activated.

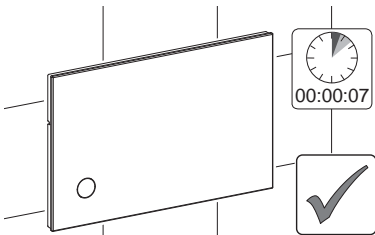


Operation Method 2 & 3

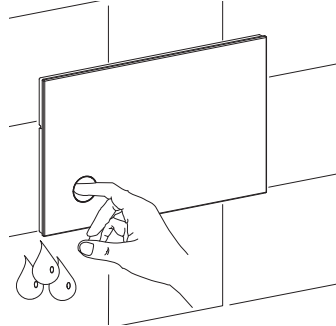
- 1** When somebody stays in front of the actuator plate for more than 8s and then leaves beyond 1.2m away, the full flush sensor on the left lights up and a full flush will be activated after 3s.



- 2** After another 7s, the sensor illumination goes off.

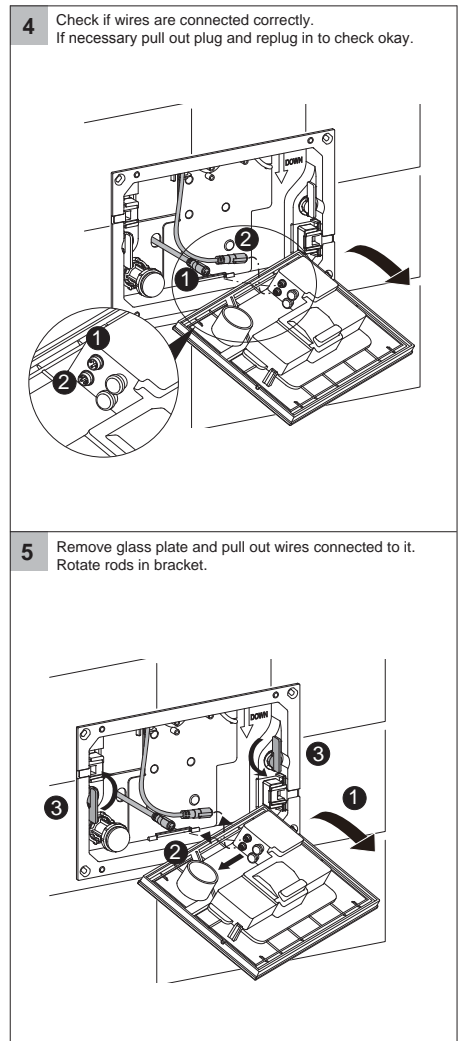
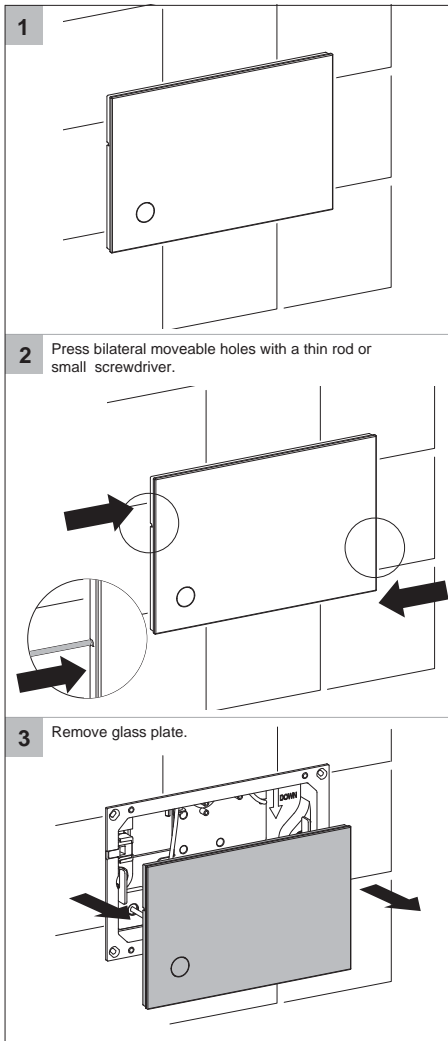


- 1** For the K5501E-Q actuator plate, besides method 1 and 2 you can also press the manual button to activate a full flush in case of power failure.

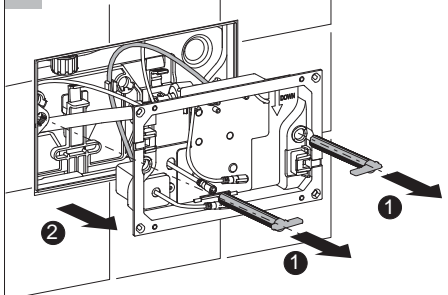


Troubleshooting

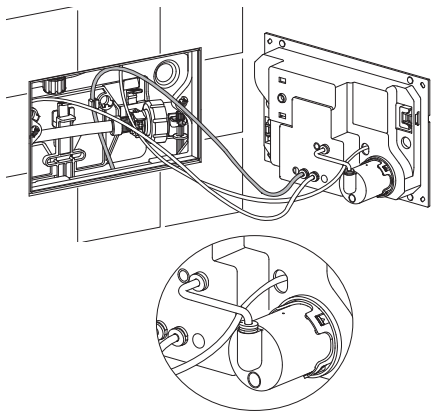
| | Problem | Solutions | Steps |
|---|---|---|-------|
| 1 | Light is out and toilet doesn't flush. | Confirm if power wire(with white plug) is connected correctly. | 1 - 4 |
| | | Check if power adaptor works normally meaning the indicator light in adaptor is bright. | 8 - 9 |
| 2 | Light is bright but toilet doesn't flush. | Check if signal wire (black plug) is connected correctly. | 1 - 4 |
| | | Check if air pipes are connected correctly. | |
| 3 | Light is bright but full and partial flush interchange. | Check if thick and thin air pipes are connected correctly. | 1 - 7 |
| 4 | Manual button doesn't work. | Check if manual air pipe is connected correctly.(K5501E-Q) | |



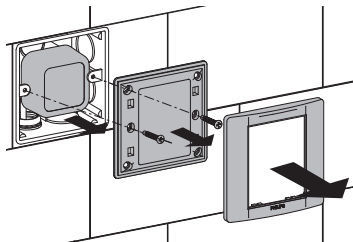
6 Remove rods and take down bracket.



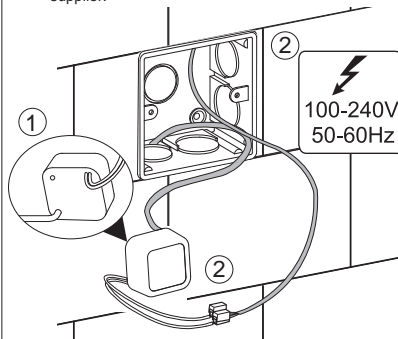
7 Check if air pipes behind bracket are connected correctly. If they are loose replug them tightly.



8 Take out power adaptor.
Attention: the following steps can be carried out only by a professional!



9 Check if indicator light is bright. If not, check if wires are connected to quick connector correctly. And then check if wires are connecting to power supply normally. If all wires are connected correctly, please contact supplier.



Technical Data

| | |
|---|--|
| Size: | 238×154×11mm |
| Power supply: | Adapter (Input : 100-240VAC 50 / 60Hz, Onput : 6VDC / 1.5A) |
| Energy consumption: | If using AC power supply, energy consumption in standby modes≤0.5W (average), energy consumption in working modes≤5W (maximum). |
| Working temperature: | 1 ~ 55°C |
| Relative humidity (RH): | ≤95% |
| Interval flush: | The actuator plate activates a partial flush at regular time intervals (72h) automatically when it is in standby mode. |
| Detection distance: | Near Mode (full / partial flush): ≤10cm (tested by hand) Detection distance is 16±3cm if tested with white paperboard. Remote auto-sensing mode (full flush): 70cm |
| Sensor illumination detection distance: | 110cm |

Cleaning the Actuator Plate

CAUTION

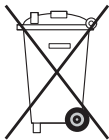
Aggressive and scouring cleaning agents can damage the surface.

Never use aggressive cleaning agents that contain chlorine or are acidic, abrasive or corrosive.

- Clean the actuator plate with mild cleaning agents and water.
- Use a soft cloth.

Disposal

This product meets the requirements of the directive 2002/95/EC RoHS (Restriction of Hazardous Substances in electrical and electronic equipment).



In accordance with directive 2002/96/EC WEEE on waste electrical and electronic equipment, manufacturers of electrical equipment are obliged to take back old equipment and to dispose of it correctly.

The symbol indicates that the product cannot be disposed of with non-recyclable waste. Old equipment should be returned directly to your distributor where it will be disposed of appropriately.

Please contact your responsible operator for collection point addresses.