

**BAXI**  
Make it easy



ErP Compliant 

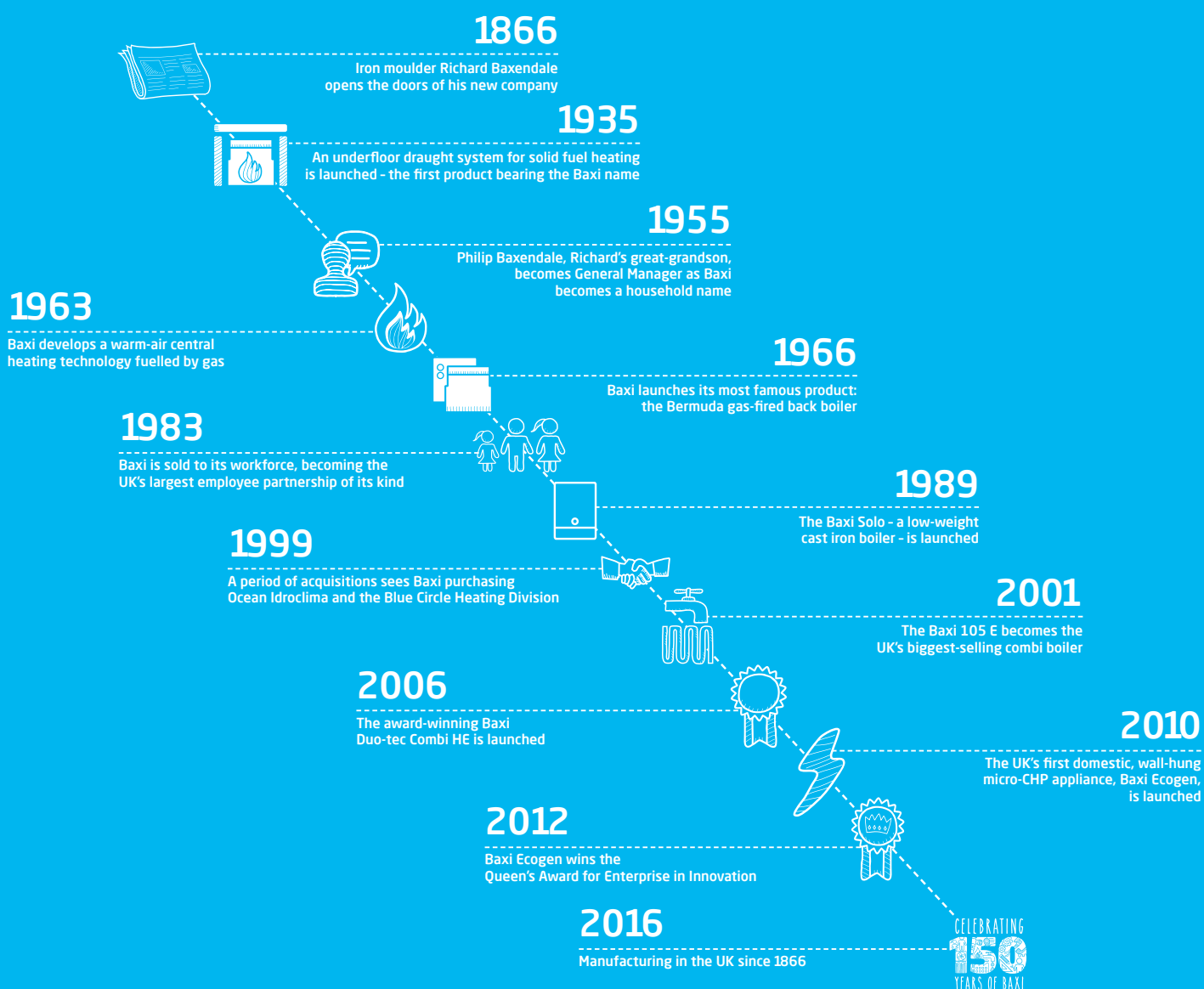
# Baxi range guide

# A brand you can trust

Baxi has been manufacturing in the UK for over 150 years. It has a heritage of providing cutting edge heating products for homes and is the best known boiler manufacturer amongst homeowners.†

We continue to invest in the business to provide reliable, energy efficient heating and hot water products, backed by industry-leading customer support, nationwide availability of parts and training.

## A brief history of Baxi



†According to independent research.

# Baxi make it easy



We are committed to making your experience with Baxi as easy as possible.

## Reliability

Every Baxi boiler has to pass a full function test using gas, water and electricity, before it leaves the production line.

## Warranty

We are so confident in the reliability of our boilers that we provide industry-leading warranties, providing peace of mind for you and your customers. And our warranty terms and conditions have been approved by the Plain English Campaign so they are easy to understand.

## Efficiency

All Baxi boilers are Energy Saving Trust endorsed, helping households to save money on their gas bills.

## Support

We are there for you – providing practical training, technical help and genuine parts – when you need us.

## Easy to install

Our 200, 400, 600 & 800 boilers come with a wall bracket, complete with preformed copper pipe tails, to save you time and money during installation.



## Key features

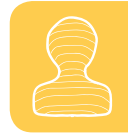
- Exceptional flow rate up to 16.4 litres per minute (35°C rise)
- Easy-Fill permanent filling link
- Compact Adey Magnaclean Micro 2 magnetic system filter included
- Built in frost thermostat
- Compatible with Multifit flue kits
- OpenTherm interface
- Compatible with Baxi uSense
- Front access to all components

## Benefits

- Ideal for homes with high hot water requirements
- Single spring loaded lever enables end user to top up system pressures quickly and easily
- Protects the heating system and boiler
- Suitable for siting in garages and lofts
- Industry leading choice of bends, lengths and accessories
- Gives greater control of the boiler when installed with compatible OpenTherm controls
- Heating can be operated via a smart device
- Easy to service and maintain

\* Subject to registration and an annual service. Terms and conditions apply. Visit [baxi.co.uk/warranty](http://baxi.co.uk/warranty)





*I regularly recommend the Platinum Combi. The 10 year warranty means customers trust the product and I know that it won't let them down.*

**Simon Harrington**  
Harrington Plumbing & Heating

# Baxi Platinum+ 40 Combi

The Baxi Platinum+ 40 Combi boiler has been designed to give premium hot water performance. It delivers a flow rate up to 16.4 litres per minute and comes with a 10 year parts and labour warranty\* for complete peace of mind. In the box is a compact Adey Magnaclean Micro2 magnetic system filter to protect the heating system and boiler.

It is British built with tough brass hydraulics and has an OpenTherm interface giving greater control of the boiler when installed with compatible OpenTherm controls

## Accessories

The following accessories are compatible with the Baxi Platinum+ 40 Combi



Baxi IFOS (In Flue Outdoor Sensor)  
*See page 89 for options.*



**5117391**  
Baxi wireless programmable room thermostat



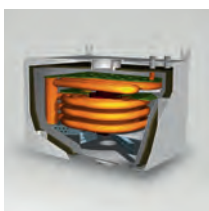
**720030501**  
Baxi seven day programmable room thermostat



**720971601**  
Baxi wired room thermostat



**247206**  
Baxi integral electro-mechanical 24hr timer



**720056901**  
Multifit GasSaver GS1



**7649277**  
Baxi uSense smart thermostat

# Technical specifications

HOW WE MAKE IT EASY

Pre-plumbing jig for quick and simple installation.



## Boiler dimensions

Width [A]	Height [B]	Depth [C]
450mm	780mm	345mm

## Service clearances

Side [D]	Upper [E]	Lower [F]	Front [G]
5mm*	175mm* (* 300mm if using 80/125 flueing system)	150mm*	5mm in operation,* (* 450mm for servicing purposes)

\*These are the minimum recommended dimensions. Greater clearance will aid installation and maintenance.



## What's in the box?



Platinum Combi boiler



Pre-plumbing jig



Literature pack



Easy-Fill permanent filling link



Copper pipe tails



Adey Magnaclean Micro2 magnetic system filter

# Technical details

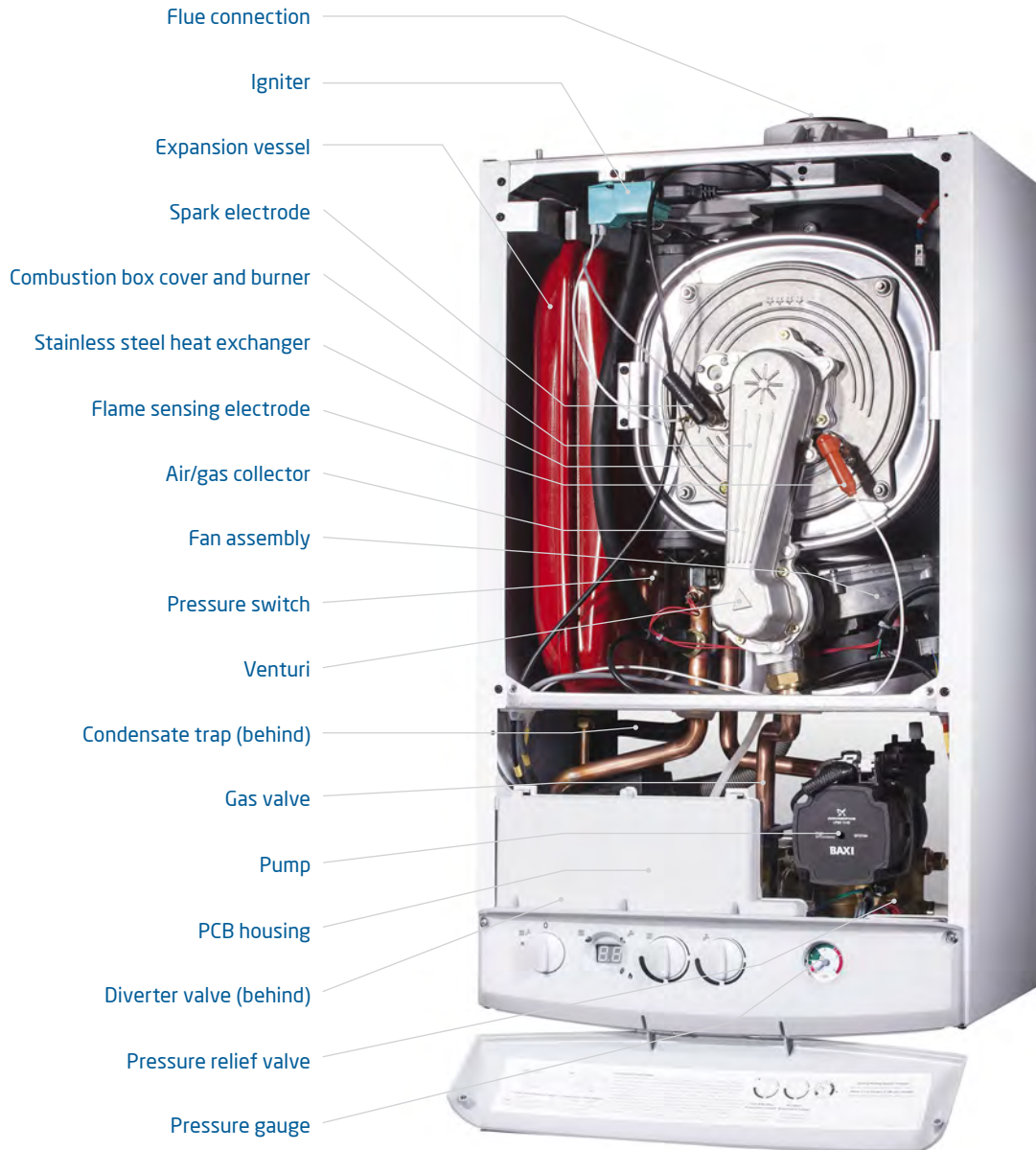
## Baxi Platinum+40 Combi ErP

+ 40 Combi

Sales code	Boiler only	7731616
<b>Controls and accessories</b>		
User adjustable DHW temperature	Range - 30°C to 60°C	✓
User adjustable CH temperature	Range - 25°C to 80°C	✓
Temp/status/fault diagnosis display		LCD Display
uSense Wired (optional accessory)	7649277	Optional
Integral 24 hr Electro-mechanical timer (optional accessory)		Optional
Wired 24 hr Electro-mechanical timer (optional accessory)	720971401	Optional
7 day RF Digital Programmable Room Thermostat (optional accessory)	720030501	Optional
Single Channel Wired Programmable room Thermostat (optional accessory)	7212438	Optional
Single Channel Wired Timer (optional accessory)	7212444	Optional
Wired Room Thermostat (optional accessory)	720971601	Optional
Multifit IFOS weather compensation (optional accessory)	7724181	Optional
Multifit IFOS Extension (optional accessory)	7724260	Optional
Ridge Tile IFOS (optional accessory)	7729943	Optional
<b>Gas</b>		
Natural gas		✓
Propane LPG		N/A
Inlet supply pressure (natural gas)	mbar (nominal)	20
Maximum Gas Rate (G20) Qmax	m <sup>3</sup> /hr	4.36
NOx	mg/kWh	23
NOx Class		6
Heat input CH	kW (max) Gross (QnHs)	36.4
	kW (min) Gross (QnHs)	11
Heat Output CH (non-condensing)	kW (Max) (Pn)	32
	kW (Min) (Pn)	9.6
Heat Output CH (condensing)	kW (Max) (Pnc)	34.4
	kW (Min) (Pnc)	12.1
Heat Input Domestic Hot Water (DHW)	kW max gross (QnWHs)	45.7
Heat Output Domestic Hot Water (DHW)	kW max	40
<b>ErP Product Information</b>		
Seasonal Space Heating Energy Efficiency		93%
Sound Power Levels, indoors	IWA dB	50
Space Heating Efficiency Class		A
Water Heating Declared Load Profile		XL
Water Heating Efficiency class		A
<b>Electrical</b>		
Electrical Supply	Volts / Hz	230 / 50
Permanent Live Required		✓
Electrical Cable Supplied	(0.75mm heat resistant flex)	✓
Power consumption when firing	Watts	125
External fuse rating	Amps	3
Internal fuse rating	Amps	F2L
Boiler IP rating (electrical protection) without integral timer fixed	Approval category	IPX5D
Circulating pump exercise feature		✓
Pump Overrun		✓
Integral 'boiler only' Frost Thermostat		✓
<b>Mechanical</b>		
Hanging method		Jig
Isolating valves with pre-formed copper tails		✓
Gas supply Connection	(mm)	22
Central Heating Connections	(mm)	22
Domestic Hot Water Connections	(mm)	15
Condense Discharge Pipe Connections	(mm)	21.5
Safety Discharge Pipe Connections	(mm)	15
Remote Secondary PRV kit (optional accessory)	5121379	Optional
<b>Hydraulic</b>		
Maximum DHW flow rate (Delta T @ 35°C rise)	l/min	16.4
Minimum DHW flow rate required	l/min	2
Minimum Operating DHW pressure required	bar	0.5
Maximum DHW System Pressure	bar	8
Safety Discharge Pressure	bar	3
Compartment Ventilation Required		✗
Integral Expansion Vessel	Size (litres)	10
Maximum Capacity of CH System	Litres	125
Integral Automatic Bypass		✓
CH System Inhibitor Required		✓
<b>Concentric flue systems</b>		
Concentric Flue Diameters	(mm)	60/100 and 80/125
Standard telescopic horizontal flue (60/100)	(mm)	315 - 500
Standard horizontal flue kit (60/100)	(mm)	685
Max equiv length horizontal / vertical (60/100)	m	10
Max equiv length horizontal / vertical (80/125)	m	20
Equivalent length per 135° bend	m	0.5
Equivalent length per 93° bend	m	1
<b>Weights</b>		
Installer lift weight (boiler)	(kg)	42.2
Gross packaged boiler weight	(kg)	50

# What's inside the boiler?

## Baxi Platinum+ 40 Combi



HOW WE MAKE IT EASY

**An industry-leading  
choice of flues.**

# Flues

## Horizontal concentric flues Ø 60/100mm

### Multifit flue group A

Item description	Colour	Specification	Key and OD dimensions	Sales code
1 Horizontal telescopic flue inc. low profile elbow and fixing screws	White pipe/white terminal	315mm - 500mm	100mm	720599401
2 Horizontal telescopic flue inc. low profile elbow and fixing screws	White pipe/black terminal	315mm - 500mm	100mm	720598701
3 1m flue extension inc. fixing screws	White	1000mm	100mm	720648801
4 93° flue bend inc. fixing screws	White	93°	100mm	720648401
5 135° flue bend inc. fixing screws (pair)	White	135°	100mm	720647901
6 Standard horizontal flue inc. low profile elbow and fixing screws	White pipe/black terminal	685mm	100mm	7222019

## Plume displacement kits Ø 60/100mm

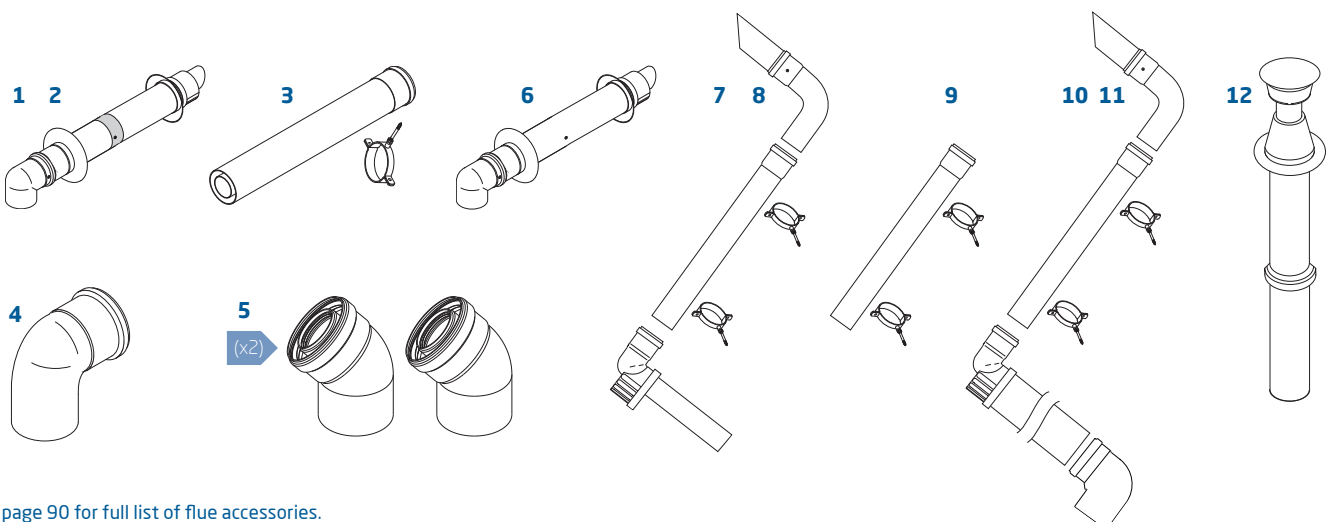
### Multifit flue group A

Item description	Colour	Specification	Key and OD dimensions	Sales code
7 Plume displacement terminal kit for telescopic flue inc 1m extension and brackets	White		60mm	720627001
8 Plume displacement terminal kit for telescopic flue inc 1m extension and brackets	Black		60mm	720622901
9 Plume displacement kit extension and brackets	White	1000mm	60mm	720643401
10 Plume displacement terminal kit inc. 1m extension and brackets	White		60mm	7225717
11 Plume displacement terminal kit inc. 1m extension and brackets	Black		60mm	7225716

## Vertical concentric flues Ø 60/100mm

### Multifit flue group A

Item description	Colour	Specification	Key and OD dimensions	Sales code
12 Vertical flue terminal	Black		100mm	5118576
3 1m flue extension inc. fixing screws	White	1000mm	100mm	720648801
4 93° flue bend inc. fixing screws	White	93°	100mm	720648401
5 135° flue bend inc. fixing screws (pair)	White	135°	100mm	720647901



See page 90 for full list of flue accessories.



## Key features

Outputs 25kW, 30kW, 36kW

Compact Adey Magnaclean Micro 2 magnetic system filter included

Compact cupboard fit

OpenTherm interface

Compatible with Baxi uSense

Simple hanging bracket

Pipes behind facility within the boiler casing

Top central flue

## Benefits

To meet different end user hot water requirements (up to 15 litres per minute)

Protects the heating system and boiler

Can be installed in a 290mm deep cupboard

Gives greater control of the boiler when installed with compatible OpenTherm controls

Heating can be operated via a smart device

Easy to install giving greater flexibility of pipework connections

Save time, space and money by piping behind within the footprint of the boiler

Easy to replace old boiler, saving time

\* Subject to registration and an annual service. Terms and conditions apply. Visit [baxi.co.uk/warranty](http://baxi.co.uk/warranty)



# Baxi 800 Combi

The Baxi 800 Combi has a 10 year parts and labour warranty\* and includes a compact Adey Magnaclean Micro2 magnetic system filter to protect the boiler and heating system.

The boiler is small enough to fit into a 290mm deep cupboard, has a built in pipes behind facility within the boiler casing and brass hydraulics.

## Accessories

The following accessories are compatible with the Baxi 800 Combi



Baxi IFOS (In Flue Outdoor Sensor)  
*See page 89 for options.*



7649277  
Baxi uSense smart thermostat



720030501  
Baxi 7 day programmable room thermostat



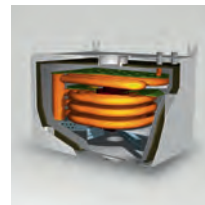
7212444  
Baxi single channel wired timer



7212438  
Baxi single channel wired programmable room thermostat



720971601  
Baxi wired room thermostat



7712941  
Multifit GasSaver GS2

# Technical specifications

HOW WE MAKE IT EASY

Wall mounted bracket for quick and simple installation.



## Boiler dimensions

Width [A]	Height [B]	Depth [C]
390mm	700mm	285mm

## Service clearances

Side [D]	Upper [E]	Lower [F]	Front [G]
5mm*	178mm*	200mm*	5mm in operation,* (* 450mm for servicing purposes)

\*These are the minimum recommended dimensions. Greater clearance will aid installation and maintenance.



## What's in the box?



Baxi 800 Combi boiler



Wall mounting bracket



Literature and fittings pack



Easy-Fill permanent filling link



Copper pipe tails



Adey Magnaclean Micro2 magnetic system filter

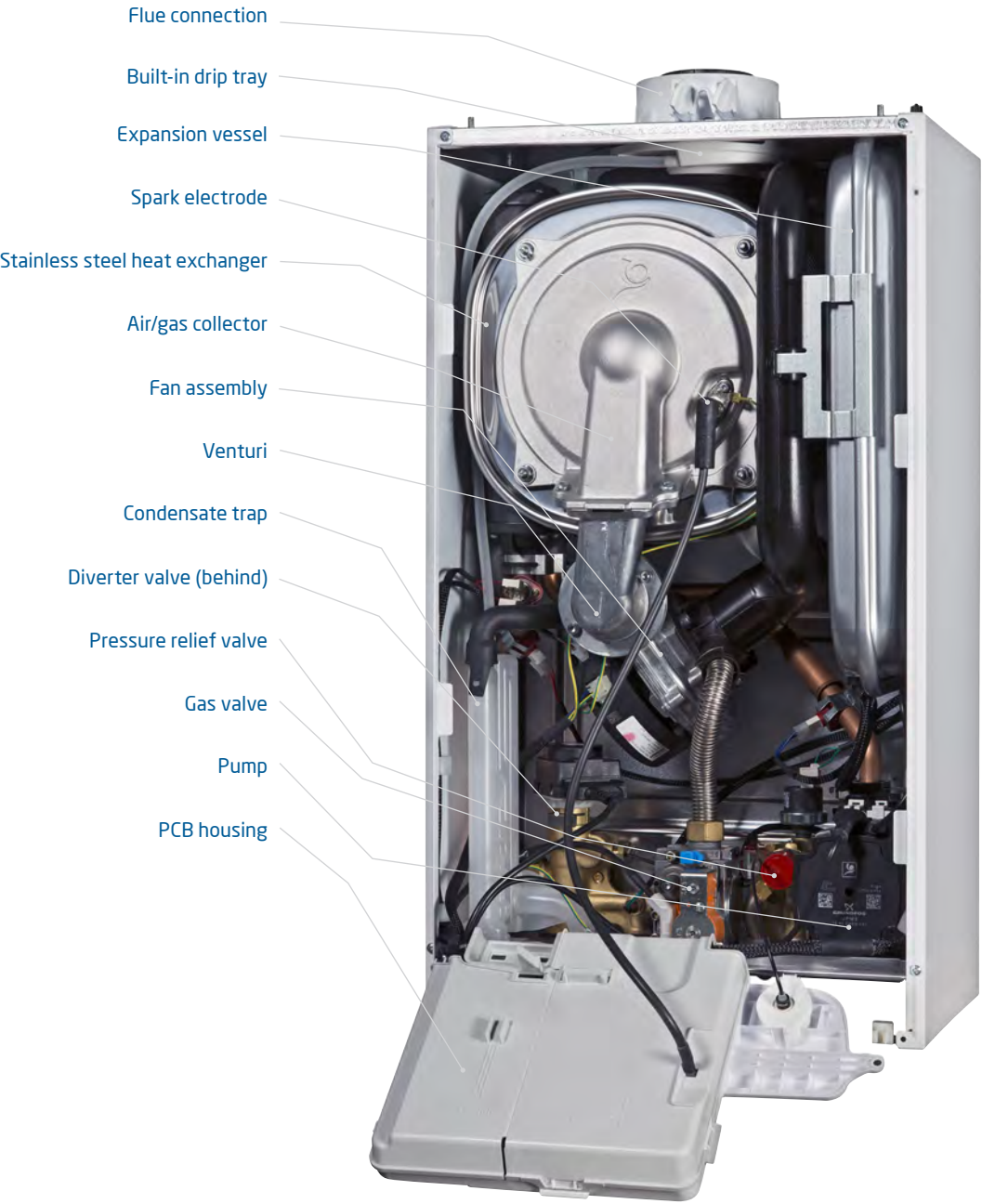


# Technical details

Baxi 800 Combi ErP		825 Combi	830 Combi	836 Combi
Sales code	Boiler only	7732189	7731874	7731705
<b>Controls and accessories</b>				
User adjustable DHW temperature	Range - 30°C to 60°C	✓	✓	✓
User adjustable CH temperature	Range - 25°C to 80°C	✓	✓	✓
Temp/status/fault diagnosis display		LCD Display	LCD Display	LCD Display
uSense Wired (optional accessory)	7649277	Optional	Optional	Optional
Wired 24 hr Electro-mechanical timer (optional accessory)	720971401	Optional	Optional	Optional
7 day RF Digital Programmable Room Thermostat (optional accessory)	720030501	Optional	Optional	Optional
Single Channel Wired Programmable room Thermostat (optional accessory)	7212438	Optional	Optional	Optional
Single Channel Wired Timer (optional accessory)	7212444	Optional	Optional	Optional
Wired Room Thermostat (optional accessory)	720971601	Optional	Optional	Optional
Multifit IFOS weather compensation (optional accessory)	7724181	Optional	Optional	Optional
Multifit IFOS Extension (optional accessory)	7724260	Optional	Optional	Optional
Ridge Tile IFOS (optional accessory)	7729943	Optional	Optional	Optional
<b>Gas</b>				
Natural gas		✓	✓	✓
Propane LPG		N/A	N/A	N/A
Inlet supply pressure (natural gas)	mbar (nominal)	20	20	20
Maximum Gas Rate (G20) Qmax	m3/hr	2.71	3.26	3.81
NOx	mg/kWh	31	31	39
NOx Class		6	6	6
Heat input CH	kW (max) Gross (QnHs)	22.9	22.9	28.6
	kW (min) Gross (QnHs)	6.9	6.9	7.4
Heat Output CH (non-condensing)	kW (Max) (Pn)	20	20	25
	kW (Min) (Pn)	6.1	6.1	6.7
Heat Output CH (condensing)	kW (Max) (Pnc)	21.2	21.2	26.4
	kW (Min) (Pnc)	6.7	6.7	6.7
Heat Input Domestic Hot Water (DHW)	kW max gross (QnWHs)	28.6	34.3	40.8
Heat Output Domestic Hot Water (DHW)	kW max	25	30	36
<b>ErP Product Information</b>				
Seasonal Space Heating Energy Efficiency		93%	93%	93%
Sound Power Levels, indoors	lWA dB	48	48	51
Space Heating Efficiency Class		A	A	A
Water Heating Declared Load Profile		XL	XL	XL
Water Heating Efficiency class		A	A	A
<b>Electrical</b>				
Electrical Supply	Volts / Hz	230 / 50	230 / 50	230 / 50
Permanent Live Required		✓	✓	✓
Electrical Cable Supplied	(0.75mm heat resistant flex)	✗	✗	✗
Power consumption when firing	Watts	68	78	110
External fuse rating	Amps	3	3	3
Internal fuse rating	Amps	F2A H250V	F2A H250V	F2A H250V
Boiler IP rating (electrical protection) without integral timer fixed	Approval category	IPX5D	IPX5D	IPX5D
Circulating pump exercise feature		✓	✓	✓
Pump Overrun		✓	✓	✓
Integral 'boiler only' Frost Thermostat		✓	✓	✓
<b>Mechanical</b>				
Hanging method		Bracket	Bracket	Bracket
Isolating valves with pre-formed copper tails		✓	✓	✓
Gas supply Connection	(mm)	22	22	22
Central Heating Connections	(mm)	22	22	22
Domestic Hot Water Connections	(mm)	15	15	15
Condense Discharge Pipe Connections	(mm)	21.5	21.5	21.5
Safety Discharge Pipe Connections	(mm)	15	15	15
Pre-Plumb Jig (optional accessory)	7682545	Optional	Optional	Optional
Rear Pipework Kit (optional accessory)	7682790	Optional	Optional	Optional
Remote Secondary PRV kit (optional accessory)	5121379	Optional	Optional	Optional
<b>Hydraulic</b>				
Maximum DHW flow rate (Delta T @ 35°C rise)	l/min	9.8	11.5	15.0
Minimum DHW flow rate required	l/min	2	2	2
Minimum Operating DHW pressure required	bar	0.5	0.5	0.5
Maximum DHW System Pressure	bar	8	8	8
Safety Discharge Pressure	bar	3	3	3
Compartment Ventilation Required		✗	✗	✗
Integral Expansion Vessel	Size (litres)	7	7	7
Maximum Capacity of CH System	Litres	100	100	100
Integral Automatic Bypass		✓	✓	✓
CH System Inhibitor Required		✓	✓	✓
<b>Concentric flue systems</b>				
Concentric Flue Diameters	(mm)	60/100 and 80/125	60/100 and 80/125	60/100 and 80/125
Standard telescopic horizontal flue (60/100)	(mm)	315 - 500	315 - 500	315 - 500
Standard horizontal flue kit (60/100)	(mm)	685	685	685
Max equiv length horizontal / vertical (60/100)	m	10	10	10
Max equiv length horizontal / vertical (80/125)	m	20	20	20
Equivalent length per 135° bend	m	0.5	0.5	0.5
Equivalent length per 93° bend	m	1	1	1
<b>Weights</b>				
Installer Lift Weight (boiler)	(kg)	29.2	29.2	30.2
Gross packaged boiler weight	(kg)	35	35	35

# What's inside the boiler?

Baxi 800 Combi



- Flue connection
- Built-in drip tray
- Expansion vessel
- Spark electrode
- Stainless steel heat exchanger
- Air/gas collector
- Fan assembly
- Venturi
- Condensate trap
- Diverter valve (behind)
- Pressure relief valve
- Gas valve
- Pump
- PCB housing

 HOW WE MAKE IT EASY  
**An industry-leading choice of flues.**

# Flues

## Horizontal concentric flues Ø 60/100mm

### Multifit flue group A

Item description	Colour	Specification	Key and OD dimensions	Sales code
1 Horizontal telescopic flue inc. low profile elbow and fixing screws	White pipe/white terminal	315mm - 500mm	100mm	720599401
2 Horizontal telescopic flue inc. low profile elbow and fixing screws	White pipe/black terminal	315mm - 500mm	100mm	720598701
3 1m flue extension inc. fixing screws	White	1000mm	100mm	720648801
4 93° flue bend inc. fixing screws	White	93°	100mm	720648401
5 135° flue bend inc. fixing screws (pair)	White	135°	100mm	720647901
6 Standard horizontal flue inc. low profile elbow and fixing screws	White pipe/black terminal	685mm	100mm	7222019

## Plume displacement kits Ø 60/100mm

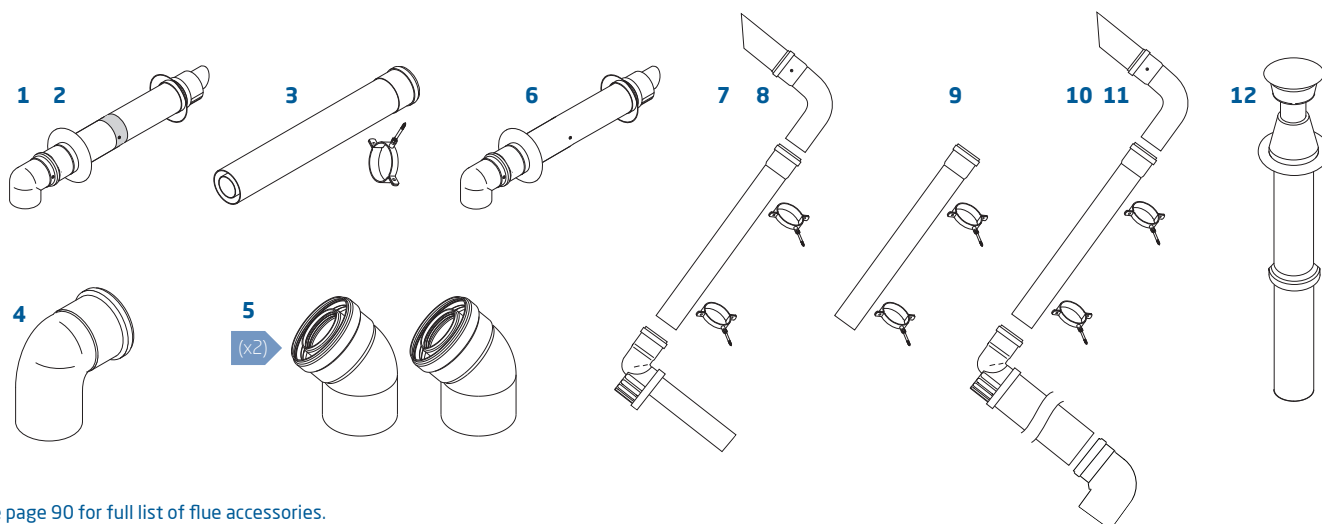
### Multifit flue group A

Item description	Colour	Specification	Key and OD dimensions	Sales code
7 Plume displacement terminal kit for telescopic flue inc 1m extension and brackets	White		60mm	720627001
8 Plume displacement terminal kit for telescopic flue inc 1m extension and brackets	Black		60mm	720622901
9 Plume displacement kit extension and brackets	White	1000mm	60mm	720643401
10 Plume displacement terminal kit inc. 1m extension and brackets	White		60mm	7225717
11 Plume displacement terminal kit inc. 1m extension and brackets	Black		60mm	7225716

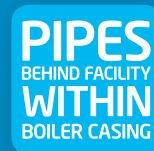
## Vertical concentric flues Ø 60/100mm

### Multifit flue group A

Item description	Colour	Specification	Key and OD dimensions	Sales code
12 Vertical flue terminal	Black		100mm	5118576
3 1m flue extension inc. fixing screws	White	1000mm	100mm	720648801
4 93° flue bend inc. fixing screws	White	93°	100mm	720648401
5 135° flue bend inc. fixing screws (pair)	White	135°	100mm	720647901



See page 90 for full list of flue accessories.



## Key features

---

Outputs 24kW, 30kW and 36kW

---

Compact cupboard fit

---

OpenTherm interface

---

Compatible with Baxi uSense

---

Simple hanging bracket

---

Pipes behind facility within the boiler casing

---

Top central flue

## Benefits

---

To meet different end user hot water requirements (up to 15 litres per minute)

---

Can be installed in a 290mm deep cupboard

---

Gives greater control of the boiler when installed with compatible OpenTherm controls

---

Heating can be operated via a smart device

---

Easy to install giving greater flexibility of pipework connections

---

Saves time, space and money by piping behind within the footprint of the boiler

---

Easier to replace old boiler, saving time

\* Subject to registration and an annual service. Terms and conditions apply. Visit [baxi.co.uk/warranty](http://baxi.co.uk/warranty)

\*\* At 35°C rise



"I've fitted a few of these boilers now, they're very well built with copper and brass hydraulics, easy to install with a hanging bracket and an option to fit pipes down the back without the need for an additional fixing jig and nice, easy user interface that customers like. Easy to commission and with a 7 year warranty great boiler at a good price - will be fitting more of these"

**Paul McGrath**  
Paul McGrath Heating Services

# Baxi 600 Combi

The Baxi 600 is small enough to fit into a 290mm deep cupboard, has a built in pipes behind facility within the boiler casing and brass hydraulics. It's compatible with the Baxi uSense smart thermostat and comes with a 7 year extended warranty\*.

## Accessories

The following accessories are compatible with the Baxi 600 Combi



Baxi IFOS (In Flue Outdoor Sensor)  
*See page 89 for options.*



**7649277**  
Baxi uSense smart thermostat



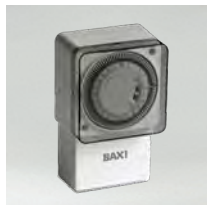
**720030501**  
Baxi 7 day programmable room thermostat



**7212444**  
Baxi single channel wired timer



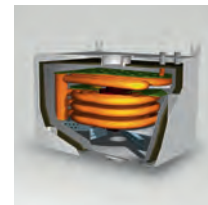
**7212438**  
Baxi single channel wired programmable room thermostat



**720971401**  
Baxi wall mounted timer



**720971601**  
Baxi wired room thermostat



**7712941**  
Multifit GasSaver GS2

# Technical specifications

HOW WE MAKE IT EASY

Wall mounted bracket for quick and simple installation.



## Boiler dimensions

Width [A]	Height [B]	Depth [C]
390mm	700mm	285mm

## Service clearances

Side [D]	Upper [E]	Lower [F]	Front [G]
5mm*	178mm*	200mm*	5mm in operation,* (* 450mm for servicing purposes)

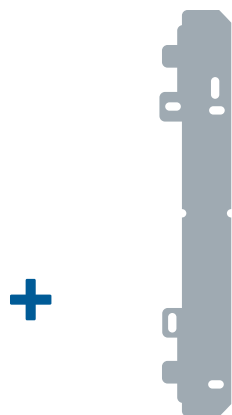
\*These are the minimum recommended dimensions. Greater clearance will aid installation and maintenance.



## What's in the box?



Baxi 600 Combi boiler



Wall mounted bracket



Literature and fitting pack



Easy-Fill permanent filling link



Copper pipe tails

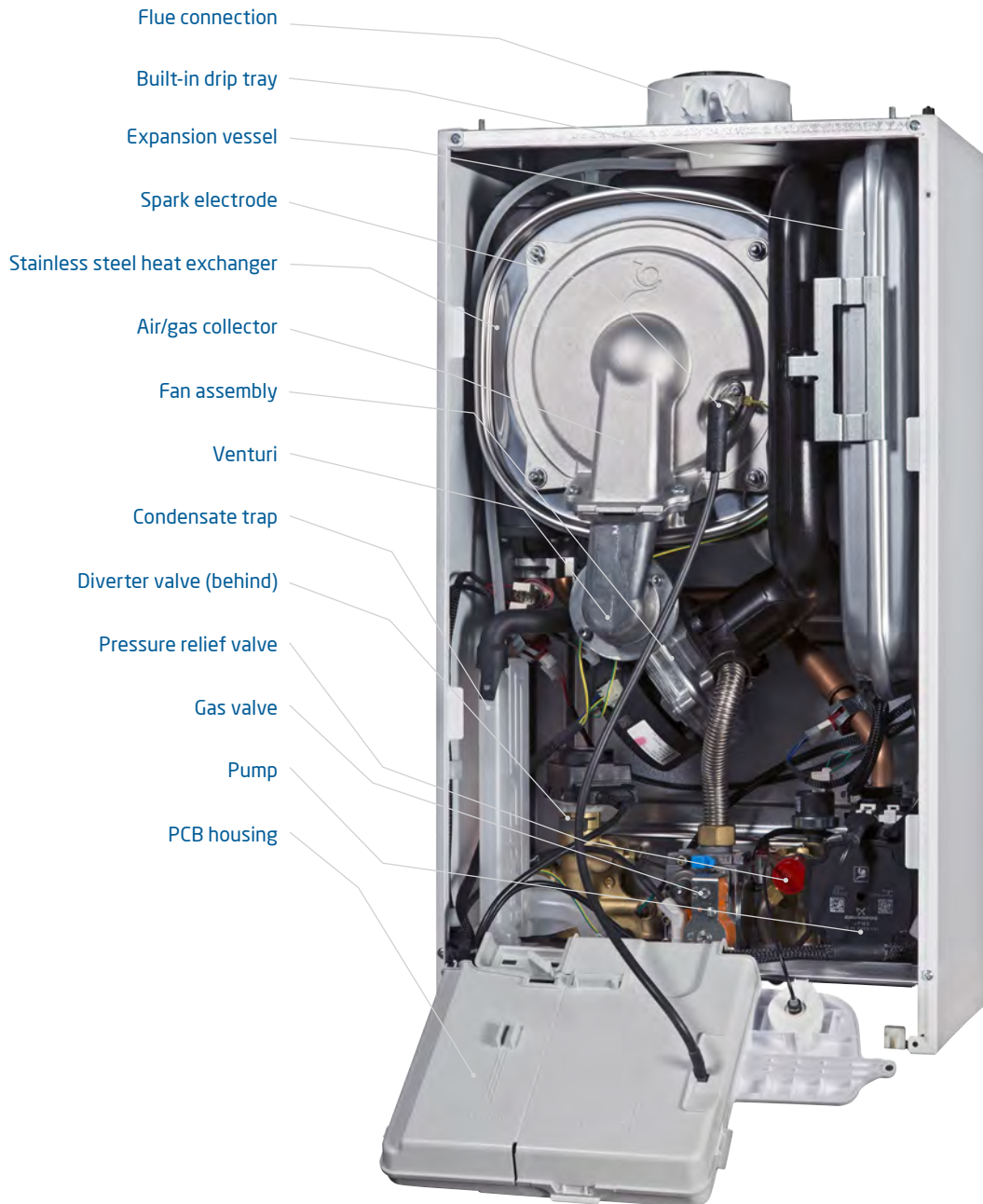
# Technical details

Baxi 600 Combi ErP		624 Combi	630 Combi	636 Combi
Sales code	Boiler only	7682194	7682101	7691350
<b>Controls and accessories</b>				
User adjustable DHW temperature	Range - 35°C to 60°C	✓	✓	✓
User adjustable CH temperature	Range - 25°C to 80°C	✓	✓	✓
Temp/status/fault diagnosis display		LCD display	LCD display	LCD display
uSense Wired (optional accessory)	7649277	Optional	Optional	Optional
Wired 24hr Electro-mechanical timer (optional accessory)	720971401	Optional	Optional	Optional
7 Day RF Digital Programmable Room Thermostat (optional accessory)	720030501	Optional	Optional	Optional
Single Channel Wired Programmable Room Thermostat (optional accessory)	7212438	Optional	Optional	Optional
Single Channel Wired Timer (optional accessory)	7212444	Optional	Optional	Optional
Wired room Thermostat (optional accessory)	720971601	Optional	Optional	Optional
Wired Outdoor Weather Sensor (optional accessory)	7703233	Optional	Optional	Optional
Pre-plumbing jig accessory (optional accessory)	7682545	✓	✓	✓
Rear pipework kit (optional accessory)	7682790	✓	✓	✓
Remote secondary PRV kit (optional accessory)	5121379	✓	✓	✓
Baxi iFOS (optional accessory)	7683084	Optional	Optional	Optional
<b>Gas</b>				
Natural gas		✓	✓	✓
Propane LPG			Refer to LPG models on page 12	
Inlet supply pressure (natural gas)	mbar (nominal)	20	20	20
Maximum Gas Rate (G20) Qmax	m³/hr	2.71	3.26	3.81
NOx	mg/kWh	31	31	39
NOx class		6	6	6
Heat input CH	kW (Max) Gross (QnHs)	22.9	22.9	28.6
	kW (Min) Gross (QnHs)	6.9	6.9	7.4
Heat output CH (non condensing)	kW (Max) (Pn)	20	20	25
	kW (Min) (Pn)	6.1	6.1	6.7
Heat output CH (condensing)	kW (Max) (Pnc)	21.2	21.2	26.4
	kW (Min) (Pnc)	6.7	6.7	6.7
Heat input domestic hot water (DHW)	kW max gross (QnwHs)	28.6	34.3	40.8
Heat output domestic hot water (Nominal)	kW max	25	30	36
SAP 2009 Annual Efficiency (PCDB/SEDBUK)		89%	89%	89%
<b>ErP Product Information</b>				
Seasonal Space Heating Energy Efficiency		93%	93%	93%
Sound power level, indoors	LWA dB	51	51	50
Space heating efficiency class		A	A	A
Water heating declared load profile		XL	XL	XL
Water heating efficiency class		A	A	A
<b>Electrical</b>				
Electrical supply	Volts / Hz	230V / 50Hz	230V / 50Hz	230V/50Hz
Permanent live required		✓	✓	✓
Electrical cable supplied	(0.75mm heat resistant flex)	x	x	x
Power consumption when firing	Watts	68	78	110
External fuse rating	Amps	3	3	3
Internal fuse rating	Amps	F2A H250V	F2A H250V	F2A H250V
Boiler IP rating (electrical protection) without integral timer fitted	Approval Category	IPX5D	IPX5D	IPX5D
Circulating pump exercise feature		✓	✓	✓
Pump overrun		✓	✓	✓
Integral 'boiler only' frost thermostat		✓	✓	✓
<b>Mechanical</b>				
Hanging Bracket		✓	✓	✓
Isolating valves with pre-formed copper tails		✓	✓	✓
Gas supply connection	(mm)	22	22	22
Central heating connections	(mm)	22	22	22
Domestic Hot Water connections	(mm)	15	15	15
Condensate discharge pipe connection	(mm)	21.5	21.5	21.5
Safety discharge pipe connection	(mm)	15	15	15
Easy-Fill permanent filling link		✓	✓	✓
<b>Hydraulic</b>				
Maximum DHW flow rate (Delta T @ 35°C max)	l/min	10.2	12.2	15.0
Minimum DHW flow rate required	l/min	2	2	2
Minimum operating DHW pressure required	bar	0.5	0.5	0.5
Maximum DHW system pressure	bar	8	8	8
Safety discharge pressure	bar	3	3	3
Compartment ventilation required		x	x	x
Easy-Fill permanent filling link supplied		✓	✓	✓
Integral expansion vessel	Size (litres)	7	7	7
Maximum capacity of CH system	Litres	100	100	100
Integral automatic bypass		✓	✓	✓
CH System Inhibitor Required		✓	✓	✓
<b>Concentric flue systems</b>				
Concentric flue diameters	mm	60/100 and 80/125	60/100 and 80/125	60/100 and 80/125
Standard telescopic horizontal flue (60/100mm)	mm	315-500	315-500	315-500
Standard horizontal flue kit (60/100mm)	mm	685	685	685
Max equiv length horizontal/vertical (60/100mm)	m	10	10	10
Max equiv length horizontal/vertical (80/125mm)	m	20	20	20
Equivalent length per 135° bend	m	0.50	0.50	0.50
Equivalent length per 93° bend	m	1.00	1.00	1.00
<b>Weights</b>				
Installer lift weight (boiler)	Max (kg)	29.2	29.2	30.2
Gross packaged boiler weight	(kg)	32.2	32.2	33.5



# What's inside the boiler?

## Baxi 600 Combi



HOW WE MAKE IT EASY

**An industry-leading  
choice of flues.**



# Flues

## Horizontal concentric flues Ø 60/100mm

### Multifit flue group A

Item description	Colour	Specification	Key and OD dimensions	Sales code
1 Horizontal telescopic flue inc. low profile elbow and fixing screws	White pipe/white terminal	315mm - 500mm	100mm	720599401
2 Horizontal telescopic flue inc. low profile elbow and fixing screws	White pipe/black terminal	315mm - 500mm	100mm	720598701
3 1m flue extension inc. fixing screws	White	1000mm	100mm	720648801
4 93° flue bend inc. fixing screws	White	93°	100mm	720648401
5 135° flue bend inc. fixing screws (pair)	White	135°	100mm	720647901
6 Standard horizontal flue inc. low profile elbow and fixing screws	White pipe/black terminal	685mm	100mm	7222019

## Plume displacement kits Ø 60/100mm

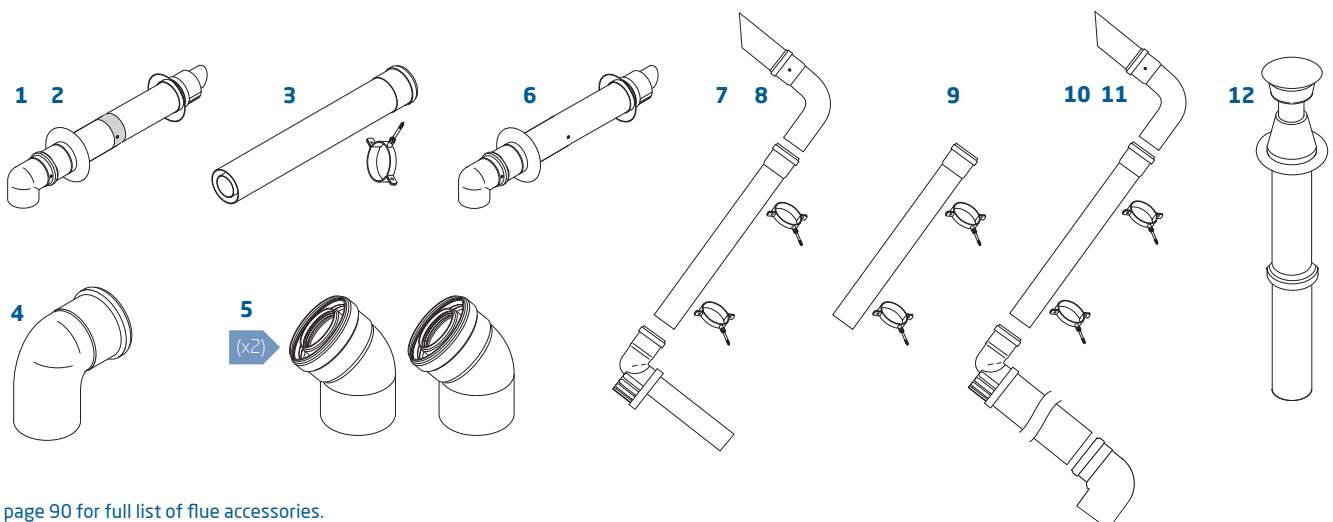
### Multifit flue group A

Item description	Colour	Specification	Key and OD dimensions	Sales code
7 Plume displacement terminal kit for telescopic flue inc 1m extension and brackets	White		60mm	720627001
8 Plume displacement terminal kit for telescopic flue inc 1m extension and brackets	Black		60mm	720622901
9 Plume displacement kit extension and brackets	White	1000mm	60mm	720643401
10 Plume displacement terminal kit inc. 1m extension and brackets	White		60mm	7225717
11 Plume displacement terminal kit inc. 1m extension and brackets	Black		60mm	7225716

## Vertical concentric flues Ø 60/100mm

### Multifit flue group A

Item description	Colour	Specification	Key and OD dimensions	Sales code
12 Vertical flue terminal	Black		100mm	5118576
3 1m flue extension inc. fixing screws	White	1000mm	100mm	720648801
4 93° flue bend inc. fixing screws	White	93°	100mm	720648401
5 135° flue bend inc. fixing screws (pair)	White	135°	100mm	720647901



See page 90 for full list of flue accessories.



## Key features

---

Outputs 24kW and 30kW

---

Compact cupboard fit

---

OpenTherm interface

---

Compatible with Baxi uSense

---

Simple hanging bracket

---

Pipes behind facility within the boiler casing

---

Top central flue

---

Easy-Fill permanent filling link

## Benefits

---

To meet different end user hot water requirements

---

Can be installed in a 290mm deep cupboard

---

Gives greater control of the boiler when installed with compatible OpenTherm controls

---

Heating can be operated via a smart device

---

Easy to install giving greater flexibility of pipework connections

---

Saves time, space and money by piping behind within the footprint of the boiler

---

Easier to replace old boiler, saving time

---

Single spring loaded lever enables end user to top up system pressures quickly and easily

\* Subject to registration and an annual service. Terms and conditions apply. Visit [baxi.co.uk/warranty](http://baxi.co.uk/warranty)



# Baxi 600 Combi LPG

The Baxi 600 Combi LPG is small enough to fit into a 290mm deep cupboard, has a built in pipes behind facility within the boiler casing and brass hydraulics. It's compatible with the Baxi uSense smart thermostat and comes with a 7 year extended warranty\*.

## Accessories

---

The following accessories are compatible with the Baxi 600 Combi LPG



Baxi IFOS (In Flue Outdoor Sensor)  
*See page 89 for options.*



7649277  
Baxi uSense smart thermostat



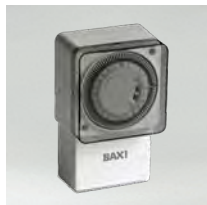
720030501  
Baxi 7 day programmable room thermostat



7212444  
Baxi single channel wired timer



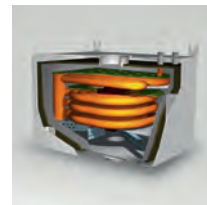
7212438  
Baxi single channel wired programmable room thermostat



720971401  
Baxi wall mounted timer



720971601  
Baxi wired room thermostat



7712941  
Multifit GasSaver GS2

# Technical specifications

HOW WE MAKE IT EASY

Wall mounted bracket for quick and simple installation.



## Boiler dimensions

Width [A]	Height [B]	Depth [C]
390mm	700mm	285mm

## Service clearances

Side [D]	Upper [E]	Lower [F]	Front [G]
5mm*	178mm*	200mm*	5mm in operation,* (* 450mm for servicing purposes)

\*These are the minimum recommended dimensions. Greater clearance will aid installation and maintenance.



## What's in the box?



Baxi 600 Combi LPG boiler



Wall mounted bracket



Literature and fitting pack



Easy-Fill permanent filling link



Copper pipe tails

# Technical details

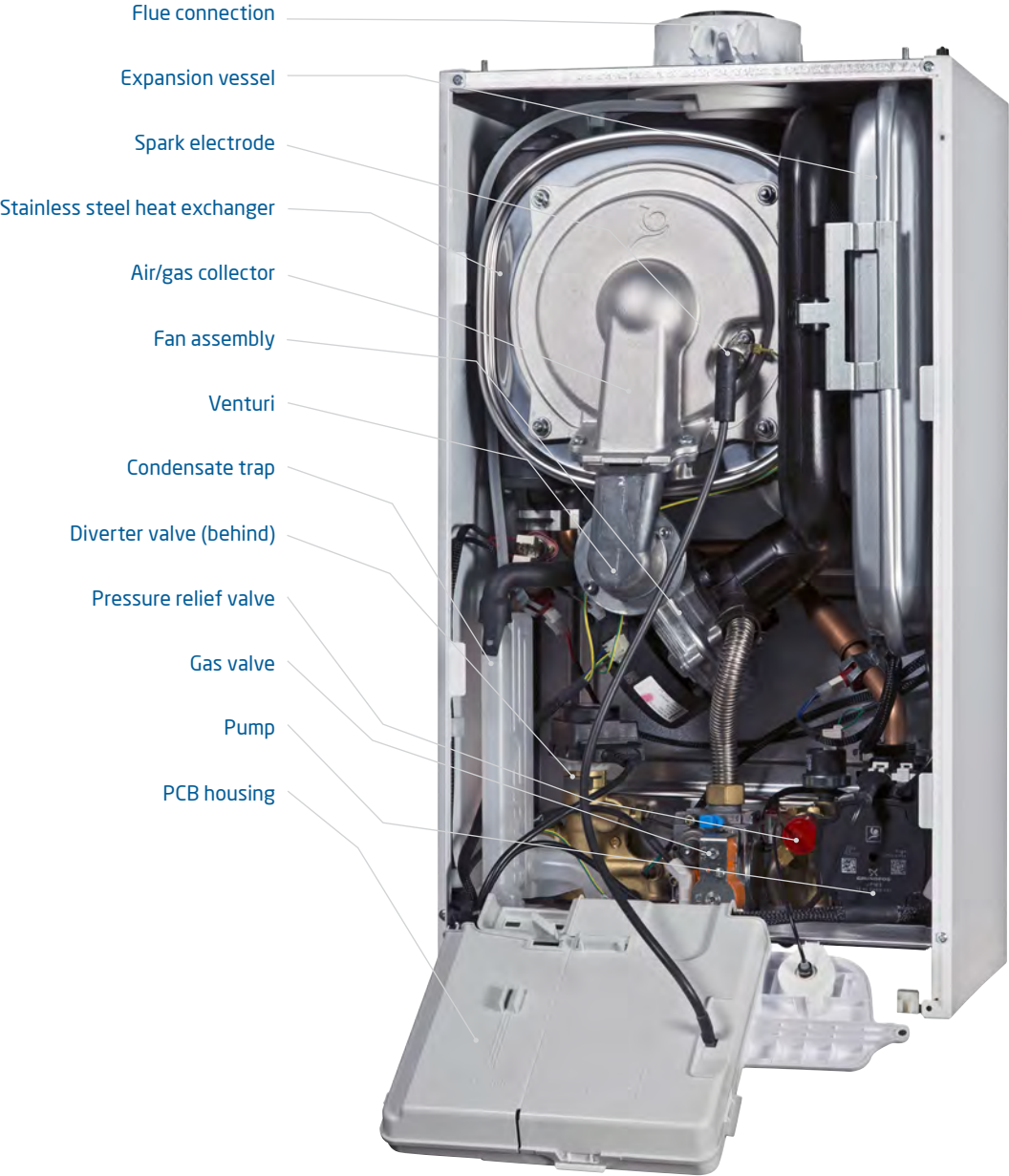
## Baxi 600 Combi LPG ErP

## 624 Combi LPG 630 Combi LPG

Sales code	Boiler only	7703803	7703804
<b>Controls and accessories</b>			
User adjustable DHW temperature	Range - 35°C to 60°C	✓	✓
User adjustable CH temperature	Range - 25°C to 80°C	✓	✓
Temp/status/fault diagnosis display		LCD display	LCD display
uSense Wired (optional accessory)	7649277	Optional	Optional
Wired 24hr Electro-mechanical timer (optional accessory)	720971401	Optional	Optional
7 Day RF Digital Programmable Room Thermostat (optional accessory)	720030501	Optional	Optional
Single Channel Wired Programmable Room Thermostat (optional accessory)	7212438	Optional	Optional
Single Channel Wired Timer (optional accessory)	7212444	Optional	Optional
Wired room Thermostat (optional accessory)	720971601	Optional	Optional
Wired Outdoor Weather Sensor (optional accessory)	7703233	Optional	Optional
Pre-plumbing jig accessory (optional accessory)	7682545	✓	✓
Rear pipework kit (optional accessory)	7682790	✓	✓
Remote secondary PRV kit (optional accessory)	5121379	✓	✓
Baxi iFOS (optional accessory)	7683084	Optional	Optional
<b>Gas</b>			
Natural gas		Refer to NG models on page 10	✓
Propane LPG		✓	✓
Inlet supply pressure (LPG)	mbar (nominal)	37	37
Maximum Gas Rate (G31) Qmax	m <sup>3</sup> /hr	1.98	2.38
NOx	mg/kWh	29.7	28.3
NOx class		6	6
Heat input CH (Nominal)	kW (Max) Gross (QnHs)	22.9	22.9
	kW (Min) Gross (QnHs)	6.9	6.9
Heat output CH (non condensing)	kW (Max) (Pn)	20	20
	kW (Min) (Pn)	6.1	6.2
Heat output CH (condensing)	kW (Max) (Pnc)	21.2	21.2
	kW (Min) (Pnc)	6.7	6.7
Heat input domestic hot water (Nominal)	kW max gross (QnwHs)	28.6	34.3
Heat output domestic hot water	kW max	25	30
SAP 2009 Annual Efficiency (PCDB/SEDBUK)		89%	89%
<b>ErP Product Information</b>			
Seasonal Space Heating Energy Efficiency		93%	93%
Sound power level, indoors	LWA dB	51	51
Space heating efficiency class		A	A
Water heating declared load profile		XL	XL
Water heating efficiency class		A	A
<b>Electrical</b>			
Electrical supply	Volts / Hz	230V / 50Hz	230V / 50Hz
Permanent live required		✓	✓
Electrical cable supplied	(0.75mm heat resistant flex)	x	x
Power consumption when firing	Watts	68	78
External fuse rating	Amps	3	3
Internal fuse rating	Amps	F2A H250V	F2A H250V
Boiler IP rating (electrical protection) without integral timer fitted	Approval Category	IPX5D	IPX5D
Circulating pump exercise feature		✓	✓
Pump overrun		✓	✓
Integral 'boiler only' frost thermostat		✓	✓
<b>Mechanical</b>			
Hanging Bracket		✓	✓
Isolating valves with pre-formed copper tails		✓	✓
Gas supply connection	(mm)	22	22
Central heating connections	(mm)	22	22
Domestic Hot Water connections	(mm)	15	15
Condensate discharge pipe connection	(mm)	21.5	21.5
Safety discharge pipe connection	(mm)	15	15
Easy-Fill permanent filling link		✓	✓
<b>Hydraulic</b>			
Maximum DHW flow rate (Delta T @ 35°C max)	l/min	10.2	12.2
Minimum DHW flow rate required	l/min	2	2
Minimum operating DHW pressure required	bar	0.5	0.5
Maximum DHW system pressure	bar	8	8
Safety discharge pressure	bar	3	3
Compartment ventilation required		x	x
Easy-Fill permanent filling link supplied		✓	✓
Integral expansion vessel	Size (litres)	7	7
Maximum capacity of CH system	Litres	100	100
Integral automatic bypass		✓	✓
CH System Inhibitor Required		✓	✓
<b>Concentric flue systems</b>			
Concentric flue diameters	mm	60/100 and 80/125	60/100 and 80/125
Standard telescopic horizontal flue (60/100mm)	mm	315-500	315-500
Standard horizontal flue kit (60/100mm)	mm	685	685
Max equiv length horizontal/vertical (60/100mm)	m	10	10
Max equiv length horizontal/vertical (80/125mm)	m	20	20
Equivalent length per 135° bend	m	0.50	0.50
Equivalent length per 93° bend	m	1.00	1.00
<b>Weights</b>			
Installer lift weight (boiler)	Max (kg)	29.2	29.2
Gross packaged boiler weight	(kg)	32.2	32.2

# What's inside the boiler?

Baxi 600 Combi LPG



HOW WE MAKE IT EASY

An industry-leading choice of flues.

# Flues

## Horizontal concentric flues Ø 60/100mm

### Multifit flue group A

Item description	Colour	Specification	Key and OD dimensions	Sales code
1 Horizontal telescopic flue inc. low profile elbow and fixing screws	White pipe/white terminal	315mm - 500mm	100mm	720599401
2 Horizontal telescopic flue inc. low profile elbow and fixing screws	White pipe/black terminal	315mm - 500mm	100mm	720598701
3 1m flue extension inc. fixing screws	White	1000mm	100mm	720648801
4 93° flue bend inc. fixing screws	White	93°	100mm	720648401
5 135° flue bend inc. fixing screws (pair)	White	135°	100mm	720647901
6 Standard horizontal flue inc. low profile elbow and fixing screws	White pipe/black terminal	685mm	100mm	7222019

## Plume displacement kits Ø 60/100mm

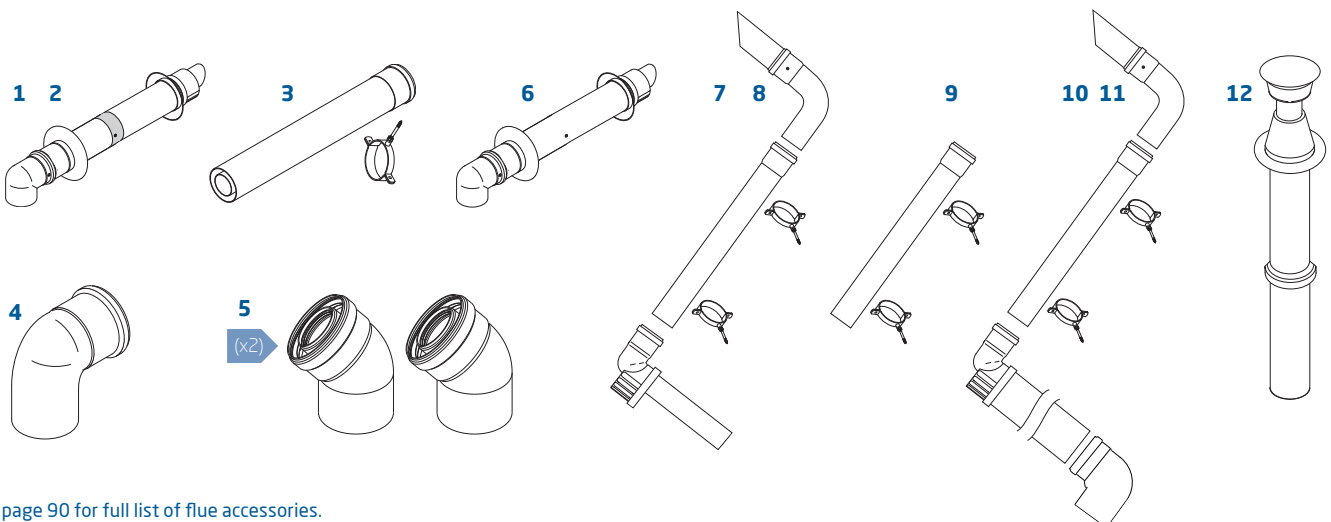
### Multifit flue group A

Item description	Colour	Specification	Key and OD dimensions	Sales code
7 Plume displacement terminal kit for telescopic flue inc 1m extension and brackets	White		60mm	720627001
8 Plume displacement terminal kit for telescopic flue inc 1m extension and brackets	Black		60mm	720622901
9 Plume displacement kit extension and brackets	White	1000mm	60mm	720643401
10 Plume displacement terminal kit inc. 1m extension and brackets	White		60mm	7225717
11 Plume displacement terminal kit inc. 1m extension and brackets	Black		60mm	7225716

## Vertical concentric flues Ø 60/100mm

### Multifit flue group A

Item description	Colour	Specification	Key and OD dimensions	Sales code
12 Vertical flue terminal	Black		100mm	5118576
3 1m flue extension inc. fixing screws	White	1000mm	100mm	720648801
4 93° flue bend inc. fixing screws	White	93°	100mm	720648401
5 135° flue bend inc. fixing screws (pair)	White	135°	100mm	720647901



See page 90 for full list of flue accessories.





## Key features

Outputs: 24kW and 28kW

Compact size

26kg lift weight

Simple hanging bracket

Modular fan gas air unit

Rigid filling link

Optional stand off frame

Industry leading choice of flue lengths, bends and accessories

Vertical packaging

OpenTherm Interface

## Benefits

To suit most property sizes

Can be installed in a 290mm deep cupboard

Easier to manoeuvre

For easy installation

For easy maintenance

For a neater finish

Neater installations for hidden pipework

For versatile siting and easy replacement

Easy to transport and unpack

Compatible with Baxi uSense smart wired thermostat

\* Subject to registration and an annual service. Terms and conditions apply. Visit [baxi.co.uk/warranty](http://baxi.co.uk/warranty)





*Baxi listened to the needs of installers and their customers and has designed a compact combi that will fit virtually anywhere, making it easier for installers to site the boiler.*

**Steve Turner**  
P&H Services Ltd, Kenilworth

# Baxi 400 Combi

The Baxi 400 is a high efficiency boiler; simple to use and provides plenty of heating and hot water. The boiler has a rigid filling loop for a neater finish and is compatible with smart controls that are operated using a smart phone or tablet. The reliable Baxi technology is backed by a five year parts and labour warranty\* for extra peace of mind.

## Accessories and controls

The following accessories are compatible with the Baxi 400 Combi



**Baxi IFOS (In Flue Outdoor Sensor)**  
See page 89 for options.



**7649277**  
Baxi uSense smart thermostat



**7658276**  
Baxi plug-in 24 hr single channel mechanical timer



**7658523**  
Baxi plug-in 7 day single channel digital timer



**7658781**  
Baxi plug-in receiver 24 hr single channel programmable mechanical room thermostat



**7658789**  
Baxi plug-in receiver 7 day RF digital single channel programmable room thermostat



**7212438**  
Baxi single channel wired programmable room thermostat



**7212444**  
Baxi single channel wired timer



**720971601**  
Baxi room thermostat



**7703233**  
Multifit wired outdoor sensor - Combi

# Technical specifications

HOW WE MAKE IT EASY

Wall mounted bracket for quick and simple installation.



## Boiler dimensions

Width [A]	Height [B]	Depth [C]
395mm	700mm	279mm

## Service clearances

Side [D]	Upper [E]	Lower [F]	Front [G]
5mm*	178mm*	200mm*	6mm in operation*, (* 450mm for servicing purposes)

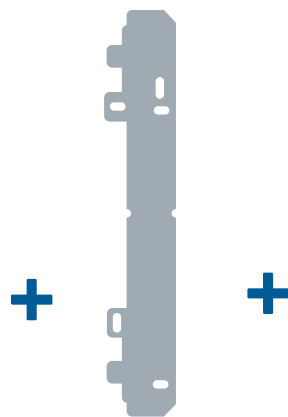
\*These are the minimum recommended dimensions. Greater clearance will aid installation and maintenance.



## What's in the box?



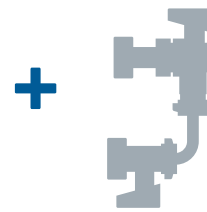
Baxi 400 Combi boiler



Wall mounted bracket



Literature and fitting pack



Filling loop



Copper pipe tails

# Technical details

## Baxi 400 Combi

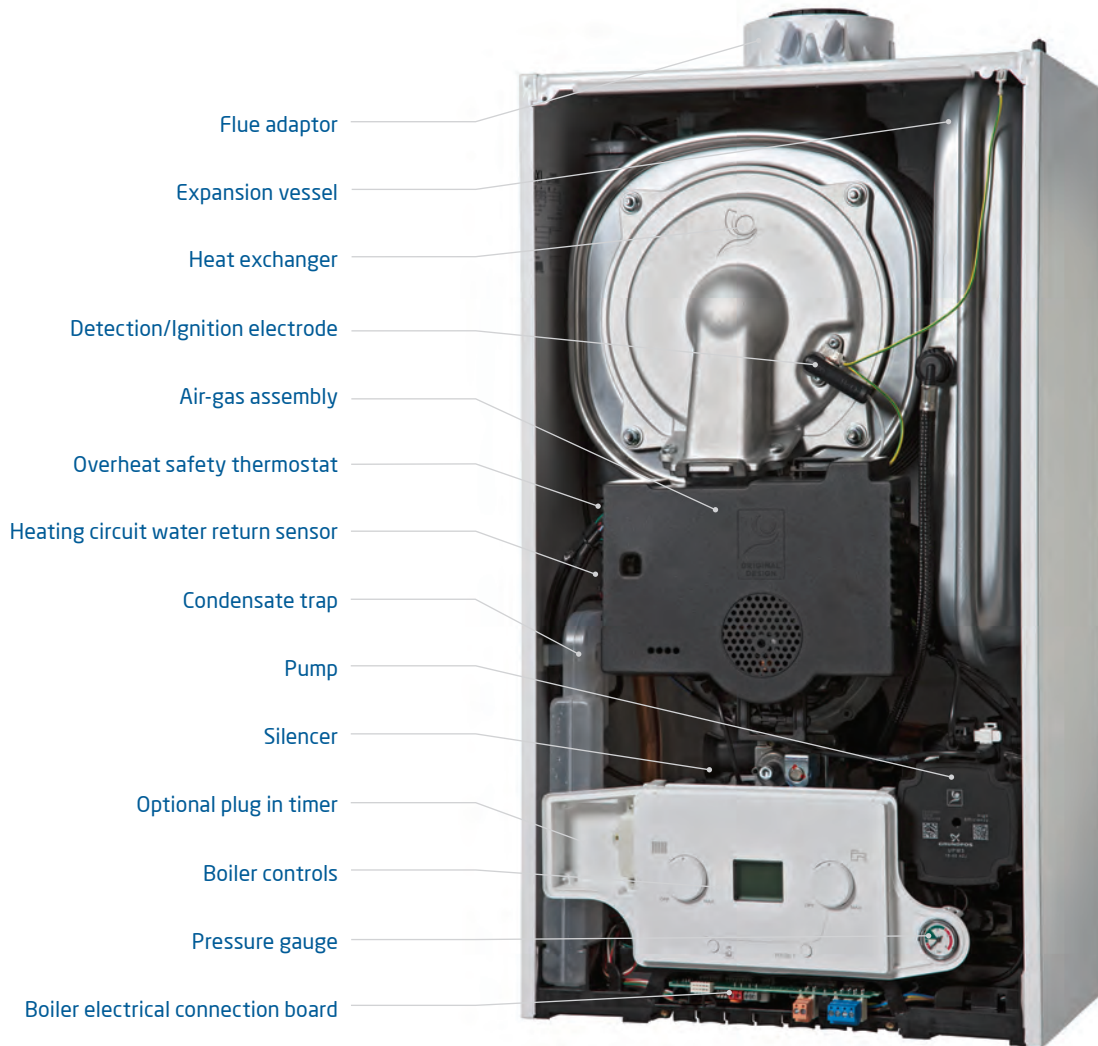
24 Combi

28 Combi

Sales code	Boiler only	7656162	7656163
<b>Accessories and controls</b>			
Concealed user controls		x	x
Operating mode selector switch with reset		✓	✓
User adjustable DHW temperature	Range - 35°C to 60°C	✓	✓
User adjustable CH temperature	Range - 25°C to 80°C	✓	✓
Temp/status/fault diagnosis display		LCD display	LCD display
Integral 24 hr electro-mechanical timer (247206)		Optional	Optional
Plug-in 24 hr mechanical timer combi (7658276)		Optional	Optional
Plug-in 7 day digital timer combi (7658523)		Optional	Optional
Plug-in receiver 24 hr RF programmable mechanical room thermostat-combi (7658781)		Optional	Optional
Plug-in receiver 7 day RF digital programmable mechanical room thermostat-combi (7658789)		Optional	Optional
Single channel 7 day wired programmable room thermostat-combi (7212438)		Optional	Optional
Single channel wired timer (7212444)		Optional	Optional
Room thermostat (720971601)		Optional	Optional
Baxi 200 and 400 stand off kit (7659335)		Optional	Optional
Baxi IFOS (7683084)		Optional	Optional
Baxi Easy-Fill (7665482)		Optional	Optional
<b>ErP Product Information</b>			
Seasonal Space Heating Energy Efficiency	%	93	93
NOx	mg/kWh	38	40
Sound power level, indoors	LWA dB	48	50
Space heating efficiency class		A	A
Water heating declared load profile		XL	XL
Water heating efficiency class		A	A
Heat input CH	kW (Max) Gross (QnHs)	22.87	27.42
	kW (Min) Gross (QnHs)	5.44	5.44
Heat output CH (non condensing) factory setting	kW (Max) (Pn)	20	20
	kW (Min) (Pn)	4.8	4.8
Heat output CH (condensing) factory setting	kW (Max) (Pnc)	21.8	21.8
	kW (Min) (Pnc)	5.2	5.2
<b>Gas</b>			
Gas supply connection	(mm)	22	22
Inlet supply pressure (natural gas)	mbar (nominal)	20	20
Maximum Gas Rate (nat Gas after 10 mins)	m <sup>3</sup> /hr	2.61	3.06
SAP 2009 annual efficiency (PCDB / SEDBUK)	%	89	89
NOx class		6	6
<b>Mechanical and hydraulic</b>			
Heat input domestic hot water (DHW)	kW max gross (QnHs)	27.4	32.1
Heat output domestic hot water	kW max	24	28
Maximum DHW flow rate (Delta T @ 35°C max)	l/min	9.8	11.5
Minimum DHW flow rate required	l/min	2	2
Minimum operating DHW pressure required	bar	0.15	0.15
Maximum DHW system pressure	bar	8	8
Safety discharge pressure	bar	3	3
Compartment ventilation required		x	x
Flow/return pipe size	(mm)	22	22
Filling loop supplied		✓	✓
Integral expansion vessel	Size (litres)	7	7
CH system inhibitor required		✓	✓
Condensate discharge pipe size	(mm)	21.5	21.5
<b>Electrical</b>			
Electrical supply	Volts/Hz	230V/50Hz	230V/50Hz
Permanent live required		✓	✓
Electrical cable required	core	3 x 0.75	3 x 0.75
Power consumption when firing	Watts	84	94
External fuse rating	Amps	3	3
Internal fuse rating - connection board	Amps	0.5	0.5
Internal fuse rating - Main PCB board	Amps	1.6	1.6
Boiler IP rating (electrical protection) without integral timer fitted	Approval Category	IPX5D	IPX5D
Circulating pump exercise feature		✓	✓
Pump overrun		✓	✓
Integral 'boiler only' frost thermostat		✓	✓
<b>Concentric flue system</b>			
Standard telescopic concentric flue	Length in mm	315-500	315-500
Horizontal and Vertical concentric (60/100mm)	Max equivalent length (m)	10	10
	Reduction Per 135° bend (m)	0.5	0.5
	Reduction Per 93° bend (m)	1	1
Horizontal and Vertical concentric (80/125mm)	Max equivalent length (m)	20	20
<b>Weights</b>			
Installer lift weight (boiler)	Max (kg)	26	26
Gross packaged boiler weight	(kg)	30	30

# What's inside the boiler?

Baxi 400 Combi



HOW WE MAKE IT EASY

**Telescopic horizontal flue option is quick and easy to fit.**

# Flues

## Horizontal concentric flues Ø 60/100mm

### Multifit flue group A

Item description	Colour	Specification	Key and OD dimensions	Sales code
1 Horizontal telescopic flue inc. low profile elbow and fixing screws	White pipe/white terminal	315mm - 500mm	100mm	720599401
2 Horizontal telescopic flue inc. low profile elbow and fixing screws	White pipe/black terminal	315mm - 500mm	100mm	720598701
3 1m flue extension inc. fixing screws and bracket	White	1000mm	100mm	720648801
4 93° flue bend inc. fixing screws	White	93°	100mm	720648401
5 135° flue bend inc. fixing screws (pair)	White	135°	100mm	720647901
6 Standard horizontal flue inc. low profile elbow and fixing screws	White pipe/black terminal	685mm	100mm	7222019

## Plume displacement kits Ø 60/100mm

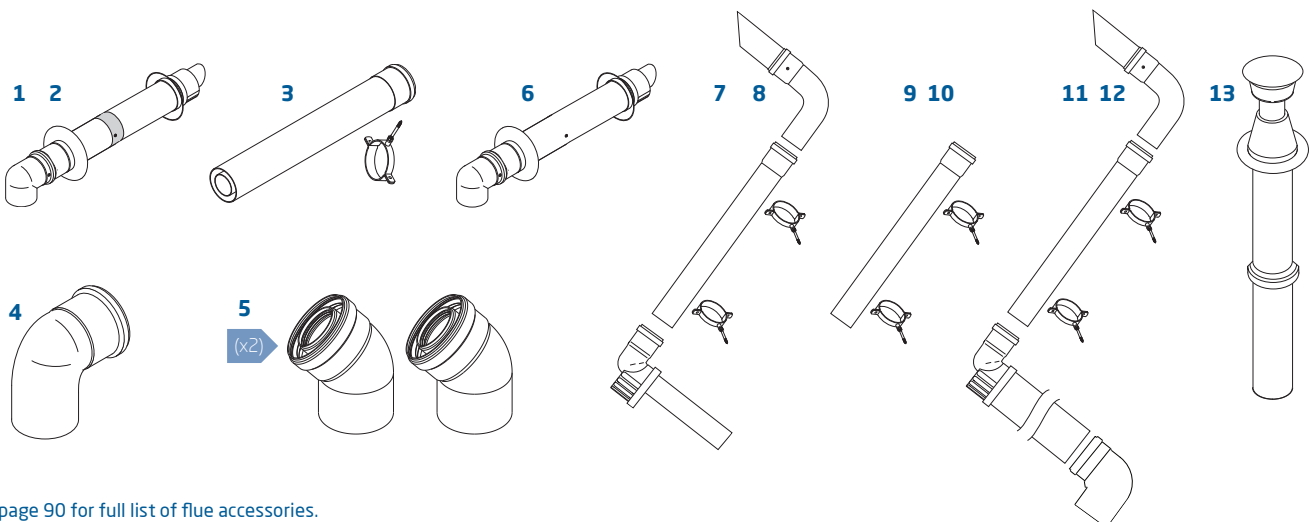
### Multifit flue group A

Item description	Colour	Specification	Key and OD dimensions	Sales code
7 Plume displacement terminal kit for telescopic flue inc 1m extension and brackets	White		60mm	720627001
8 Plume displacement terminal kit for telescopic flue inc 1m extension and brackets	Black		60mm	720622901
9 Plume displacement kit extension and brackets	White	1000mm	60mm	720643401
10 Plume displacement kit extension and brackets	Black	1000mm	60mm	720643301
11 Plume displacement terminal kit inc. 1m extension and brackets	White		60mm	7225717
12 Plume displacement terminal kit inc. 1m extension and brackets	Black		60mm	7225716

## Vertical concentric flues Ø 60/100mm

### Multifit flue group A

Item description	Colour	Specification	Key and OD dimensions	Sales code
13 Vertical flue terminal	Black		100mm	5118576
3 1m flue extension inc. fixing screws	White	1000mm	100mm	720648801
4 93° flue bend inc. fixing screws	White	93°	100mm	720648401
5 135° flue bend inc. fixing screws (pair)	White	135°	100mm	720647901



See page 90 for full list of flue accessories.



### Key features

- Output: 28kW
- Compact size
- 26kg lift weight
- Simple hanging bracket
- Modular fan gas air unit
- Rigid filling link
- Optional stand off frame
- Industry leading choice of flue lengths, bends and accessories
- Vertical packaging
- Opentherm interface

### Benefits

- Suitable for most properties
- Can be installed in a 290mm deep cupboard
- Easier to manoeuvre
- For easy installation
- For easy maintenance
- For a neater finish
- Neater installations for hidden pipework
- For versatile siting and easy replacement
- Easy to transport and unpack
- Compatible with Baxi uSense Smart Wired Thermostat

\*Subject to registration and an annual service. Terms and conditions apply. Visit [baxi.co.uk/warranty](http://baxi.co.uk/warranty)



# Baxi 400 Combi LPG

The Baxi 400 LPG is a high efficiency boiler; simple to use and provides plenty of heating and hot water. The boiler has a rigid filling loop for a neater finish and has the option to be operated using a smart phone or tablet. The reliable Baxi technology is backed by a five year parts and labour warranty\* for extra peace of mind.

## Accessories and controls

The following accessories are compatible with the Baxi 400 Combi LPG



Baxi IFOS (In Flue Outdoor Sensor)  
See page 89 for options.



7649277  
Baxi uSense smart thermostat



7658276  
Baxi plug-in 24 hr single channel mechanical timer



7658523  
Baxi plug-in 7 day single channel digital timer



7658789  
Baxi plug-in receiver 7 day RF digital single channel programmable room thermostat



7212438  
Baxi single channel wired programmable room thermostat



7212444  
Baxi single channel wired timer



720971601  
Baxi room thermostat



720030501  
Baxi combi wireless 7 Day programmable room stat

# Technical specifications

HOW WE MAKE IT EASY

Wall mounted bracket for quick and simple installation.



## Boiler dimensions

Width [A]	Height [B]	Depth [C]
395mm	700mm	279mm

## Service clearances

Side [D]	Upper [E]	Lower [F]	Front [G]
5mm*	178mm*	200mm*	6mm in operation*, (* 450mm for servicing purposes)

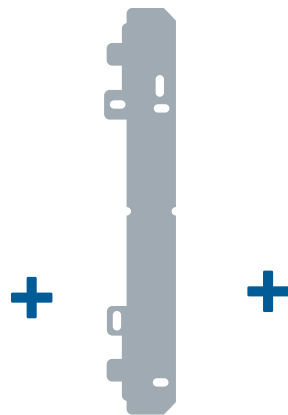
\*These are the minimum recommended dimensions. Greater clearance will aid installation and maintenance.



## What's in the box?



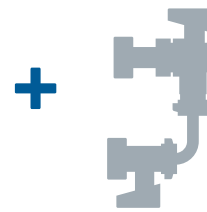
Baxi 400 Combi LPG boiler



Wall mounted bracket



Literature and fitting pack



Filling loop



Copper pipe tails



# Technical details

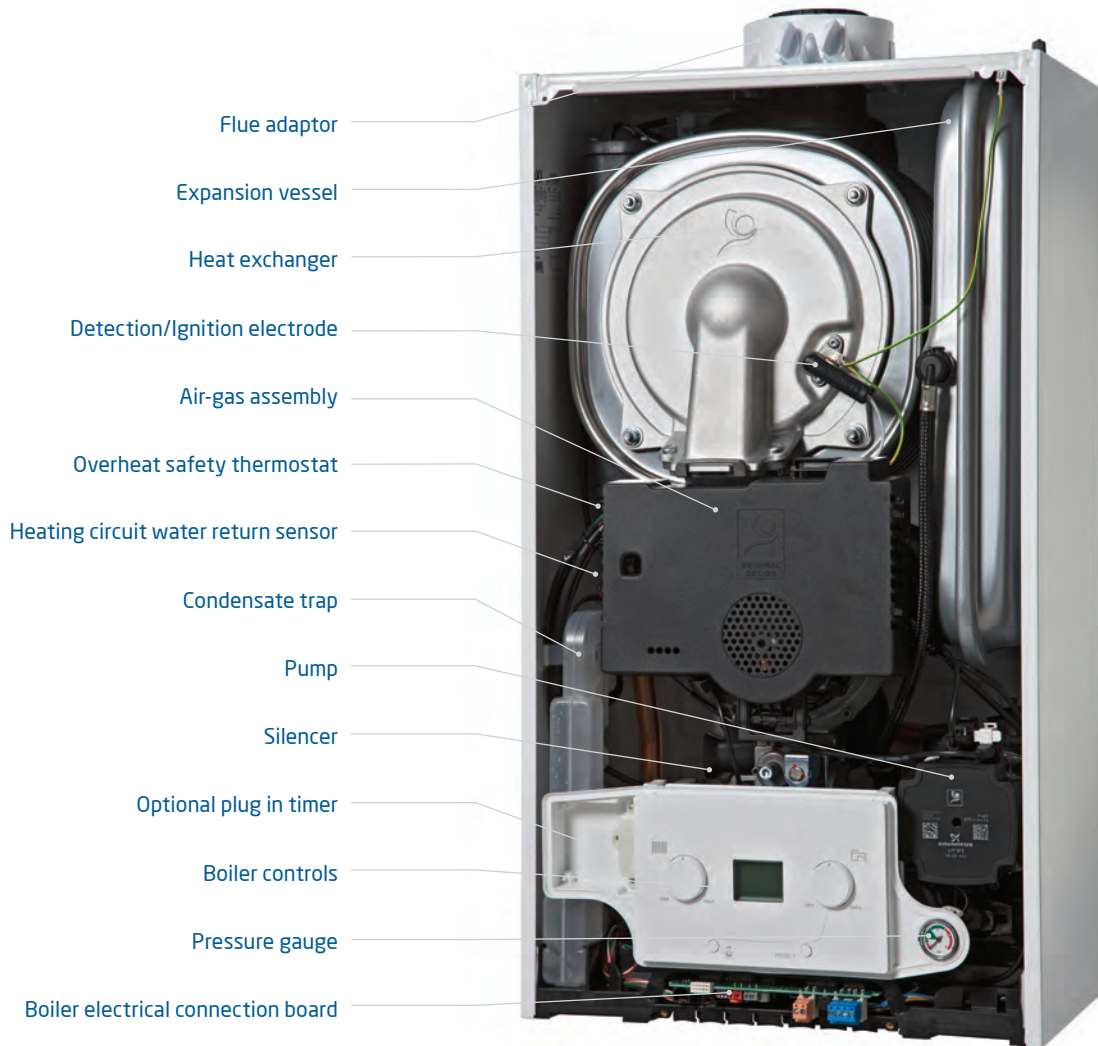
## Baxi 400 Combi

## 28 Combi LPG

Sales code	Boiler only	7676760
<b>Accessories and controls</b>		
Concealed user controls		X
Operating mode selector switch with reset		✓
User adjustable DHW temperature	Range - 35°C to 60°C	✓
User adjustable CH temperature	Range - 25°C to 80°C	✓
Temp/status/fault diagnosis display		LCD display
Integral 24 hr electro-mechanical timer (247206)		Optional
Plug-in 24 hr mechanical timer combi (7658276)		Optional
Plug-in 7 day digital timer combi (7658523)		Optional
Plug-in receiver 24 hr RF programmable mechanical room thermostat-combi (7658781)		Optional
Plug-in receiver 7 day RF digital programmable mechanical room thermostat-combi (7658789)		Optional
Single channel 7 day wired programmable room thermostat-combi (7212438)		Optional
Single channel wired timer (7212444)		Optional
Room thermostat (720971601)		Optional
Baxi 200 and 400 stand off kit (7659335)		Optional
Baxi IFOS (7683084)		Optional
<b>ErP Product Information</b>		
Seasonal Space Heating Energy Efficiency	%	93
NOx	mg/kWh	40
Sound power level, indoors	LWA dB	50
Space heating efficiency class		A
Water heating declared load profile		XL
Water heating efficiency class		A
Heat input CH	kW (Max) Gross (QnHs)	27.42
	kW (Min) Gross (QnHs)	5.44
Heat output CH (non condensing) factory setting	kW (Max) (Pn)	20
	kW (Min) (Pn)	4.8
Heat output CH (condensing) factory setting	kW (Max) (Pnc)	21.8
	kW (Min) (Pnc)	5.2
<b>Gas</b>		
Gas supply connection	(mm)	22
Inlet supply pressure (natural gas)	mbar (nominal)	20
Maximum Gas Rate (nat Gas after 10 mins)	m <sup>3</sup> /hr	3.06
SAP 2009 annual efficiency (PCDB / SEDBUK)	%	89
NOx class		6
<b>Mechanical and hydraulic</b>		
Heat input domestic hot water (DHW)	kW max gross (QnWHs)	32.1
Heat output domestic hot water	kW max	28
Maximum DHW flow rate (Delta T @ 35°C max)	l/min	11.5
Minimum DHW flow rate required	l/min	2
Minimum operating DHW pressure required	bar	0.15
Maximum DHW system pressure	bar	8
Safety discharge pressure	bar	3
Compartment ventilation required		X
Flow/return pipe size	(mm)	22
Filling loop supplied		✓
Integral expansion vessel	Size (litres)	7
CH system inhibitor required		✓
Condensate discharge pipe size	(mm)	21.5
<b>Electrical</b>		
Electrical supply	Volts/Hz	230V/50Hz
Permanent live required		✓
Electrical cable required	core	3 x 0.75
Power consumption when firing	Watts	94
External fuse rating	Amps	3
Internal fuse rating - connection board	Amps	0.5
Internal fuse rating - Main PCB board	Amps	1.6
Boiler IP rating (electrical protection) without integral timer fitted	Approval Category	IPX5D
Circulating pump exercise feature		✓
Pump overrun		✓
Integral 'boiler only' frost thermostat		✓
<b>Concentric flue system</b>		
Standard telescopic concentric flue	Length in mm	315-500
Horizontal and Vertical concentric (60/100mm)	Max equivalent length (m)	10
	Reduction Per 135° bend (m)	0.5
	Reduction Per 93° bend (m)	1
Horizontal and Vertical concentric (80/125mm)	Max equivalent length (m)	20
<b>Weights</b>		
Installer lift weight (boiler)	Max (kg)	26
Gross packaged boiler weight	(kg)	30.5

# What's inside the boiler?

Baxi 400 Combi LPG



HOW WE MAKE IT EASY

**Telescopic horizontal  
flue option is quick  
and easy to fit.**

# Flues

## Horizontal concentric flues Ø 60/100mm

### Multifit flue group A

Item description	Colour	Specification	Key and OD dimensions	Sales code
1 Horizontal telescopic flue inc. low profile elbow and fixing screws	White pipe/white terminal	315mm - 500mm	100mm	720599401
2 Horizontal telescopic flue inc. low profile elbow and fixing screws	White pipe/black terminal	315mm - 500mm	100mm	720598701
3 1m flue extension inc. fixing screws and bracket	White	1000mm	100mm	720648801
4 93° flue bend inc. fixing screws	White	93°	100mm	720648401
5 135° flue bend inc. fixing screws (pair)	White	135°	100mm	720647901
6 Standard horizontal flue inc. low profile elbow and fixing screws	White pipe/black terminal	685mm	100mm	7222019

## Plume displacement kits Ø 60/100mm

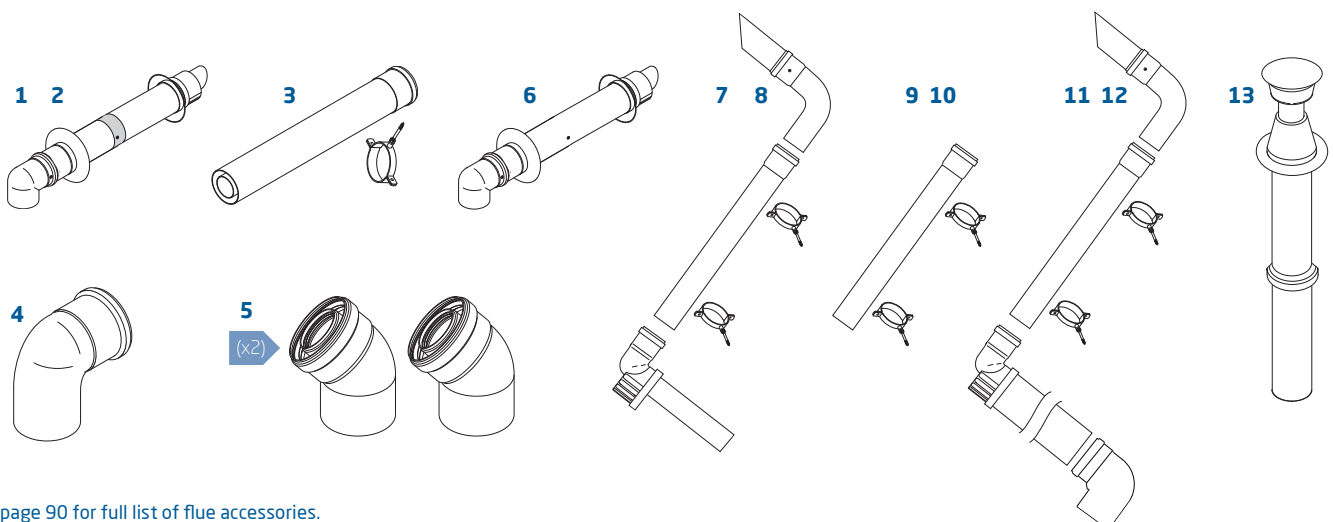
### Multifit flue group A

Item description	Colour	Specification	Key and OD dimensions	Sales code
7 Plume displacement terminal kit for telescopic flue inc 1m extension and brackets	White		60mm	720627001
8 Plume displacement terminal kit for telescopic flue inc 1m extension and brackets	Black		60mm	720622901
9 Plume displacement kit extension and brackets	White	1000mm	60mm	720643401
10 Plume displacement kit extension and brackets	Black	1000mm	60mm	720643301
11 Plume displacement terminal kit inc. 1m extension and brackets	White		60mm	7225717
12 Plume displacement terminal kit inc. 1m extension and brackets	Black		60mm	7225716

## Vertical concentric flues Ø 60/100mm

### Multifit flue group A

Item description	Colour	Specification	Key and OD dimensions	Sales code
13 Vertical flue terminal	Black		100mm	5118576
3 1m flue extension inc. fixing screws	White	1000mm	100mm	720648801
4 93° flue bend inc. fixing screws	White	93°	100mm	720648401
5 135° flue bend inc. fixing screws (pair)	White	135°	100mm	720647901



See page 90 for full list of flue accessories.



### Key features

- ---

Outputs: 24kW and 28kW
- ---

Compact size
- ---

26kg lift weight
- ---

Simple hanging bracket
- ---

Modular fan gas air unit
- ---

Easily accessible electrical connections
- ---

Optional stand off frame
- ---

Industry leading choice of flue lengths, bends and accessories
- ---

Vertical packaging
- ---

Opentherm interface

### Benefits

- ---

To suit most property sizes
- ---

Can be installed in a 290mm deep cupboard
- ---

Easier to manoeuvre
- ---

For easy installation
- ---

For easy maintenance
- ---

For easy installation
- ---

Neater installations for hidden pipework
- ---

For versatile siting and easy replacement
- ---

Easy to transport and unpack
- ---

Compatible with Baxi uSense Smart Wired Thermostat

\*Subject to registration and an annual service. Terms and conditions apply. Visit [baxi.co.uk/warranty](http://baxi.co.uk/warranty)



*I really like the way this boiler is put together. Everything lined up really well and I had it on the wall in no time. It is light and easy to handle, and provided plenty of hot water very quickly.*

**Andrew Lynch**  
A Lynch Plumbing and Heating Ltd, Chorley

# Baxi 200 Combi

The Baxi 200 is a high efficiency boiler; simple to use and provides plenty of heating and hot water. The boiler is compact and small enough to fit in a kitchen cupboard and has the option to be operated using a smart phone or tablet. The reliable Baxi technology is backed by a three year parts and labour warranty\* for peace of mind.

## Accessories and controls

The following accessories are compatible with the Baxi 200 Combi



Baxi IFOS (In Flue Outdoor Sensor)  
See page 89 for options.



**7649277**  
Baxi uSense smart thermostat



**7658276**  
Baxi plug-in 24 hr single channel mechanical timer



**7658523**  
Baxi plug-in 7 day single channel digital timer



**7658781**  
Baxi plug-in receiver 24 hr single channel programmable mechanical room thermostat



**7658789**  
Baxi plug-in receiver 7 day RF digital single channel programmable room thermostat



**7212438**  
Baxi single channel wired programmable room thermostat



**7212444**  
Baxi single channel wired timer



**720971601**  
Baxi room thermostat

# Technical specifications

HOW WE MAKE IT EASY

Easy to manoeuvre at only 26kg.



## Boiler dimensions

Width [A]	Height [B]	Depth [C]
395mm	700mm	279mm

## Service clearances

Side [D]	Upper [E]	Lower [F]	Front [G]
5mm*	178mm*	200mm*	6mm in operation,* (* 450mm for servicing purposes)

\*These are the minimum recommended dimensions. Greater clearance will aid installation and maintenance.



## What's in the box?



Baxi 200 Combi boiler



Wall mounted bracket



Literature and fitting pack



Copper pipe tails



# Technical details

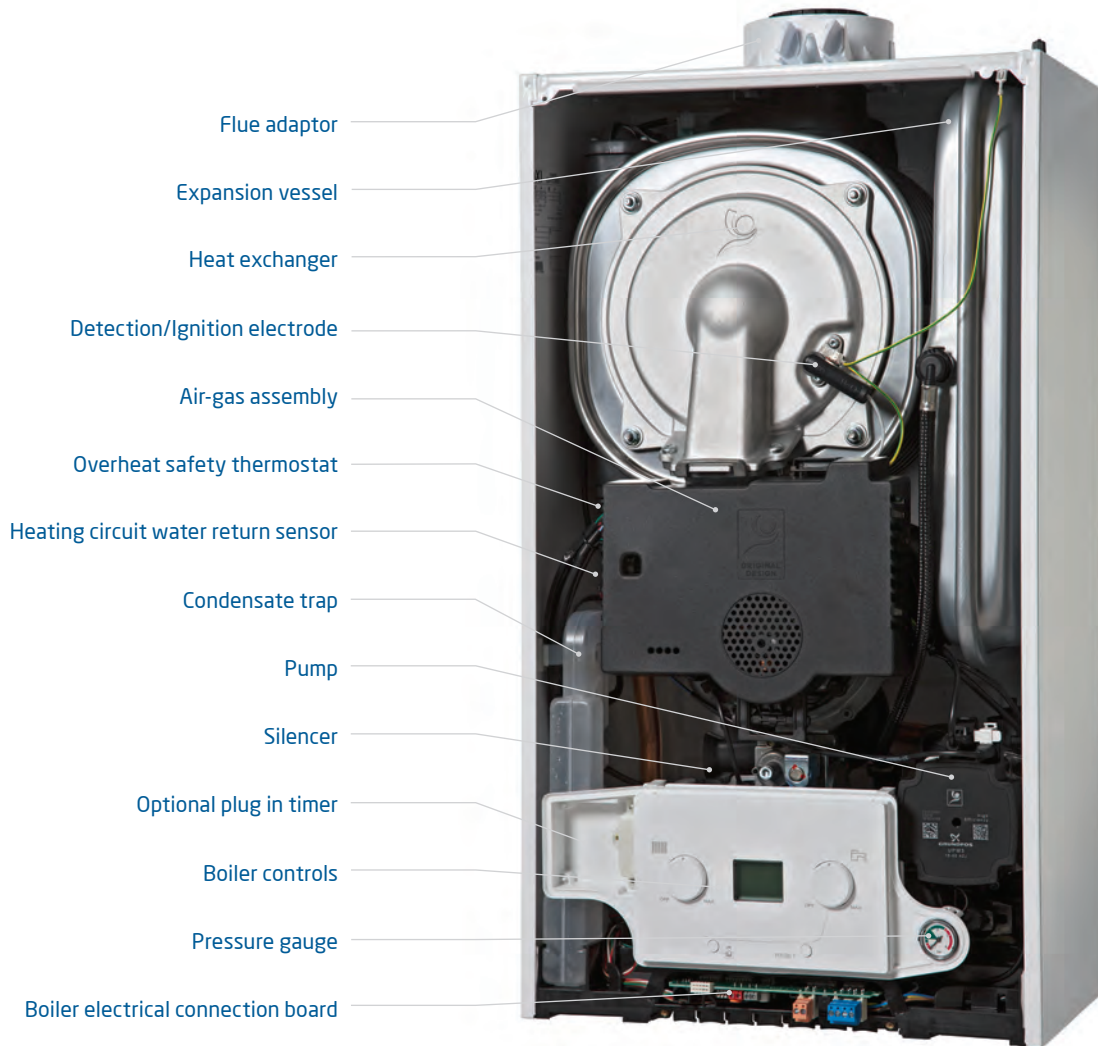
## Baxi 200 Combi

		24 Combi	28 Combi
Sales code	Boiler only	7656160	7656161
<b>Accessories and controls</b>			
Concealed user controls		x	x
Operating mode selector switch with reset		✓	✓
User adjustable DHW temperature	Range - 35°C to 60°C	✓	✓
User adjustable CH temperature	Range - 25°C to 80°C	✓	✓
Temp/status/fault diagnosis display		LCD display	LCD display
Integral 24 hr electro-mechanical timer (247206)		Optional	Optional
Plug-in 24 hr mechanical timer combi (7658276)		Optional	Optional
Plug-in 7 day digital timer combi (7658523)		Optional	Optional
Plug-in receiver 24 hr RF programmable mechanical room thermostat-combi (7658781)		Optional	Optional
Plug-in receiver 7 day RF digital programmable mechanical room thermostat-combi (7658789)		Optional	Optional
Single channel 7 day wired programmable room thermostat-combi (7212438)		Optional	Optional
Single channel wired timer (7212444)		Optional	Optional
Room thermostat (720971601)		Optional	Optional
Baxi 200 and 400 stand off kit (7659335)		Optional	Optional
Multifit filling loop (248221)		Optional	Optional
Multifit Rigid Filling Link (7689034)		Optional	Optional
Baxi IFOS (7683084)		Optional	Optional
Baxi Easy-Fill (7665482)		Optional	Optional
<b>ErP Product Information</b>			
Seasonal Space Heating Energy Efficiency	%	93	93
NOx	mg/kWh	38	40
Sound power level, indoors	LWA dB	48	50
Space heating efficiency class		A	A
Water heating declared load profile		XL	XL
Water heating efficiency class		A	A
Heat input CH	kW (Max) Gross (QnHs)	22.87	27.42
	kW (Min) Gross (QnHs)	5.44	5.44
Heat output CH (non condensing) factory setting	kW (Max) (Pn)	20	20
	kW (Min) (Pn)	4.8	4.8
Heat output CH (condensing) factory setting	kW (Max) (Pnc)	21.8	21.8
	kW (Min) (Pnc)	5.2	5.2
<b>Gas</b>			
Gas supply connection	(mm)	22	22
Inlet supply pressure (natural gas)	mbar (nominal)	20	20
Maximum Gas Rate (nat Gas after 10 mins)	m <sup>3</sup> /hr	2.61	3.06
SAP 2009 annual efficiency (PCDB / SEDBUK)	%	89	89
NOx class		6	6
<b>Mechanical and hydraulic</b>			
Heat input domestic hot water (DHW)	kW max gross (QnHs)	27.4	32.1
Heat output domestic hot water	kW max	24	28
Maximum DHW flow rate (Delta T @ 35°C max)	l/min	9.8	11.5
Minimum DHW flow rate required	l/min	2	2
Minimum operating DHW pressure required	bar	0.15	0.15
Maximum DHW system pressure	bar	8	8
Safety discharge pressure	bar	3	3
Compartment ventilation required		x	x
Flow/return pipe size	(mm)	22	22
Temporary filling loop supplied		x	x
Integral expansion vessel	Size (litres)	7	7
CH system inhibitor required		✓	✓
Condensate discharge pipe size	(mm)	21.5	21.5
<b>Electrical</b>			
Electrical supply	Volts/Hz	230V/50Hz	230V/50Hz
Permanent live required		✓	✓
Electrical cable required	core	3 x 0.75	3 x 0.75
Power consumption when firing	Watts	84	94
External fuse rating	Amps	3	3
Internal fuse rating - connection board	Amps	0.5	0.5
Internal fuse rating - Main PCB board	Amps	1.6	1.6
Boiler IP rating (electrical protection) without integral timer fitted	Approval Category	IPX5D	IPX5D
Circulating pump exercise feature		✓	✓
Pump overrun		✓	✓
Integral 'boiler only' frost thermostat		✓	✓
<b>Concentric flue system</b>			
Standard telescopic concentric flue	Length in mm	315-500	315-500
Horizontal and Vertical concentric (60/100mm)	Max equivalent length (m)	10	10
	Reduction Per 135° bend (m)	0.5	0.5
	Reduction Per 93° bend (m)	1	1
Horizontal and Vertical concentric (80/125mm)	Max equivalent length (m)	20	20
<b>Weights</b>			
Installer lift weight (boiler)	Max (kg)	26	26
Gross packaged boiler weight	(kg)	30	30



# What's inside the boiler?

## Baxi 200 Combi



HOW WE MAKE IT EASY

**An industry-leading  
choice of flues.**

# Flues

## Horizontal concentric flues Ø 60/100mm

### Multifit flue group A

Item description	Colour	Specification	Key and OD dimensions	Sales code
1 Horizontal telescopic flue inc. low profile elbow and fixing screws	White pipe/white terminal	315mm - 500mm	100mm	720599401
2 Horizontal telescopic flue inc. low profile elbow and fixing screws	White pipe/black terminal	315mm - 500mm	100mm	720598701
3 1m flue extension inc. fixing screws and bracket	White	1000mm	100mm	720648801
4 93° flue bend inc. fixing screws	White	93°	100mm	720648401
5 135° flue bend inc. fixing screws (pair)	White	135°	100mm	720647901
6 Standard horizontal flue inc. low profile elbow and fixing screws	White pipe/black terminal	685mm	100mm	7222019

## Plume displacement kits Ø 60/100mm

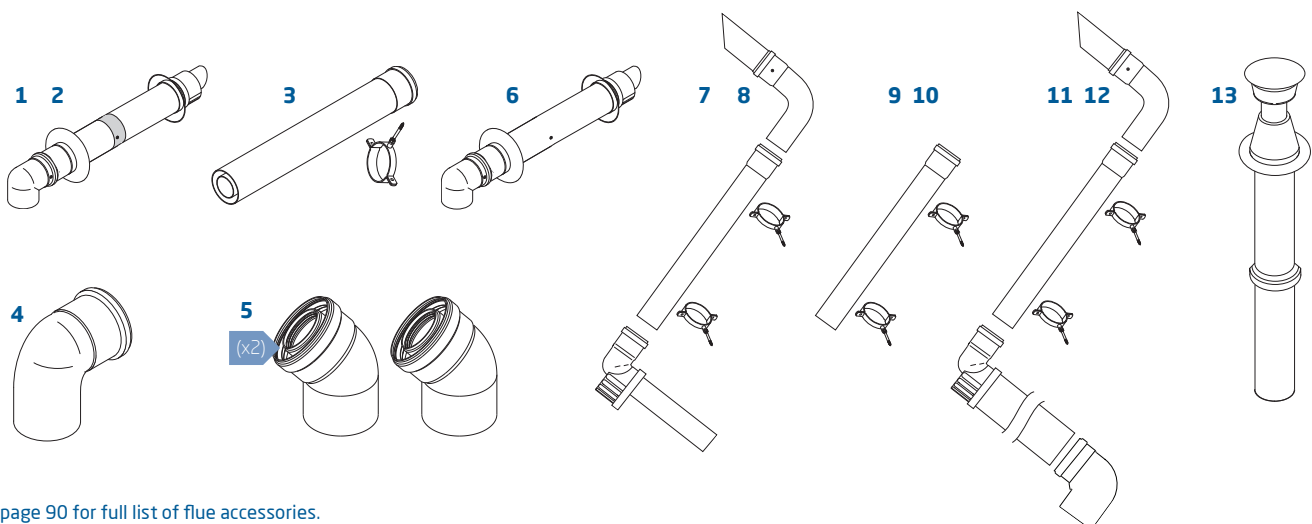
### Multifit flue group A

Item description	Colour	Specification	Key and OD dimensions	Sales code
7 Plume displacement terminal kit for telescopic flue inc 1m extension and brackets	White		60mm	720627001
8 Plume displacement terminal kit for telescopic flue inc 1m extension and brackets	Black		60mm	720622901
9 Plume displacement kit extension and brackets	White	1000mm	60mm	720643401
10 Plume displacement kit extension and brackets	Black	1000mm	60mm	720643301
11 Plume displacement terminal kit inc. 1m extension and brackets	White		60mm	7225717
12 Plume displacement terminal kit inc. 1m extension and brackets	Black		60mm	7225716

## Vertical concentric flues Ø 60/100mm

### Multifit flue group A

Item description	Colour	Specification	Key and OD dimensions	Sales code
13 Vertical flue terminal	Black		100mm	5118576
3 1m flue extension inc. fixing screws	White	1000mm	100mm	720648801
4 93° flue bend inc. fixing screws	White	93°	100mm	720648401
5 135° flue bend inc. fixing screws (pair)	White	135°	100mm	720647901



See page 90 for full list of flue accessories.



### Feature

- Outputs of 18kW and 24kW
- Compact Adey Magnaclean Micro2 magnetic system filter included
- Compact cupboard fit
- Simple hanging bracket
- Pipes behind facility within the boiler casing
- Fully modulating and highly efficient
- Top central flue
- Brass hydraulics block
- Front access to all components
- Compatible with Multifit flue kits

### Benefit

- An output and model for most sizes of property
- Protects the heating system and boiler
- Can be installed in a 290mm deep cupboard
- Easy to install giving greater flexibility of pipework connections
- Save time, space and money by piping behind within the footprint of the boiler
- Boiler intelligently uses the right amount of fuel to meet the set central heating temperatures, saving money on fuel bills
- Easier to replace old boiler, saving time
- Trusted and robust
- Saves time when servicing
- Industry leading choice of bends, lengths and accessories

\*Subject to registration and an annual service. Terms and conditions apply. Visit [baxi.co.uk/warranty](http://baxi.co.uk/warranty)



# Baxi 800 System

The Baxi 800 System has a 10 year parts and labour warranty\* and includes a compact Adey Magnaclean Micro2 magnetic system filter to protect the boiler and heating system.

The boiler is small enough to fit into a 290mm deep cupboard, has a built in pipes behind facility within the boiler casing and brass hydraulics. It is compatible with Megaflo Eco cylinders, making it the perfect choice for homes with high demand for hot water.

## Accessories and controls

---

The following accessories are compatible with the Baxi 800 System



Baxi IFOS System  
(In Flue Outdoor  
Sensor)  
*See page 89  
for options.*



7211473  
Potterton EP  
series 2



7212443  
Baxi twin channel  
wired programmer



720971601  
Baxi wired room  
thermostat



Megaflo Eco cylinder  
*See [www.heatraesadia.com](http://www.heatraesadia.com)  
for range of cylinders.*

# Technical specifications

HOW WE MAKE IT EASY

Easy to manoeuvre at only 28.1kg.



## Boiler dimensions

Width [A]	Height [B]	Depth [C]
390mm	700mm	285mm

## Service clearances

Side [D]	Upper [E]	Lower [F]	Front [G]
5mm*	178mm*	200mm*	5mm in operation,* (* 450mm for servicing purposes)

\*These are the minimum recommended dimensions. Greater clearance will aid installation and maintenance.



## What's in the box?



Baxi 800 System boiler



Wall mounted bracket



Adey Magnaclean Micro2 magnetic system filter



Literature and fitting pack



Copper pipe tails

# Technical details

## Baxi 800 System

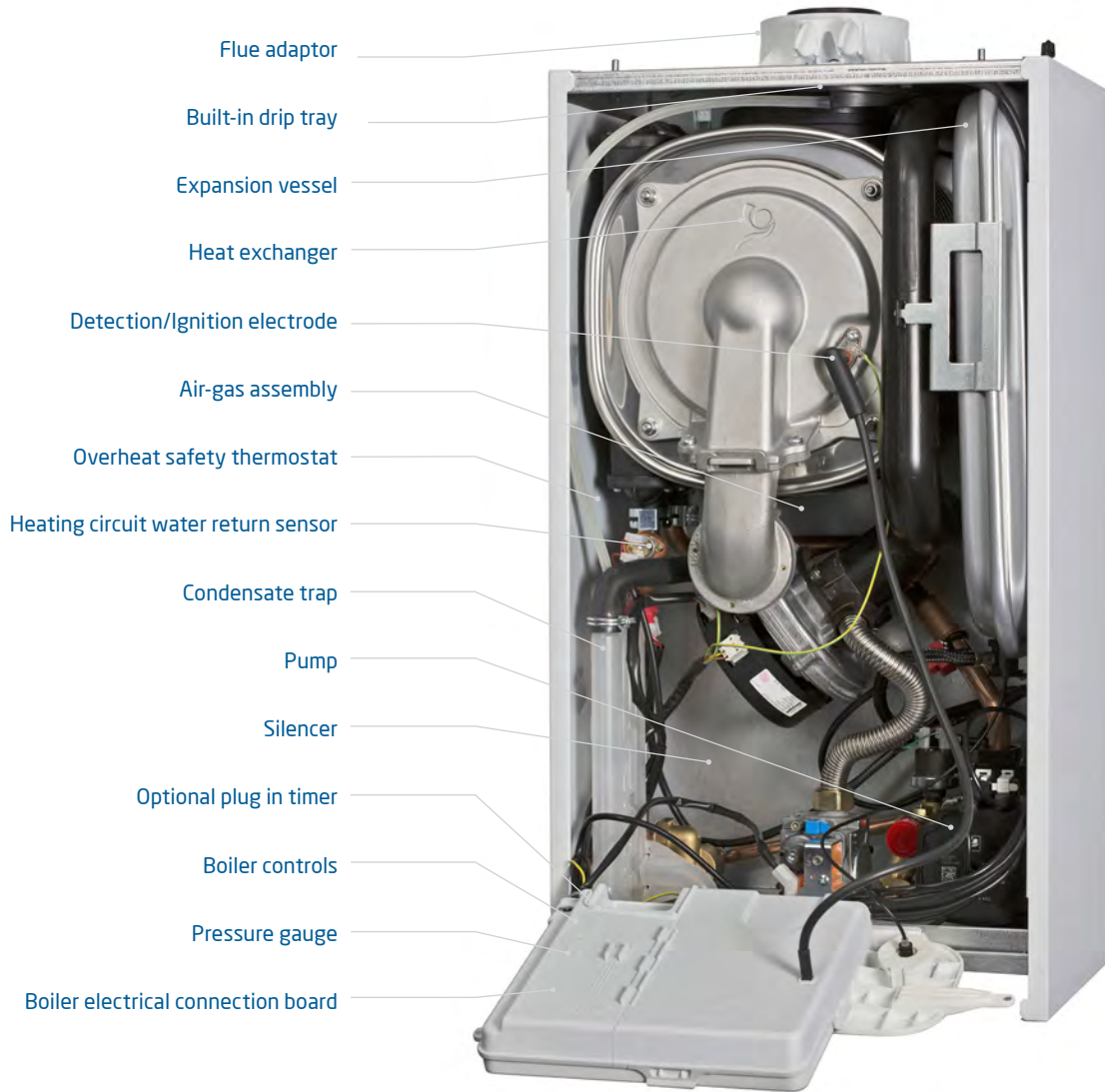
## 818 System

## 824 System

Sales code	Boiler only	7728645	7728289
<b>Controls and accessories</b>			
User adjustable DHW temperature	Range - 30°C to 60°C	N/A	N/A
User adjustable CH temperature	Range - 25°C to 80°C	✓	✓
Temp/status/fault diagnosis display		LCD Display	LCD Display
Wired Room Thermostat (optional accessory)	720971601	Optional	Optional
Multifit Twin Channel Wired Programmer (optional accessory)	7212443	Optional	Optional
Multifit IFOS weather compensation (optional accessory)	7724181	Optional	Optional
Multifit IFOS Extension (optional accessory)	7724260	Optional	Optional
Multifit IFOS System (optional accessory)	7729979	Optional	Optional
Ridge Tile IFOS (optional accessory)	7729943	Optional	Optional
Pre-Plumb jig (optional accessory)	7682545	Optional	Optional
Rear Pipework Kit (optional accessory)	7682790	Optional	Optional
Remote Secondary PRV kit (optional accessory)	5121379	Optional	Optional
<b>Gas</b>			
User adjustable DHW temperature		✓	✓
Inlet supply pressure (natural gas)		N/A	N/A
	mbar (nominal)	20	20
Maximum Gas Rate (G20) Qmax	m <sup>3</sup> /hr	1.96	2.61
NOx	mg/kWh	30	28
NOx Class		6	6
Heat input CH	kW (max) Gross (QnHs)	20.6	27.4
	kW (min) Gross (QnHs)	5.2	5.2
Heat Output CH (non-condensing)	kW (Max) (Pn)	18	24
	kW (Min) (Pn)	4.5	4.5
Heat Output CH (condensing)	kW (Max) (Pnc)	19.4	25.8
	kW (Min) (Pnc)	4.9	4.9
Heat Input Domestic Hot Water (DHW)	kW max gross (QnWHs)	N/A	N/A
Heat Output Domestic Hot Water (DHW)	kW max	N/A	N/A
<b>ErP Product Information</b>			
Seasonal Space Heating Energy Efficiency		93%	93%
Sound Power Levels, indoors	lWA dB	48	48
Space Heating Efficiency Class		A	A
Water Heating Declared Load Profile		N/A	N/A
Water Heating Efficiency class		N/A	N/A
<b>Electrical</b>			
Electrical Supply	Volts / Hz	230 / 50	230 / 50
Permanent Live Required		✓	✓
Electrical Cable Supplied	(0.75mm heat resistant flex)	✗	✗
Power consumption when firing	Watts	70	100
External fuse rating	Amps	3	3
Internal fuse rating	Amps	F2A H250V	F2A H250V
Boiler IP rating (electrical protection) without integral timer fixed	Approval category	IPX5D	IPX5D
Circulating pump exercise feature		✓	✓
Pump Overrun		✓	✓
Integral 'boiler only' Frost Thermostat		✓	✓
<b>Mechanical</b>			
Hanging Bracket		✓	✓
Isolating valves with pre-formed copper tails		✓	✓
Gas supply Connection	(mm)	22	22
Central Heating Connections	(mm)	22	22
Domestic Hot Water Connections	(mm)	N/A	N/A
Condense Discharge Pipe Connections	(mm)	21.5	21.5
Safety Discharge Pipe Connections	(mm)	15	15
<b>Hydraulic</b>			
Maximum DHW flow rate (Delta T @ 35°C rise)	l/min	N/A	N/A
Minimum DHW flow rate required	l/min	N/A	N/A
Minimum Operating DHW pressure required	bar	0.5	0.5
Maximum DHW System Pressure	bar	N/A	N/A
Safety Discharge Pressure	bar	3	3
Compartment Ventilation Required		✗	★□
Integral Expansion Vessel	Size (litres)	7	✗
Maximum Capacity of CH System	Litres	100	100
Integral Automatic Bypass		N/A	N/A
CH System Inhibitor Required		✓	★❄️
<b>Concentric flue systems</b>			
Concentric Flue Diameters	(mm)	60/100 and 80/125	60/100 and 80/125
Standard telescopic horizontal flue (60/100)	(mm)	315 - 500	315 - 500
Standard horizontal flue kit (60/100)	(mm)	685	685
Max equiv length horizontal / vertical (60/100)	m	10	10
Max equiv length horizontal / vertical (80/125)	m	20	20
Equivalent length per 135° bend	m	0.5	0.5
Equivalent length per 93° bend	m	1	1
<b>Weights</b>			
Installer Lift Weight (boiler)	(kg)	27.7	27.7
Gross packaged boiler weight	(kg)	33	33

# What's inside the boiler?

## Baxi 800 System



HOW WE MAKE IT EASY

**An industry-leading  
choice of flues.**



# Flues

## Horizontal concentric flues Ø 60/100mm

### Multifit flue group A

Item description	Colour	Specification	Key and OD dimensions	Sales code
1 Horizontal telescopic flue inc. low profile elbow and fixing screws	White pipe/white terminal	315mm - 500mm	100mm	720599401
2 Horizontal telescopic flue inc. low profile elbow and fixing screws	White pipe/black terminal	315mm - 500mm	100mm	720598701
3 1m flue extension inc. fixing screws	White	1000mm	100mm	720648801
4 93° flue bend inc. fixing screws	White	93°	100mm	720648401
5 135° flue bend inc. fixing screws (pair)	White	135°	100mm	720647901
6 Standard horizontal flue inc. low profile elbow and fixing screws	White pipe/black terminal	685mm	100mm	7222019

## Plume displacement kits Ø 60/100mm

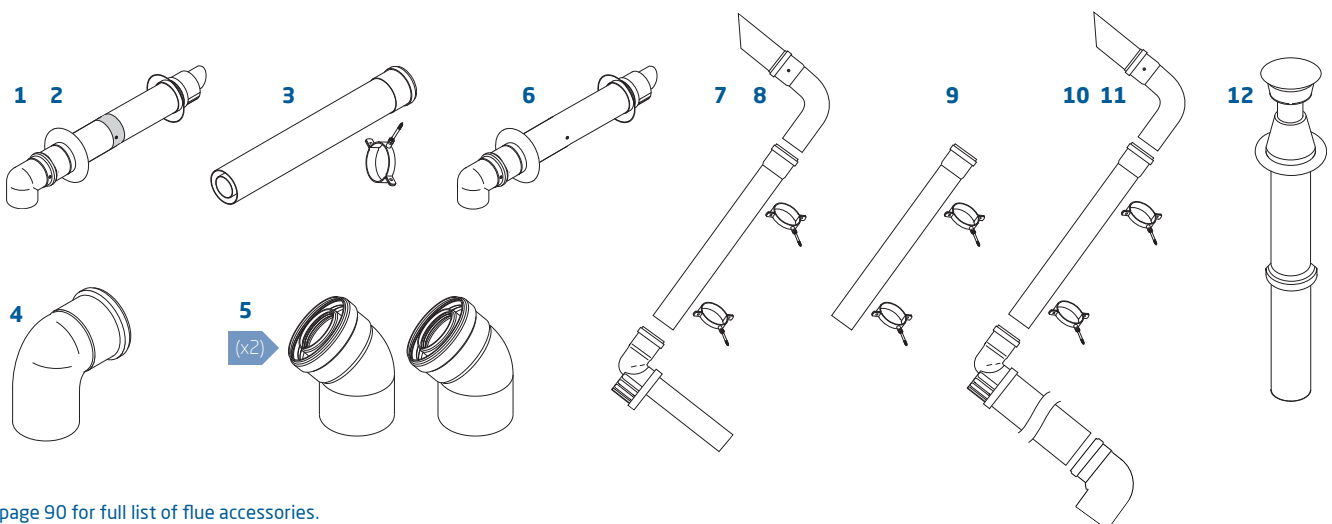
### Multifit flue group A

Item description	Colour	Specification	Key and OD dimensions	Sales code
7 Plume displacement terminal kit for telescopic flue inc 1m extension and brackets	White		60mm	720627001
8 Plume displacement terminal kit for telescopic flue inc 1m extension and brackets	Black		60mm	720622901
9 Plume displacement kit extension and brackets	White	1000mm	60mm	720643401
10 Plume displacement terminal kit inc. 1m extension and brackets	White		60mm	7225717
11 Plume displacement terminal kit inc. 1m extension and brackets	Black		60mm	7225716

## Vertical concentric flues Ø 60/100mm

### Multifit flue group A

Item description	Colour	Specification	Key and OD dimensions	Sales code
12 Vertical flue terminal	Black		100mm	5118576
3 1m flue extension inc. fixing screws	White	1000mm	100mm	720648801
4 93° flue bend inc. fixing screws	White	93°	100mm	720648401
5 135° flue bend inc. fixing screws (pair)	White	135°	100mm	720647901



See page 90 for full list of flue accessories.



### Feature

- Outputs of 15kw, 18kw and 24kw
- Compact cupboard fit
- Simple hanging bracket
- Pipes behind facility within the boiler casing
- Fully modulating and highly efficient
- Top central flue
- Brass hydraulics block
- Front access to all components
- Compatible with Multifit flue kits
- Extensive flue options up to 20 metres

### Benefit

- An output and model for most sizes of property
- Can be installed in a 290mm deep cupboard
- Easy to install giving greater flexibility of pipework connections
- Save time, space and money by piping behind within the footprint of the boiler
- Boiler intelligently uses the right amount of fuel to meet the set central heating temperatures, saving money on fuel bills
- Easier to replace old boiler, saving time
- Trusted and robust
- Saves time when servicing
- Industry leading choice of bends, lengths and accessories
- Allowing greater flexibility of siting and easy replacement

\*Subject to registration and an annual service. Terms and conditions apply. Visit [baxi.co.uk/warranty](http://baxi.co.uk/warranty)



# Baxi 600 System

The Baxi 600 System has a 7 year parts and labour warranty\* and is small enough to fit into a 290mm deep cupboard. It has a built in pipes behind facility within the boiler casing and brass hydraulics and is compatible with Megaflo Eco cylinders, making it the perfect choice for homes with high demand for hot water.

## Accessories and controls

---

The following accessories are compatible with the Baxi 600 System



Baxi IFOS System  
(In Flue Outdoor  
Sensor)  
*See page 89  
for options.*



**7211473**  
Potterton EP  
series 2



**7212443**  
Baxi twin channel  
wired programmer



**720971601**  
Baxi wired room  
thermostat



Megaflo Eco cylinder  
*See [www.heatraesadia.com](http://www.heatraesadia.com)  
for range of cylinders.*

# Technical specifications

HOW WE MAKE IT EASY

Easy to manoeuvre at only 28.1kg.



## Boiler dimensions

Width [A]	Height [B]	Depth [C]
390mm	700mm	285mm

## Service clearances

Side [D]	Upper [E]	Lower [F]	Front [G]
5mm*	178mm*	200mm*	5mm in operation,* (* 450mm for servicing purposes)

\*These are the minimum recommended dimensions. Greater clearance will aid installation and maintenance.



## What's in the box?



Baxi 600 System boiler



Wall mounted bracket



Literature and fitting pack



Copper pipe tails

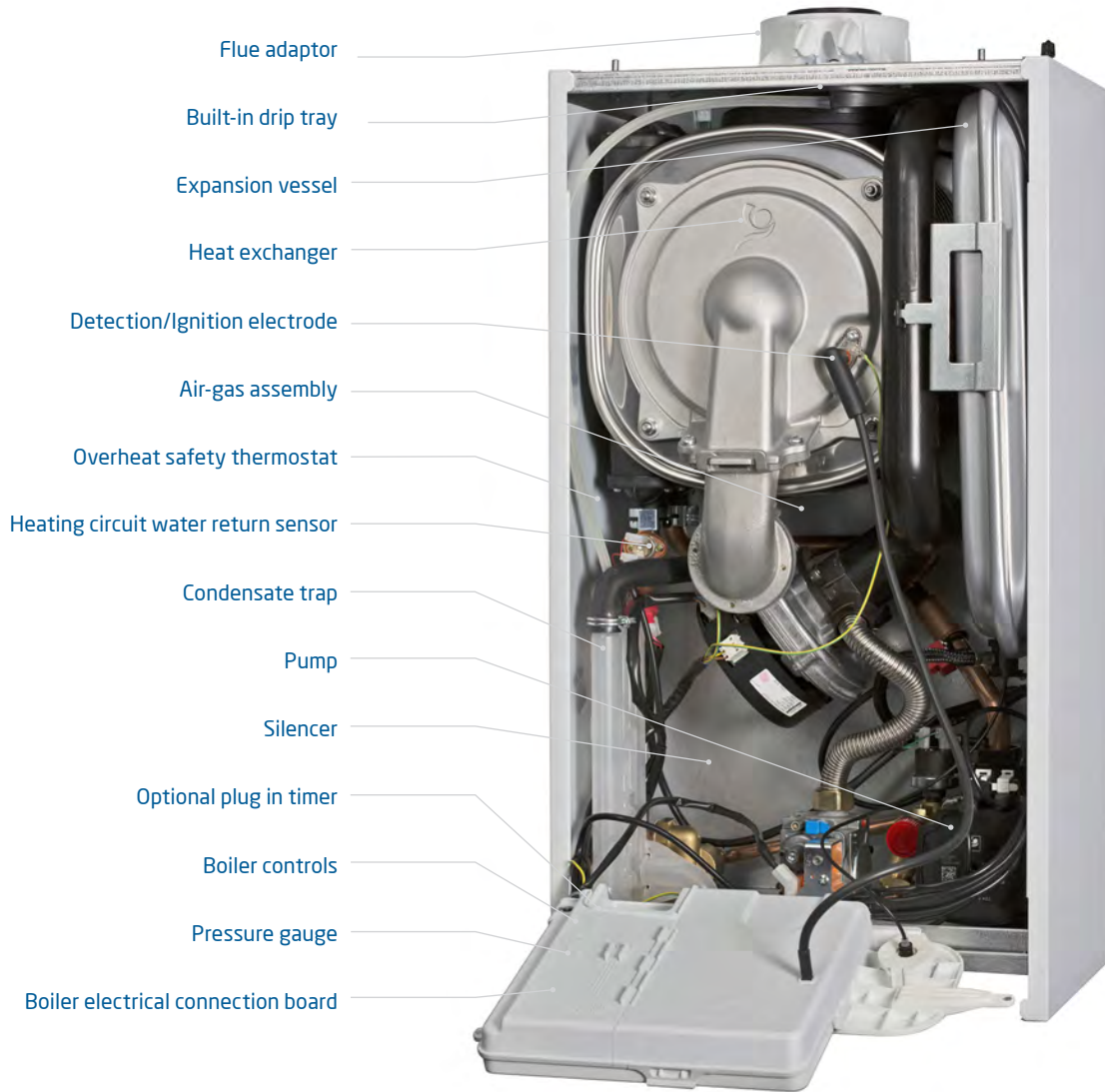
# Technical details

## Baxi 600 System

		15 System	18 System	24 System
Sales code	Boiler only	7682196	7716064	7716061
<b>Accessories and controls</b>				
Concealed user controls		X	X	X
Operating mode selector switch with reset		✓	✓	✓
User adjustable DHW temperature	Range - 35°C to 60°C	✓	✓	✓
User adjustable CH temperature	Range - 25°C to 80°C	✓	✓	✓
Temp/status/fault diagnosis display		LCD display	LCD display	LCD display
Wired outdoor weather sensor & relay kit (7683087)		Optional	Optional	Optional
Baxi wired room thermostat (720971601)		Optional	Optional	Optional
Baxi twin channel wired programmer (7212443)		Optional	Optional	Optional
Multifit rear pipework kit (7682790)		Optional	Optional	Optional
Pre-plumb jig (7682545)		Optional	Optional	Optional
<b>ErP Product Information</b>				
Seasonal Space Heating Energy Efficiency	%	93	93	93
NOx	mg/kWh	29.0	30.0	28.0
Sound power level, indoors	LWA dB	46	48	51
Space heating efficiency class		A	A	A
Heat input CH	kW (Max) Gross (QnHs)	17.2	20.6	27.4
	kW (Min) Gross (QnHs)	5.2	5.2	5.2
Heat output CH (non condensing) factory setting	kW (Max) (Pn)	15	18	24
	kW (Min) (Pn)	4.5	4.5	4.5
Heat output CH (condensing) factory setting	kW (Max) (Pnc)	16.2	19.4	25.8
	kW (Min) (Pnc)	4.9	4.9	4.9
<b>Gas</b>				
Gas supply connection	(mm)	22	22	22
Inlet supply pressure (natural gas)	mbar (nominal)	20	20	20
Maximum Gas Rate (nat Gas after 10 mins)	m³/hr	1.64	1.96	2.61
SAP 2009 annual efficiency (PCDB / SEDBUK)	%	89	89	89
NOx class		6	6	6
<b>Mechanical and hydraulic</b>				
Heat input central heating (CH)	kW max gross (Qnwhs)	17.2	20.6	27.4
Safety discharge pressure	bar	3	3	3
Compartment ventilation required		X	X	X
Flow/return pipe size	(mm)	22	22	22
Temporary filling loop supplied		X	X	X
Integral expansion vessel	Size (litres)	7	7	7
CH system inhibitor required		✓	✓	✓
Condensate discharge pipe size	(mm)	21.5	21.5	21.5
<b>Electrical</b>				
Electrical supply	Volts/Hz	230V/50Hz	230V/50Hz	230V/50Hz
Permanent live required		✓	✓	✓
Electrical cable required	core	3 x 0.75	3 x 0.75	3 x 0.75
Power consumption when firing	Watts	65	70	100
External fuse rating	Amps	3	3	3
Internal fuse rating - connection board	Amps	F2HA250V	F2HA250V	F2HA250V
Internal fuse rating - Main PCB board	Amps	1.6	1.6	1.6
Boiler IP rating (electrical protection)	Approval Category	IPX5D	IPX5D	IPX5D
Circulating pump exercise feature		✓	✓	✓
Pump overrun		✓	✓	✓
Integral 'boiler only' frost thermostat		✓	✓	✓
<b>Concentric flue system</b>				
Standard telescopic concentric flue	Length in mm	315-500	315-500	315-500
Horizontal and Vertical concentric (60/100mm)	Max equivalent length (m)	10	10	10
	Reduction Per 135° bend (m)	0.5	0.5	0.5
	Reduction Per 93° bend (m)	1	1	1
Horizontal and Vertical concentric (80/125mm)	Max equivalent length (m)	20	20	20
<b>Weights</b>				
Installer lift weight (boiler)	Max (kg)	28.1	28.1	28.1
Gross packaged boiler weight	(kg)	30.6	30.6	30.6

# What's inside the boiler?

## Baxi 600 System



HOW WE MAKE IT EASY

**An industry-leading  
choice of flues.**

# Flues

## Horizontal concentric flues Ø 60/100mm

### Multifit flue group A

Item description	Colour	Specification	Key and OD dimensions	Sales code
1 Horizontal telescopic flue inc. low profile elbow and fixing screws	White pipe/white terminal	315mm - 500mm	100mm	720599401
2 Horizontal telescopic flue inc. low profile elbow and fixing screws	White pipe/black terminal	315mm - 500mm	100mm	720598701
3 1m flue extension inc. fixing screws	White	1000mm	100mm	720648801
4 93° flue bend inc. fixing screws	White	93°	100mm	720648401
5 135° flue bend inc. fixing screws (pair)	White	135°	100mm	720647901
6 Standard horizontal flue inc. low profile elbow and fixing screws	White pipe/black terminal	685mm	100mm	7222019

## Plume displacement kits Ø 60/100mm

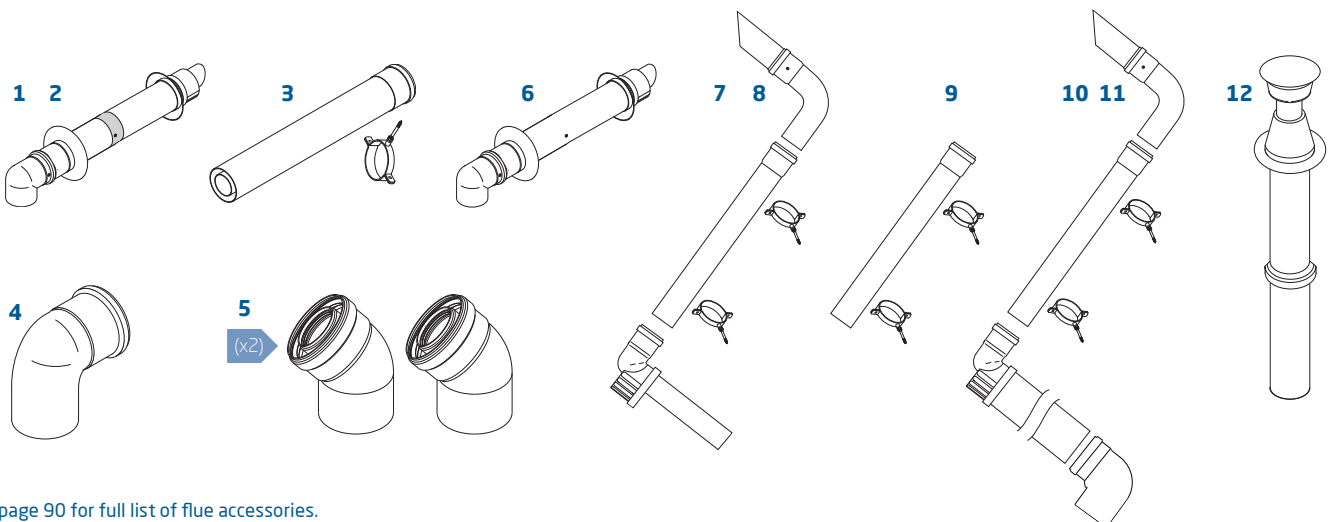
### Multifit flue group A

Item description	Colour	Specification	Key and OD dimensions	Sales code
7 Plume displacement terminal kit for telescopic flue inc 1m extension and brackets	White		60mm	720627001
8 Plume displacement terminal kit for telescopic flue inc 1m extension and brackets	Black		60mm	720622901
9 Plume displacement kit extension and brackets	White	1000mm	60mm	720643401
10 Plume displacement terminal kit inc. 1m extension and brackets	White		60mm	7225717
11 Plume displacement terminal kit inc. 1m extension and brackets	Black		60mm	7225716

## Vertical concentric flues Ø 60/100mm

### Multifit flue group A

Item description	Colour	Specification	Key and OD dimensions	Sales code
12 Vertical flue terminal	Black		100mm	5118576
3 1m flue extension inc. fixing screws	White	1000mm	100mm	720648801
4 93° flue bend inc. fixing screws	White	93°	100mm	720648401
5 135° flue bend inc. fixing screws (pair)	White	135°	100mm	720647901







### Feature

- Output of 24kW

---
- Compact cupboard fit

---
- Simple hanging bracket

---
- Pipes behind facility within the boiler casing

---
- Fully modulating and highly efficient

---
- Top central flue

---
- Brass hydraulics block

---
- Front access to all components

---
- Compatible with Multifit flue kits

---

### Benefit

- Suitable for most properties

---
- Can be installed in a 290mm deep cupboard

---
- Easy to install giving greater flexibility of pipework connections

---
- Save time, space and money by piping behind within the footprint of the boiler

---
- Boiler intelligently uses the right amount of fuel to meet the set central heating temperatures, saving money on fuel bills

---
- Easier to replace old boiler, saving time

---
- Trusted and robust

---
- Saves time when servicing

---
- Industry leading choice of bends, lengths and accessories

---

\*Subject to registration and an annual service. Terms and conditions apply. Visit [baxi.co.uk/warranty](http://baxi.co.uk/warranty)



# Baxi 600 System LPG

The Baxi 600 System LPG offers an energy efficient solution for properties that are off the mains gas network. Its brass hydraulics, pipes behind facility, ease of installation and servicing and seven year warranty make it a firm favourite with both installers and householders.

## Accessories and controls

---

The following accessories are compatible with the Baxi 600 System



Baxi IFOS System  
(In Flue Outdoor  
Sensor)  
*See page 89  
for options.*



7211473  
Potterton EP  
series 2



7212443  
Twin channel  
wired programmer



720971601  
Baxi wired room  
thermostat



Megaflo Eco cylinder  
*See [www.heatraesadia.com](http://www.heatraesadia.com)  
for range of cylinders.*

# Technical specifications

HOW WE MAKE IT EASY

Easy to manoeuvre at only 28.1kg.



## Boiler dimensions

Width [A]	Height [B]	Depth [C]
390mm	700mm	285mm

## Service clearances

Side [D]	Upper [E]	Lower [F]	Front [G]
5mm*	178mm*	200mm*	5mm in operation,* (* 450mm for servicing purposes)

\*These are the minimum recommended dimensions. Greater clearance will aid installation and maintenance.



## What's in the box?



Baxi 600 System boiler



Wall mounted bracket



Literature and fitting pack



Copper pipe tails

# Technical details

## Baxi 600 System LPG

## 24 System LPG

Sales code	Boiler only	7716065
<b>Accessories and controls</b>		
Concealed user controls		X
Operating mode selector switch with reset		✓
User adjustable DHW temperature	Range - 35°C to 60°C	✓
User adjustable CH temperature	Range - 25°C to 80°C	✓
Temp/status/fault diagnosis display		LCD display
Wired outdoor weather sensor & relay kit (7683087)		Optional
Baxi wired room thermostat (720971601)		Optional
Baxi twin channel wired programmer (7212443)		Optional
Multifit rear pipework kit (7682790)		Optional
Pre-plumb jig (7682545)		Optional

### ErP Product Information

Seasonal Space Heating Energy Efficiency	%	93
NOx	mg/kWh	28.0
Sound power level, indoors	LWA dB	51
Space heating efficiency class		A
Heat input CH	kW (Max) Gross (QnHs)	27.4
	kW (Min) Gross (QnHs)	5.2
Heat output CH (non condensing) factory setting	kW (Max) (Pn)	24
	kW (Min) (Pn)	4.5
Heat output CH (condensing) factory setting	kW (Max) (Pnc)	25.8
	kW (Min) (Pnc)	4.9

### Gas

Gas supply connection	(mm)	22
Inlet supply pressure (LPG)	mbar (nominal)	37
Maximum Gas Rate	m <sup>3</sup> /hr	4.95
SAP 2009 annual efficiency (PCDB / SEDBUK)	%	89
NOx class		6

### Mechanical and hydraulic

Heat input central heating (CH)	kW max gross (QnHs)	27.4
Safety discharge pressure	bar	3
Compartment ventilation required		X
Flow/return pipe size	(mm)	22
Temporary filling loop supplied		X
Integral expansion vessel	Size (litres)	7
CH system inhibitor required		✓
Condensate discharge pipe size	(mm)	21.5

### Electrical

Electrical supply	Volts/Hz	230V/50Hz
Permanent live required		✓
Electrical cable required	core	3 x 0.75
Power consumption when firing	Watts	100
External fuse rating	Amps	3
Internal fuse rating - connection board	Amps	2HA250V
Internal fuse rating - Main PCB board	Amps	1.6
Boiler IP rating (electrical protection) without integral timer fitted	Approval Category	IPX5D
Circulating pump exercise feature		✓
Pump overrun		✓
Integral 'boiler only' frost thermostat		✓

### Concentric flue system

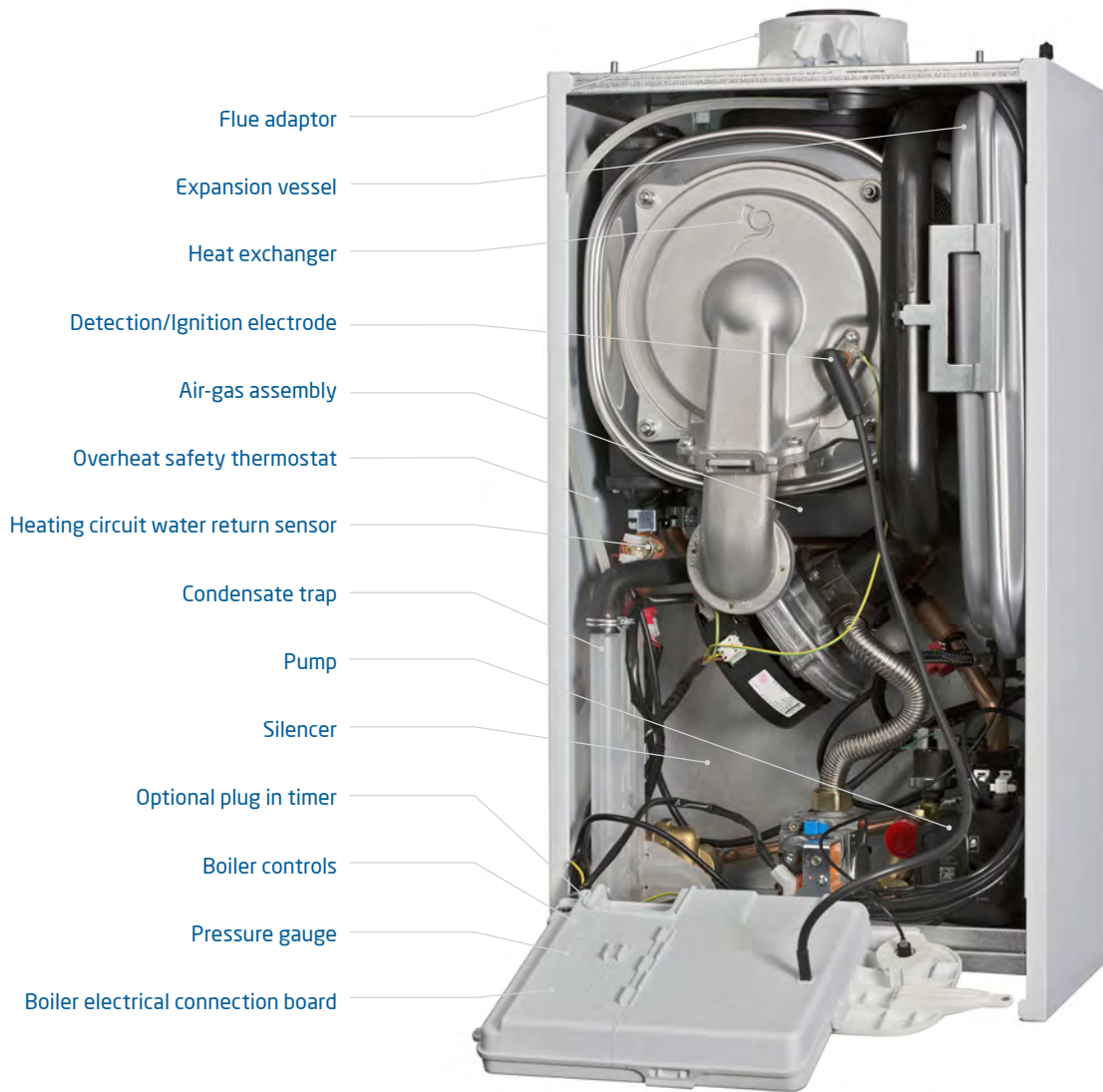
Standard telescopic concentric flue	Length in mm	315-500
Horizontal and Vertical concentric (60/100mm)	Max equivalent length (m)	10
	Reduction Per 135° bend (m)	0.5
	Reduction Per 93° bend (m)	1
Horizontal and Vertical concentric (80/125mm)	Max equivalent length (m)	20

### Weights

Installer lift weight (boiler)	Max (kg)	28.1
Gross packaged boiler weight	(kg)	30.6

# What's inside the boiler?

## Baxi 600 System LPG



HOW WE MAKE IT EASY

**An industry-leading  
choice of flues.**

# Flues

## Horizontal concentric flues Ø 60/100mm

### Multifit flue group A

Item description	Colour	Specification	Key and OD dimensions	Sales code
1 Horizontal telescopic flue inc. low profile elbow and fixing screws	White pipe/white terminal	315mm - 500mm	100mm	720599401
2 Horizontal telescopic flue inc. low profile elbow and fixing screws	White pipe/black terminal	315mm - 500mm	100mm	720598701
3 1m flue extension inc. fixing screws	White	1000mm	100mm	720648801
4 93° flue bend inc. fixing screws	White	93°	100mm	720648401
5 135° flue bend inc. fixing screws (pair)	White	135°	100mm	720647901
6 Standard horizontal flue inc. low profile elbow and fixing screws	White pipe/black terminal	685mm	100mm	7222019

## Plume displacement kits Ø 60/100mm

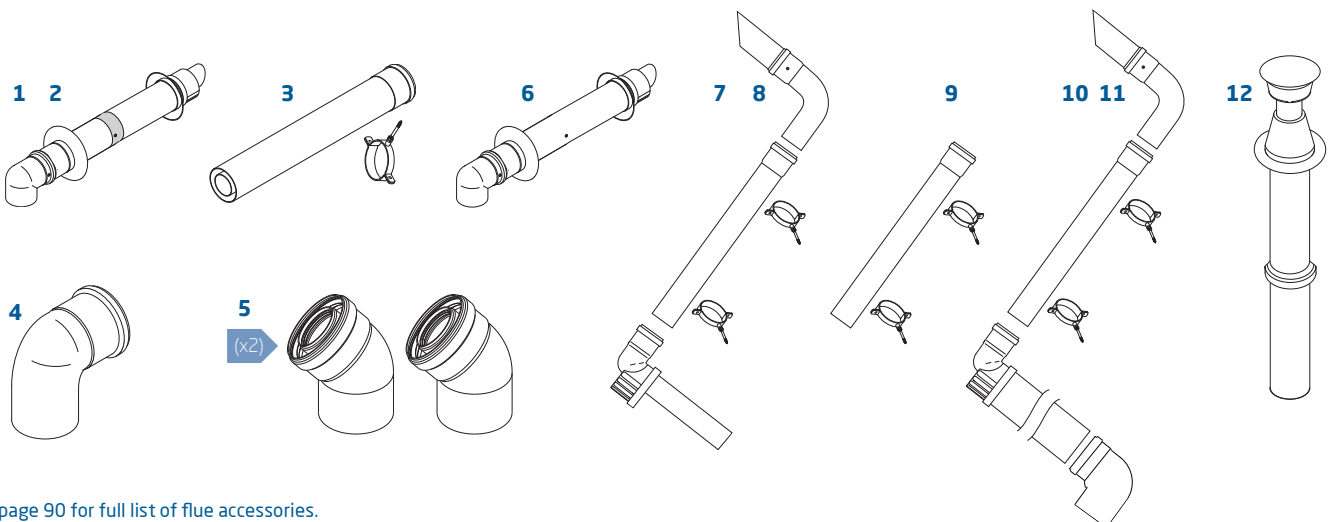
### Multifit flue group A

Item description	Colour	Specification	Key and OD dimensions	Sales code
7 Plume displacement terminal kit for telescopic flue inc 1m extension and brackets	White		60mm	720627001
8 Plume displacement terminal kit for telescopic flue inc 1m extension and brackets	Black		60mm	720622901
9 Plume displacement kit extension and brackets	White	1000mm	60mm	720643401
10 Plume displacement terminal kit inc. 1m extension and brackets	White		60mm	7225717
11 Plume displacement terminal kit inc. 1m extension and brackets	Black		60mm	7225716

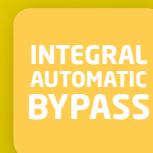
## Vertical concentric flues Ø 60/100mm

### Multifit flue group A

Item description	Colour	Specification	Key and OD dimensions	Sales code
12 Vertical flue terminal	Black		100mm	5118576
3 1m flue extension inc. fixing screws	White	1000mm	100mm	720648801
4 93° flue bend inc. fixing screws	White	93°	100mm	720648401
5 135° flue bend inc. fixing screws (pair)	White	135°	100mm	720647901



See page 90 for full list of flue accessories.



## Key features

Outputs: 15kW, 18kW, 24kW, 28kW and 32kW

Pre-plumbing jig

Built-in frost thermostat

Integral automatic bypass

Compatible with Multifit flue kits

Compatible with the market-leading Megaflo cylinders

Suitable for use with Baxi Solarflo solar thermal

## Benefits

To suit most property sizes

Easy to install and maintain

Suitable for siting in garages and lofts

Suitable for systems with TVRs on every radiator

Industry-leading choice of lengths, bends, accessories

Made by our sister company Heatrae Sadia

Hot water from solar energy reduces energy bills

\* Subject to registration and an annual service. Terms and conditions apply. Visit [baxi.co.uk/warranty](http://baxi.co.uk/warranty)





*I regularly install the Megaflo boiler.  
It is a great boiler, easy to work on  
and good value for money.*

**Jack Sowden**  
Royston Engineering

# Baxi Megaflo System

Designed for fully pumped sealed systems, the Baxi Megaflo System can be installed with an unvented cylinder. It will satisfy the hot water and heating requirements of most homes, including larger properties with more than one bathroom.

## Accessories

The following accessories are compatible with the Baxi Megaflo System



**7211473**  
Potterton EP  
series 2



**7212443**  
Baxi twin channel  
wired programmer



**720971601**  
Baxi wired room  
thermostat



Megaflo Eco cylinder  
See [www.heatraesadia.com](http://www.heatraesadia.com)  
for range of cylinders.

# Technical specifications

HOW WE MAKE IT EASY

Front access to all components makes servicing simple.



## Boiler dimensions

Width [A]	Height [B]	Depth [C]
450mm	780mm	345mm

## Service clearances

Side [D]	Upper [E]	Lower [F]	Front [G]
5mm*	200mm* (* 300mm if using 80/125 flueing system)	150mm*	5mm in operation* (* 450mm for servicing purposes)

\*These are the minimum recommended dimensions. Greater clearance will aid installation and maintenance.



## What's in the box?



Megaflo System boiler



Pre-plumbing jig



Fitting instructions, template, user instructions, warranty



Copper pipe tails

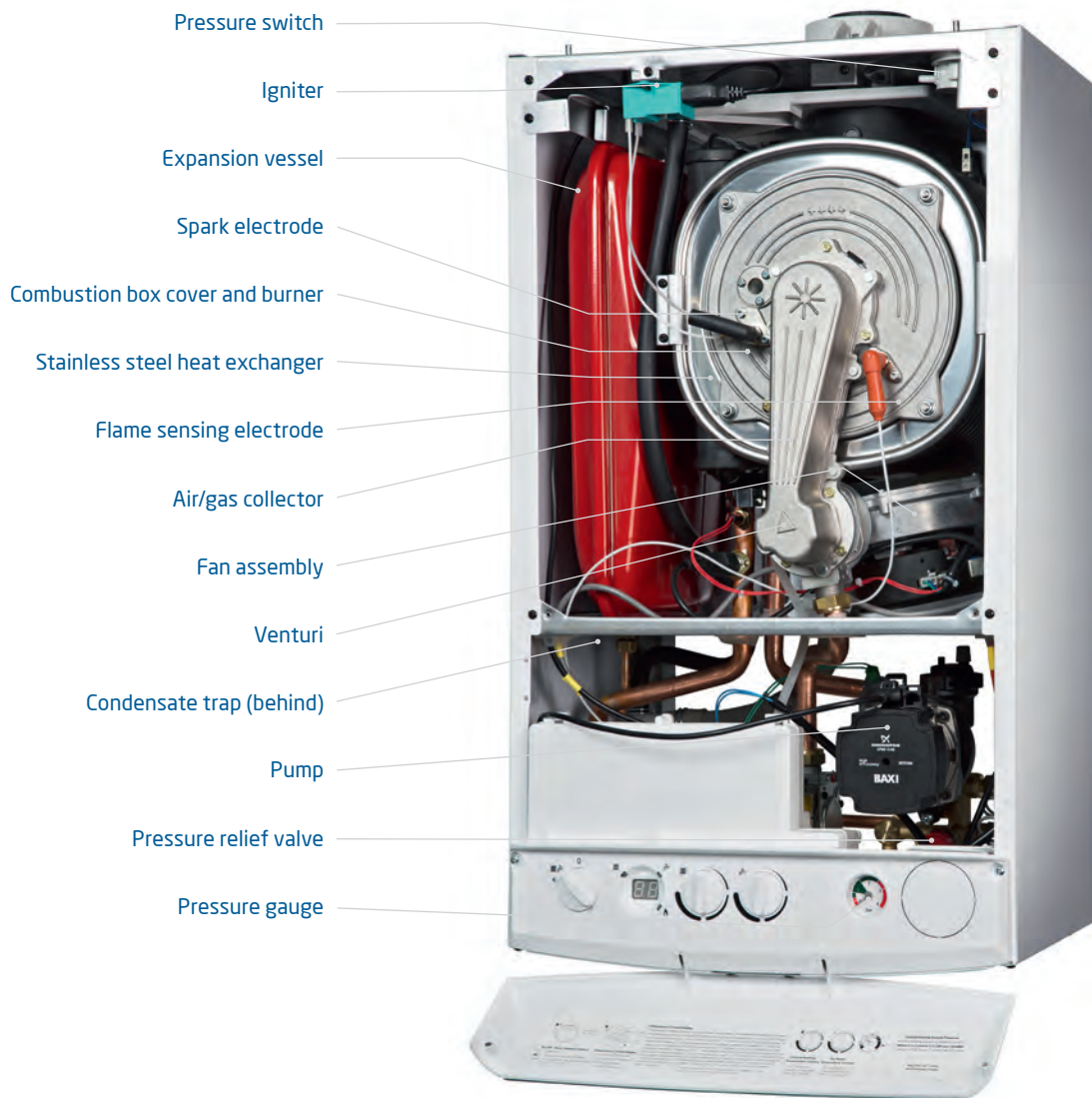
# Technical details

## Baxi Megaflo System ErP

		15 System	18 System	24 System	28 System	32 System
Sales code	Boiler only	7219444	7219445	7219446	7219447	7219448
<b>Controls</b>						
Concealed user controls		✓	✓	✓	✓	✓
On/off switch with reset		✓	✓	✓	✓	✓
User adjustable CH temperature		✓	✓	✓	✓	✓
LED temp/status/fault diagnosis display		2 digits/3 LEDs on all models				
<b>Gas</b>						
Gas supply connection	mm	22	22	22	22	22
Natural gas		✓	✓	✓	✓	✓
Nominal inlet supply pressure	mbar	20	20	20	20	20
Maximum gas rate NG	m <sup>3</sup> /hr	1.69	1.95	2.61	3.1	3.48
Heat input central heating	kW max gross (QnHs)	17.1	20.5	27.4	32.1	36.4
	kW min gross (QnHs)	4.4	4.8	7.8	10.8	10.8
Heat output CH non condensing	kW max (Pn)	15	18	24	28	32
	kW min (Pn)	3.9	4.2	6.8	9.4	9.4
Heat output CH condensing	kW max (Pnc)	16.2	19.4	25.9	30.3	34.4
	kW min (Pnc)	4.2	4.5	7.4	10.2	10.2
Boiler Plus ErP	%	92.0	92.0	92.0	92.0	92.0
SAP 2009 Annual Efficiency (PCDB/SEDBUK)	%	88.6	88.6	88.6	88.5	88.5
NOx class		6	6	6	6	6
<b>ErP Product Information</b>						
NOx	mg/kWh	25	29	20	20	24
Sound power level, indoors	LWA dB	52	53	58	53	54
Space heating efficiency class		A	A	A	A	A
<b>Electrical</b>						
Electrical supply	Volts/Hz	230V/50Hz	230V/50Hz	230V/50Hz	230V/50Hz	230V/50Hz
Permanent live required		✓	✓	✓	✓	✓
Fitted electrical cable		1m x 3 core x 0.75mm <sup>2</sup> on all models				
Power consumption	Watts	130	140	150	160	160
External fuse rating	Amps	3	3	3	3	3
Internal fuse rating	Amps	F2L	F2L	F2L	F2L	F2L
Ingress protection rating (without electro-mechanical timer fitted)		IPX 5D	IPX 5D	IPX 5D	IPX 5D	IPX 5D
24 hour pump exercise		✓	✓	✓	✓	✓
Pump overrun		✓	✓	✓	✓	✓
Integral 'boiler only' frost thermostat		✓	✓	✓	✓	✓
<b>Mechanical and hydraulic</b>						
Compartment ventilation requirement		None	None	None	None	None
Pre-plumbing/wall mounting jig		✓	✓	✓	✓	✓
Flow and return pipe size	mm	22	22	22	22	22
Condensate discharge pipe size	mm	21.5	21.5	21.5	21.5	21.5
Integral automatic bypass		✓	✓	✓	✓	✓
Safety discharge pressure	bar	3	3	3	3	3
Integral expansion vessel	litres	8	8	8	10	10
Max capacity of central heating system	litres	125	125	125	125	125
CH system inhibitor required		✓	✓	✓	✓	✓
<b>Concentric Flue System</b>						
Standard telescopic horizontal flue kit length	mm	315 - 500	315 - 500	315 - 500	315 - 500	315 - 500
Max equiv length horizontal/vertical (60/100mm)	m	10	10	10	10	10
Max equiv length horizontal/vertical (80/125mm)	m	20	20	20	20	20
Equivalent length per 135° bend	m	0.5	0.5	0.5	0.5	0.5
Equivalent length per 93° bend	m	1	1	1	1	1
<b>Weights</b>						
Installer lift weight (boiler) (max)	kg	36.4	36.4	37.9	37.9	38.4
Gross packaged boiler weight	kg	41.5	41.5	43	43	43.5

# What's inside the boiler?

## Baxi Megaflo System



HOW WE MAKE IT EASY

Telescopic horizontal flue option is quick and easy to fit.

# Flues

## Horizontal concentric flues Ø 60/100mm

### Multifit flue group A

Item description	Colour	Specification	Key and OD dimensions	Sales code
1 Horizontal telescopic flue inc. low profile elbow and fixing screws	White pipe/white terminal	315mm - 500mm	100mm	720599401
2 Horizontal telescopic flue inc. low profile elbow and fixing screws	White pipe/black terminal	315mm - 500mm	100mm	720598701
3 1m flue extension inc. fixing screws	White	1000mm	100mm	720648801
4 93° flue bend inc. fixing screws	White	93°	100mm	720648401
5 135° flue bend inc. fixing screws (pair)	White	135°	100mm	720647901
6 Standard horizontal flue inc. low profile elbow and fixing screws	White pipe/black terminal	685mm	100mm	7222019

## Plume displacement kits Ø 60/100mm

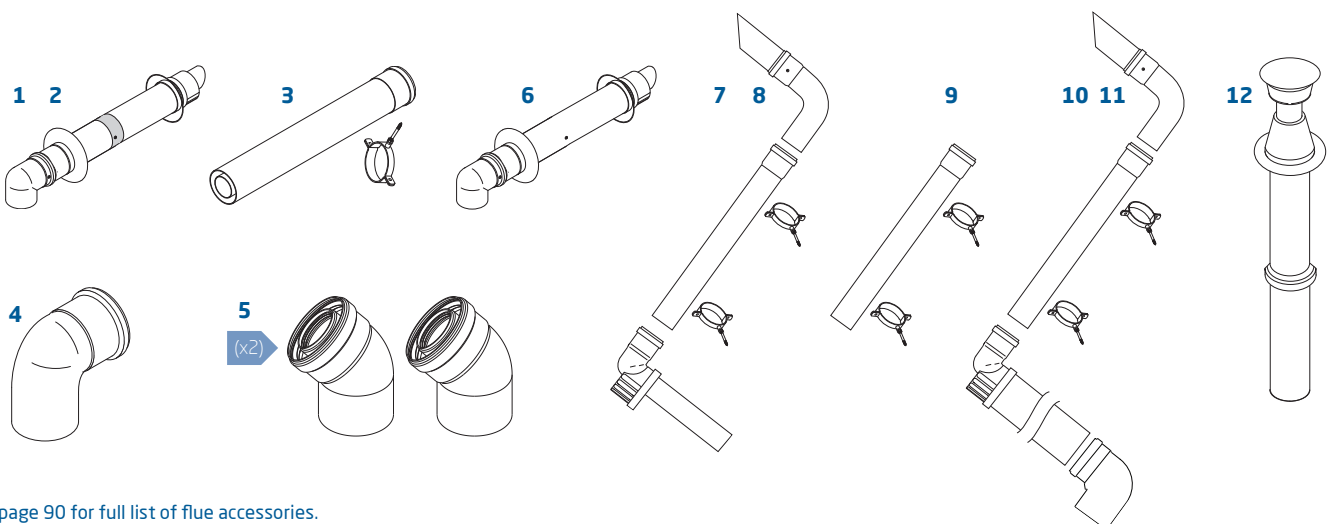
### Multifit flue group A

Item description	Colour	Specification	Key and OD dimensions	Sales code
7 Plume displacement terminal kit for telescopic flue inc 1m extension and brackets	White		60mm	720627001
8 Plume displacement terminal kit for telescopic flue inc 1m extension and brackets	Black		60mm	720622901
9 Plume displacement kit extension and brackets	White	1000mm	60mm	720643401
10 Plume displacement terminal kit inc. 1m extension and brackets	White		60mm	7225717
11 Plume displacement terminal kit inc. 1m extension and brackets	Black		60mm	7225716

## Vertical concentric flues Ø 60/100mm

### Multifit flue group A

Item description	Colour	Specification	Key and OD dimensions	Sales code
12 Vertical flue terminal	Black		100mm	5118576
3 1m flue extension inc. fixing screws	White	1000mm	100mm	720648801
4 93° flue bend inc. fixing screws	White	93°	100mm	720648401
5 135° flue bend inc. fixing screws (pair)	White	135°	100mm	720647901



See page 90 for full list of flue accessories.



### Feature

- Outputs 13kw, 16kw, 19kw, 25kw and 30kw

---

- Only 19.5kg installer lift weight

---

- Compact cupboard fit

---

- No pump overrun or permanent live required

---

- Suitable for fully pumped open vent or sealed systems

---

- Very quiet in operation

---

- Easy fit wall mounting bracket

---

- Front and side access

---

- Central top flue or in case rear flue option

---

- Industry leading choice of flue lengths, bends and accessories

---

- Central heating temperature control

### Benefit

- To suit most property sizes

---

- The lightest boiler available in the UK\*\*

---

- Can be installed in a 290mm deep cupboard

---

- Saves time and money during installation, and less disruption for the householder

---

- For installation flexibility

---

- Minimal disturbance during use

---

- Robust with a positive fix and audible lock so you know it's secure

---

- Servicing is easier and quicker, and no special tools are required

---

- For reduced boiler footprint and improved look

---

- Extensive flue option up to 1.2 meters for versatile siting and easy replacement

---

- For ease of use maximising comfort

\*Subject to registration and an annual service. Terms and conditions apply. Visit [baxi.co.uk/warranty](http://baxi.co.uk/warranty)  
 \*\*As at April 2018



*The rear flue option on the Baxi 600 Heat made it the perfect choice when I had to replace an old balanced flue boiler. So light, an easy lift weight, compact and easy to use for both installer and customer. The homeowner was very pleased.*

George Drake  
Installer

# Baxi 600 Heat

With an output to suit every size of home, top or rear flue option, no need for a pump overrun or permanent live and a lift weight of just 19.5 kg, this powerful boiler can be installed on open vent or sealed systems, making it the perfect choice for homes with a high demand for hot water.

## Accessories and controls

The following accessories are compatible with the Baxi 600 Heat



**7211473**  
Potterton EP  
series 2



**7212443**  
Twin channel  
wired programmer



**720971601**  
Baxi wired room  
thermostat



Megafluo Eco cylinder  
See [www.heatraesadia.com](http://www.heatraesadia.com)  
for range of cylinders.



# Technical specifications

HOW WE MAKE IT EASY

The lightest boiler available in the UK



## Boiler dimensions

Width [A]	Height [B]	Depth [C]
370mm	625mm	270mm

## Service clearances

Side [D]	Upper [E]	Lower [F]	Front [G]
5mm*	190mm*	120mm*	5mm*
	35mm* if using rear flue	35mm* in 300mm deep wall cupboard	in operation, 500mm* for servicing

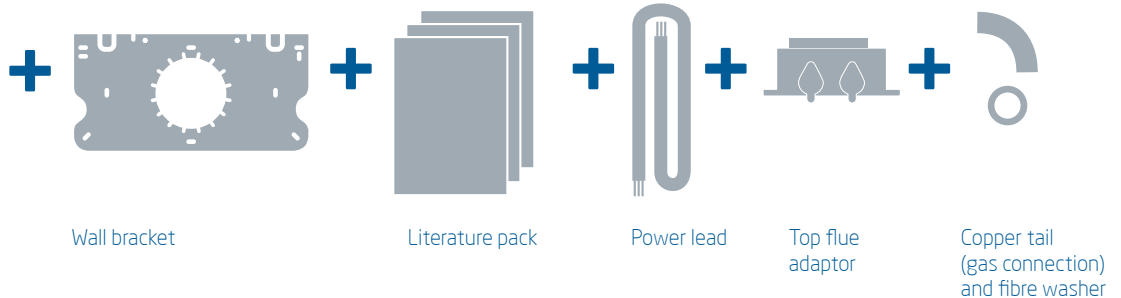
\*These are the minimum recommended dimensions. Greater clearance will aid installation and maintenance.



## What's in the box?



Baxi 600 Heat Boiler



Wall bracket

Literature pack

Power lead

Top flue adaptor

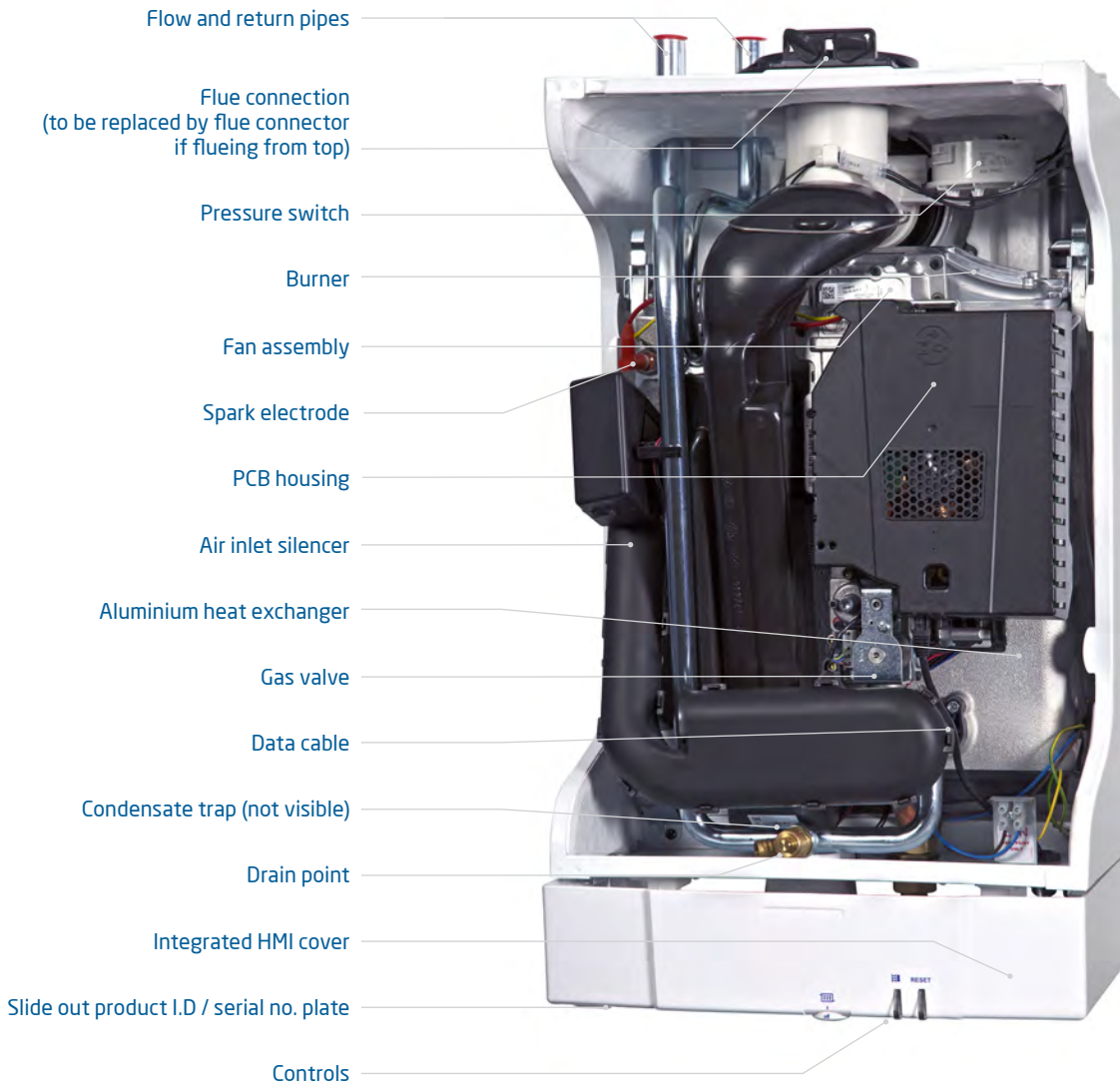
Copper tail (gas connection) and fibre washer

## Technical details

Baxi 600 Heat		13 Heat	16 Heat	19 Heat	25 Heat	30 Heat
Sales code	Boiler only	7711998	7711999	7712020	7712022	7712023
<b>Controls and accessories</b>						
Operating mode selector switch with reset	Yes / no	✓	✓	✓	✓	✓
User adjustable CH temperature	Range - e.g. 45°C to 82°C	✓	✓	✓	✓	✓
LED temp/status/fault diagnosis display	Yes / no	✓	✓	✓	✓	✓
Baxi twin channel wired programmer	7212443	Optional	Optional	Optional	Optional	Optional
Baxi room thermostat	720971601	Optional	Optional	Optional	Optional	Optional
<b>Gas</b>						
Boiler Plus ErP	%	93.0	93.0	93.0	93.0	93.0
SAP 2009 annual efficiency (PCDB/SEDBUK)	%	89.2	89.2	89.2	89.1	89.1
NOx class	1 - 6	6	6	6	6	6
<b>ErP Product Information</b>						
NOx	mg/kWh	18	20	21	24	24
Sound power level, indoors	LWA dB	37	39	41	45	49
Space heating efficiency class		A	A	A	A	A
Heat input CH	kW max gross (QnHs)	14.88	18.32	21.75	28.62	34.35
	kW min gross (QnHs)	8.59	8.59	8.59	8.59	8.59
	kW max (Pn)	13	16	19	25	30
Heat output CH (non condensing)	kW min (Pn)	7.5	7.5	7.5	7.5	7.5
Gas supply connection	(mm)	22	22	22	22	22
Inlet supply pressure (natural gas)	mbar	20	20	20	20	20
Maximum gas rate	m³/hr	1.42	1.75	2.07	2.73	3.27
<b>Mechanical and hydraulic</b>						
Compartment ventilation required	Yes / no	x	x	x	x	x
Flow / return pipe size	(mm)	22	22	22	22	22
Condensate discharge pipe size	(mm)	21.50	21.50	21.50	21.50	21.50
<b>Electrical</b>						
Electrical supply	Volts / Hz	230V / 50Hz	230V / 50Hz	230V / 50Hz	230V / 50Hz	230V / 50Hz
Permanent live required	Yes / no	x	x	x	x	x
Switched live	Yes / no	✓	✓	✓	✓	✓
Electrical power cable fitted as standard	1m of 3 core	✓	✓	✓	✓	✓
Power consumption	Watts	17	20	23	33	44
External fuse rating	Amps	3	3	3	3	3
Internal fuse rating		1.6T	1.6T	1.6T	1.6T	1.6T
Boiler IP rating (electrical protection)	Approval category	IPX4D	IPX4D	IPX4D	IPX4D	IPX4D
Pump overrun	Yes / no	x	x	x	x	x
<b>Concentric flue system</b>						
Standard telescopic concentric flue	Length in mm	315-500	315-500	315-500	315-500	315-500
Horizontal and Vertical concentric (60/100 mm)	Max equivalent length (m)	6	6	6	6	6
	Reduction per 135° bend (m)	0.5	0.5	0.5	0.5	0.5
	Reduction per 93° bend (m)	1	1	1	1	1
Horizontal and Vertical concentric (80/125 mm)	Max equivalent length (m)	12	12	12	12	12
<b>Weight</b>						
Installer lift weight	Max (kg)	19.5	19.5	19.5	19.5	19.5
Gross packaged boiler weight	(kg)	21.5	21.5	21.5	21.5	21.5

# What's inside the boiler?

## Baxi 600 Heat



### HOW WE MAKE IT EASY

Service is easier and quicker, and no special tools are required

# Flues

## Horizontal concentric flues Ø 60/100mm

### Multifit Flue Group A

Item description	Colour	Specification	Key and OD dimensions	Sales code
1 Horizontal telescopic flue inc. low profile elbow and fixing screws	White pipe/white terminal	315mm - 500mm	100mm	720599401
2 Horizontal telescopic flue inc. low profile elbow and fixing screws	White pipe/black terminal	315mm - 500mm	100mm	720598701
3 1m flue extension inc. fixing screws	White	1000mm	100mm	720648801
4 93° flue bend inc. fixing screws	White	93°	100mm	720648401
5 135° flue bend inc. fixing screws (pair)	White	135°	100mm	720647901
6 Standard horizontal flue inc. low profile elbow and fixing screws	White pipe/black terminal	685mm	100mm	7222019
7 Horizontal telescopic in case rear flue inc. fixing screws	White pipe/black terminal		100mm	7210434

## Plume displacement kits Ø 60/100mm

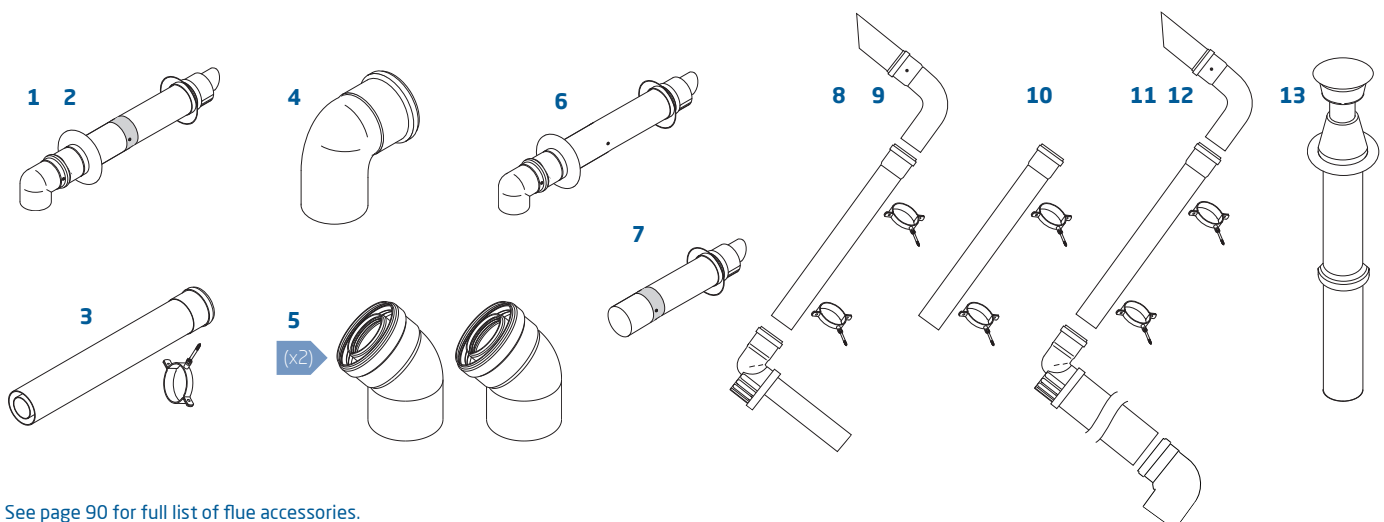
### Multifit Flue Group A

Item description	Colour	Specification	Key and OD dimensions	Sales code
8 Plume displacement terminal kit for telescopic flue inc 1m extension and brackets	White		60mm	720627001
9 Plume displacement terminal kit for telescopic flue inc 1m extension and brackets	Black		60mm	720622901
10 Plume displacement kit extension and brackets	White	1000mm	60mm	720643401
11 Plume displacement terminal kit inc. 1m extension and brackets	White		100mm	7225717
12 Plume displacement terminal kit inc. 1m extension and brackets	Black		100mm	7225716

## Vertical concentric flues Ø 60/100mm

### Multifit Flue Group A

Item description	Colour	Specification	Key and OD dimensions	Sales code
13 Vertical flue terminal	Black		100mm	5118576
3 1m flue extension inc. fixing screws	White	1000mm	100mm	720648801
4 93° flue bend inc. fixing screws	White	93°	100mm	720648401
5 135° flue bend inc. fixing screws (pair)	White	135°	100mm	720647901



See page 90 for full list of flue accessories.



## Key features

---

Outputs: 12kw, 15kw, 18kw, 24kw and 30kw

---

Only 19.5kg installer lift weight

---

Cupboard fit

---

Easy fit wall mounting bracket

---

One metre lead included

---

Top or rear flue option

---

Simple fixing of rear flue

---

No pump overrun or permanent live required

---

Front and side access

---

Wide choice of flue lengths, bends and accessories

---

## Benefits

---

To suit most property sizes

---

The lightest boiler available in UK\*\*

---

Can be installed discreetly

---

Robust with a positive fix and audible lock so you know it's secure

---

Easy to install and you don't need access to the control box

---

For ease of installation

---

For easy and fail-safe flue fixing

---

Saves time and money during installation, and less disruption for the householder

---

Servicing is easier and quicker, and no special tools are required

---

For versatile siting

---

\* Subject to registration and an annual service. Terms and conditions apply. Visit [baxi.co.uk/warranty](http://baxi.co.uk/warranty) \*\* As at October 2018.



# Baxi 400 Heat



*The rear flue option on the Baxi 400 Heat made it the perfect choice when I had to replace an old balanced flue boiler. So light, an easy lift weight, compact and easy to use for both installer and customer. The homeowner was very pleased.*

**George Drake**  
Installer

The Baxi 400 Heat is, at only 19.5kg, the lightest boiler available on the UK market.\*\* It has a rear and central flue option and does not need a pump overrun or permanent live, making it suitable as a replacement for old boilers.

Small enough to fit into a cupboard, the Baxi 400 Heat has a contemporary style that will also fit with any modern interior.

## Accessories

The following accessories are compatible with the Baxi 400 Heat



**7212443**  
Baxi twin channel  
wired programmer



**720971601**  
Baxi room  
thermostat



**7211473**  
Potterton EP  
series 2



Megafluo Eco cylinder  
See [www.heatraesadia.com](http://www.heatraesadia.com)  
for range of cylinders.

# Technical specifications

HOW WE MAKE IT EASY

The lightest boiler available in the UK



## Boiler dimensions

Width [A]	Height [B]	Depth [C]
370mm	625mm	270mm

## Service clearances

Side [D]	Upper [E]	Lower [F]	Front [G]
5mm*	190mm* (* 35mm if using rear flue)	120mm* (* 35mm in 300mm deep wall cupboard)	5mm* (* in operation, 500mm for servicing)

\*These are the minimum recommended dimensions. Greater clearance will aid installation and maintenance.



## What's in the box?



Baxi 400 Heat boiler



Wall bracket



Literature pack



Power lead



Top flue adaptor



Copper tail (gas connection) and fibre washer



## Technical details

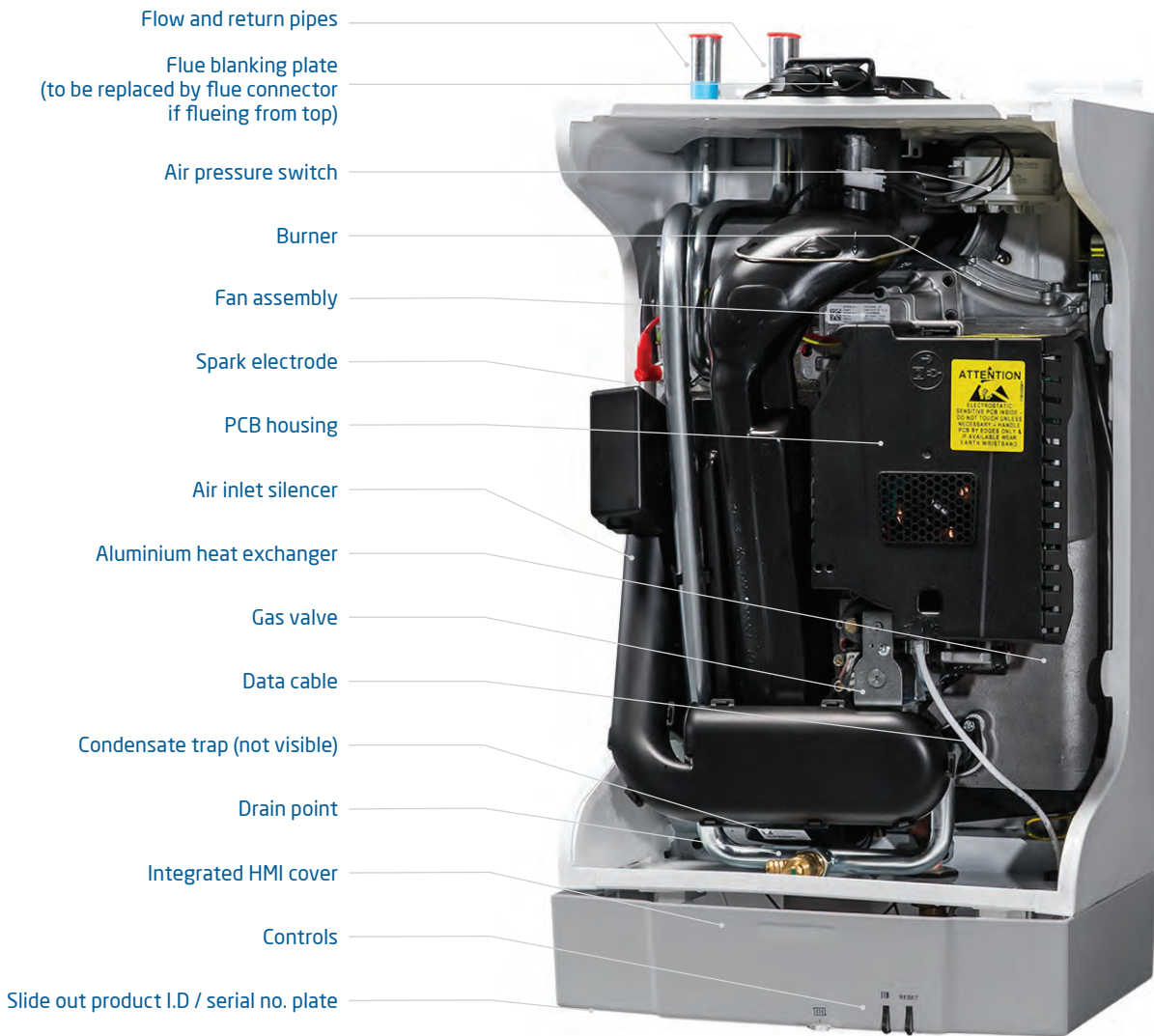
### Baxi 400 Heat ErP

### 412 Heat 415 Heat 418 Heat 424 Heat 430 Heat

Sales code	Boiler only	7668931	7668933	7668934	7668935	7668936
<b>Controls and accessories</b>						
Operating mode selector switch with reset	Yes / no	✓	✓	✓	✓	✓
User adjustable CH temperature	Range - e.g. 45°C to 82°C	✓	✓	✓	✓	✓
LED temp/status/fault diagnosis display	Yes / no	✓	✓	✓	✓	✓
Baxi twin channel wired programmer	7212443	Optional	Optional	Optional	Optional	Optional
Baxi room thermostat	720971601	Optional	Optional	Optional	Optional	Optional
<b>Gas</b>						
Boiler Plus ErP	%	93.0	93.0	93.0	93.0	93.0
SAP 2009 annual efficiency (PCDB/SEDBUK)	%	89.2	89.2	89.2	89.1	89.1
NOx class	1 - 5	6	6	6	6	6
<b>ErP Product Information</b>						
NOx	mg/kWh	18	20	21	23	24
Sound power level, indoors	LWA dB	32	33	34	35	37
Space heating efficiency class		A	A	A	A	A
Heat input CH	kW max gross (QnHs)	14.88	18.32	21.75	28.62	34.35
	kW min gross (QnHs)	8.59	8.59	8.59	8.59	8.59
Heat output CH (non condensing)	kW max (Pn)	13	16	19	25	30
	kW min (Pn)	7.5	7.5	7.5	7.5	7.5
Gas supply connection	(mm)	22	22	22	22	22
Inlet supply pressure (natural gas)	mbar	20	20	20	20	20
Maximum gas rate	m³/hr	1.42	1.75	2.07	2.73	3.27
<b>Mechanical and hydraulic</b>						
Compartment ventilation required		X	X	X	X	X
Flow / return pipe size	(mm)	22	22	22	22	22
Condensate discharge pipe size	(mm)	21.50	21.50	21.50	21.50	21.50
<b>Electrical</b>						
Electrical supply	Volts / Hz	230V / 50Hz	230V / 50Hz	230V / 50Hz	230V / 50Hz	230V / 50Hz
Permanent live required	Yes / no	X	X	X	X	X
Switched live	Yes / no	✓	✓	✓	✓	✓
Electrical power cable fitted as standard	1m of 3 core	✓	✓	✓	✓	✓
Power consumption	Watts	17	20	23	33	44
External fuse rating	Amps	3	3	3	3	3
Internal fuse rating		1.6T	1.6T	1.6T	1.6T	1.6T
Boiler IP rating (electrical protection)	Approval category	IPX4D	IPX4D	IPX4D	IPX4D	IPX4D
Pump overrun	Yes / no	X	X	X	X	X
<b>Concentric flue system</b>						
Standard telescopic concentric flue	Length in mm	315-500	315-500	315-500	315-500	315-500
Standard in-case rear telescopic concentric flue	Length in mm	220 - 345	220 - 345	220 - 345	220 - 345	220 - 345
Horizontal and Vertical concentric (60/100 mm)	Max equivalent length (m)	6	6	6	6	6
	Reduction per 135° bend (m)	0.5	0.5	0.5	0.5	0.5
	Reduction per 93° bend (m)	1	1	1	1	1
Horizontal and Vertical concentric (80/125 mm)	Max equivalent length (m)	12	12	12	12	12
<b>Weight</b>						
Installer lift weight	Max (kg)	19.5	19.5	19.5	19.5	19.5
Gross packaged boiler weight	(kg)	21.5	21.5	21.5	21.5	21.5

# What's inside the boiler?

## Baxi 400 Heat



HOW WE MAKE IT EASY

Service is easier and quicker, and no special tools are required

# Flues

## Horizontal concentric flues Ø 60/100mm

### Multifit Flue Group A

Item description	Colour	Specification	Key and OD dimensions	Sales code
1 Horizontal telescopic flue inc. low profile elbow and fixing screws	White pipe/white terminal	315mm - 500mm	100mm	720599401
2 Horizontal telescopic flue inc. low profile elbow and fixing screws	White pipe/black terminal	315mm - 500mm	100mm	720598701
3 1m flue extension inc. fixing screws and bracket	White	1000mm	100mm	720648801
4 93° flue bend inc. fixing screws	White	93°	100mm	720648401
5 135° flue bend inc. fixing screws (pair)	White	135°	100mm	720647901
6 Standard horizontal flue inc. low profile elbow and fixing screws	White pipe/black terminal	685mm	100mm	7222019
7 Horizontal telescopic in case rear flue inc. fixing screws	White pipe/black terminal		100mm	7210434

## Plume displacement kits Ø 60/100mm

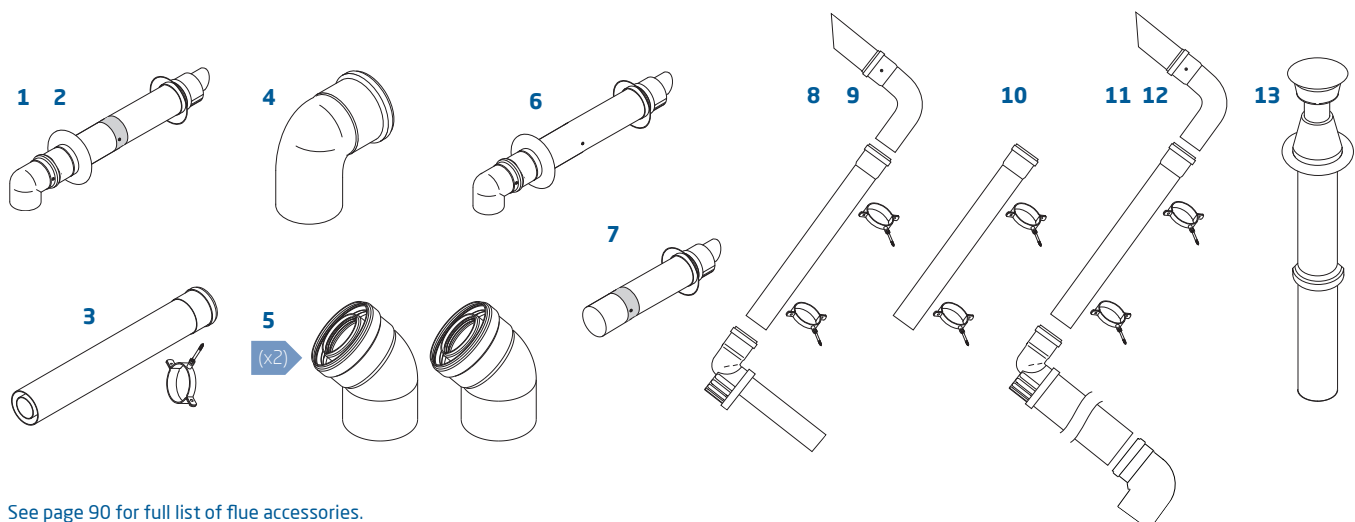
### Multifit Flue Group A

Item description	Colour	Specification	Key and OD dimensions	Sales code
8 Plume displacement terminal kit for telescopic flue inc 1m extension and brackets	White		60mm	720627001
9 Plume displacement terminal kit for telescopic flue inc 1m extension and brackets	Black		60mm	720622901
10 Plume displacement kit extension and brackets	White	1000mm	60mm	720643401
11 Plume displacement terminal kit inc. 1m extension and brackets	White		100mm	7225717
12 Plume displacement terminal kit inc. 1m extension and brackets	Black		100mm	7225716

## Vertical concentric flues Ø 60/100mm

### Multifit Flue Group A

Item description	Colour	Specification	Key and OD dimensions	Sales code
13 Vertical flue terminal	Black		100mm	5118576
3 1m flue extension inc. fixing screws and bracket	White	1000mm	100mm	720648801
4 93° flue bend inc. fixing screws	White	93°	100mm	720648401
5 135° flue bend inc. fixing screws (pair)	White	135°	100mm	720647901



See page 90 for full list of flue accessories.



**A** Efficiency Rating

**3 yr** WARRANTY\*

**ONLY 19.5kg**

**CUPBOARD FIT**

**TOP CENTRAL FLUE**

**NO PUMP OVERRUN**

**FRONT AND SIDE ACCESS**

## Key features

Outputs: 12kW, 15kW, 18kW, 24kW and 30kW

Only 19.5kg installer lift weight

Cupboard fit

Easy fit wall mounting bracket

One metre lead included

Top central flue

No pump overrun or permanent live required

Front and side access

Wide choice of flue lengths, bends and accessories

## Benefits

To suit most property sizes

The lightest boiler available in UK\*\*

Can be installed discreetly

Robust with a positive fix and audible lock so you know it's secure

Easy to install and you don't need access to the control box

Easy replacement for existing boilers

Saves time and money during installation, and less disruption for the householder

Servicing is easier and quicker, and no special tools are required

For versatile siting

\* Subject to registration and an annual service. Terms and conditions apply. Visit [baxi.co.uk/warranty](http://baxi.co.uk/warranty) \*\* As at October 2018.



*I found the 200 Heat really easy to install and was surprisingly shocked how light weight it was. From an installation point of view, I would say it's a great product and I will continue to recommend it.*

**Daniel Stimp**

# Baxi 200 Heat

The Baxi 200 Heat is, at only 19.5kg, the lightest boiler available on the UK market.\*\* It has a central flue and does not need a pump overrun or permanent live, making it suitable as a replacement for old boilers.

Small enough to fit into a cupboard, the Baxi 200 Heat has a contemporary style that will also fit with any modern interior.

## Accessories and control

The following accessories are compatible with the Baxi 200 Heat.



**7212443**  
Baxi twin channel  
wired programmer



**720971601**  
Baxi room  
thermostat



**7211473**  
Potterton EP  
series 2



Megafluo Eco cylinder  
See [www.heatraesadia.com](http://www.heatraesadia.com)  
for range of cylinders.

# Technical specifications

HOW WE MAKE IT EASY

Servicing is easier and quicker, and no special tools are required



## Boiler dimensions

Width [A]	Height [B]	Depth [C]
370mm	625mm	270mm

## Service clearances

Side [D]	Upper [E]	Lower [F]	Front [G]
5mm*	190mm*	120mm* (* 35mm in 300mm deep wall cupboard)	5mm* (* in operation, 500mm for servicing)

\*These are the minimum recommended dimensions. Greater clearance will aid installation and maintenance.



## What's in the box?



Baxi 200 Heat boiler



Wall bracket



Literature pack



Power lead



Copper tail (gas connection) and fibre washer

# Technical details

## Baxi 200 Heat ErP

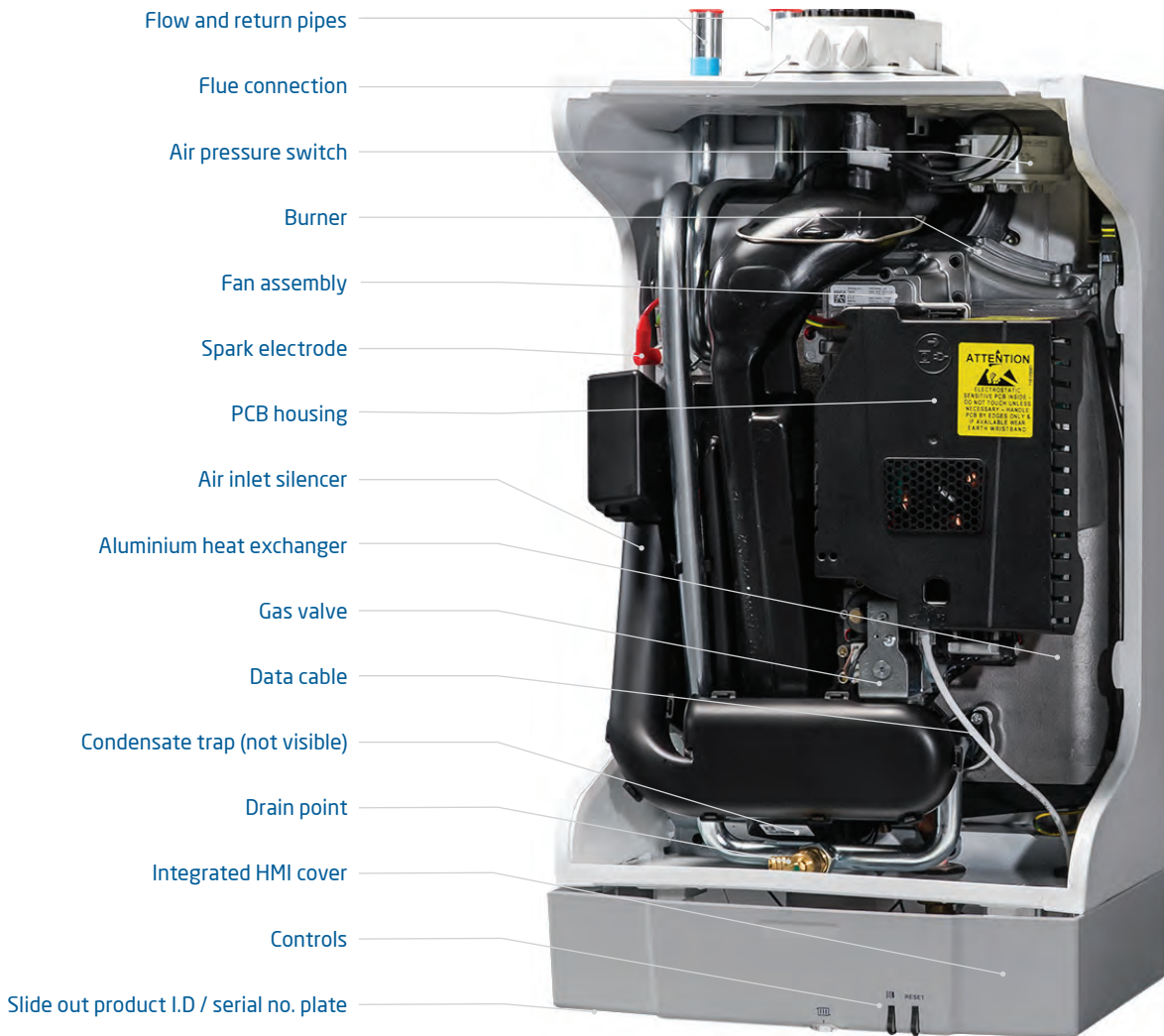
## 212 Heat 215 Heat 218 Heat 224 Heat 230 Heat

Sales code	Boiler only	7668926	7668927	7668928	7668929	7668930
<b>Controls and accessories</b>						
Operating mode selector switch with reset	Yes / no	✓	✓	✓	✓	✓
User adjustable CH temperature	Range - e.g. 45°C to 82°C	✓	✓	✓	✓	✓
LED temp/status/fault diagnosis display	Yes / no	✓	✓	✓	✓	✓
Baxi twin channel wired programmer	7212443	Optional	Optional	Optional	Optional	Optional
Baxi room thermostat	720971601	Optional	Optional	Optional	Optional	Optional
<b>Gas</b>						
Boiler Plus ErP	%	93.0	93.0	93.0	93.0	93.0
SAP 2009 annual efficiency (PCDB/SEDBUK)	%	89.2	89.2	89.2	89.1	89.1
NOx class	1 - 5	6	6	6	6	6
<b>ErP Product Information</b>						
NOx	mg/kWh	18	20	21	23	24
Sound power level, indoors	LWA dB	32	33	34	35	37
Space heating efficiency class		A	A	A	A	A
Heat input CH	kW max gross (QnHs)	14.88	18.32	21.75	24.04	28.62
	kW min gross (QnHs)	8.59	8.59	8.59	8.59	8.59
	kW max (Pn)	13	16	19	21	25
Heat output CH (non condensing)	kW min (Pn)	7.5	7.5	7.5	7.5	7.5
Gas supply connection	(mm)	22	22	22	22	22
Inlet supply pressure (natural gas)	mbar	20	20	20	20	20
Maximum gas rate	m³/hr	1.42	1.75	2.07	2.29	2.73
<b>Mechanical and hydraulic</b>						
Compartment ventilation required	Yes / no	x	x	x	x	x
Flow / return pipe size	(mm)	22	22	22	22	22
Condensate discharge pipe size	(mm)	21.50	21.50	21.50	21.50	21.50
<b>Electrical</b>						
Electrical supply	Volts / Hz	230V / 50Hz	230V / 50Hz	230V / 50Hz	230V / 50Hz	230V / 50Hz
Permanent live required	Yes / no	x	x	x	x	x
Switched live	Yes / no	✓	✓	✓	✓	✓
Electrical power cable fitted as standard	1m of 3 core	✓	✓	✓	✓	✓
Power consumption	Watts	17	20	23	25	33
External fuse rating	Amps	3	3	3	3	3
Internal fuse rating		1.6T	1.6T	1.6T	1.6T	1.6T
Boiler IP rating (electrical protection)	Approval category	IPX4D	IPX4D	IPX4D	IPX4D	IPX4D
Pump overrun	Yes / no	x	x	x	x	x
<b>Concentric flue system</b>						
Standard telescopic concentric flue	Length in mm	315-500	315-500	315-500	315-500	315-500
Horizontal and Vertical concentric (60/100 mm)	Max equivalent length (m)	6	6	6	6	6
	Reduction per 135° bend (m)	0.5	0.5	0.5	0.5	0.5
	Reduction per 93° bend (m)	1	1	1	1	1
Horizontal and Vertical concentric (80/125 mm)	Max equivalent length (m)	12	12	12	12	12
<b>Weight</b>						
Installer lift weight	Max (kg)	19.5	19.5	19.5	19.5	19.5
Gross packaged boiler weight	(kg)	21.5	21.5	21.5	21.5	21.5



# What's inside the boiler?

Baxi 200 Heat



HOW WE MAKE IT EASY  
**No pump overrun  
or permanent live  
required**

# Flues

## Horizontal concentric flues Ø 60/100mm

### Multifit Flue Group A

Item description	Colour	Specification	Key and OD dimensions	Sales code
1 Horizontal telescopic flue inc. low profile elbow and fixing screws	White pipe/white terminal	315mm - 500mm	100mm	720599401
2 Horizontal telescopic flue inc. low profile elbow and fixing screws	White pipe/black terminal	315mm - 500mm	100mm	720598701
3 1m flue extension inc. fixing screws and bracket	White	1000mm	100mm	720648801
4 93° flue bend inc. fixing screws	White	93°	100mm	720648401
5 135° flue bend inc. fixing screws (pair)	White	135°	100mm	720647901
6 Standard horizontal flue inc. low profile elbow and fixing screws	White pipe/black terminal	685mm	100mm	7222019

## Plume displacement kits Ø 60/100mm

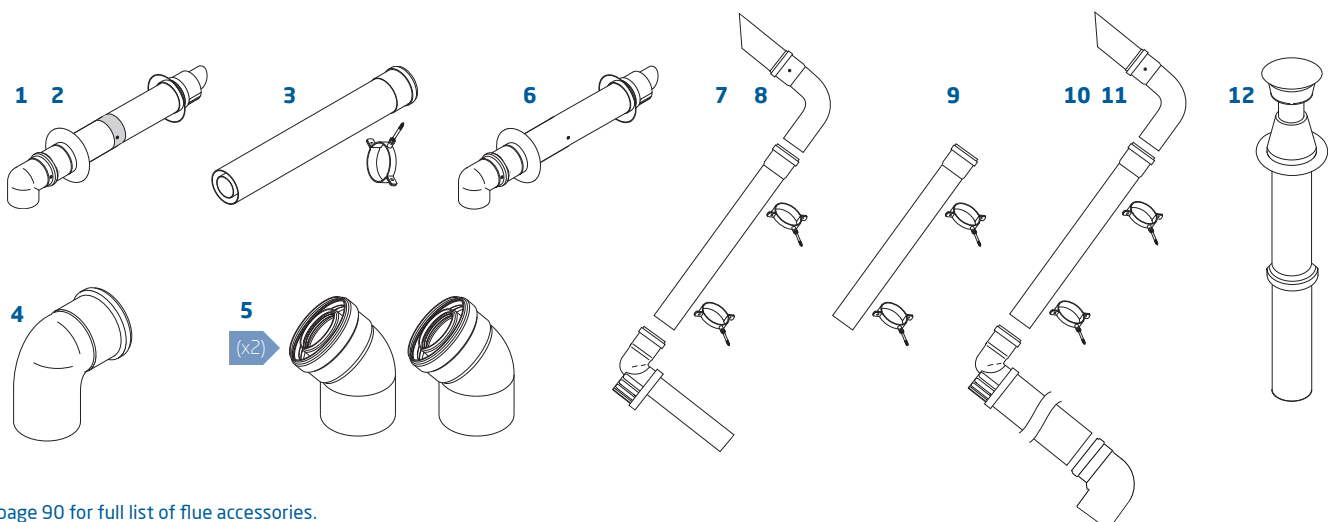
### Multifit Flue Group A

Item description	Colour	Specification	Key and OD dimensions	Sales code
7 Plume displacement terminal kit for telescopic flue inc 1m extension and brackets	White		60mm	720627001
8 Plume displacement terminal kit for telescopic flue inc 1m extension and brackets	Black		60mm	720622901
9 Plume displacement kit extension and brackets	White	1000mm	60mm	720643401
10 Plume displacement terminal kit inc. 1m extension and brackets	White		60mm	7225717
11 Plume displacement terminal kit inc. 1m extension and brackets	Black		60mm	7225716

## Vertical concentric flues Ø 60/100mm

### Multifit Flue Group A

Item description	Colour	Specification	Key and OD dimensions	Sales code
12 Vertical flue terminal	Black		100mm	5118576
3 1m flue extension inc. fixing screws and bracket	White	1000mm	100mm	720648801
4 93° flue bend inc. fixing screws	White	93°	100mm	720648401
5 135° flue bend inc. fixing screws (pair)	White	135°	100mm	720647901





## Feature

Sensor housing clips into the air duct of a horizontal or vertical flue terminal

Fits under the air duct

Free flow of air over the sensor

Two wire cable runs back to the boiler down the flue air duct

A connector block that is suitable to be installed within the flue air duct

A resistor for high heat loss houses

SAP benefit for new builds

Multifit IFOS System relay simply clips onto the board

Multifit IFOS Extension kit

Multifit IFOS Ridge Tile with connector

## Benefit

Quick and easy, takes minutes to fit

Kept out of direct sunlight, so no need to fit on a north/north west wall; no height restrictions

More accurate temperature sensing, ensuring best possible operation

Extremely simple to fit, with no drilling or disruption

When used with the Extension Kit, the wire can be extended to any length of flue, for more versatile siting of boiler

The flow temperature can be set higher for high heat loss properties

Helps to maximise the SAP rating of the property

Compatible with Baxi 600 System, Main Eco Compact System, Potterton Assure System so that an IFOS can be installed

It can safely extend the length of the Multifit IFOS Combi, Multifit IFOS System and Multifit IFOS Ridge Tile kit by up to 5 metres.

Pre-fitted to make installation as easy as possible; IFOS can be extended to suit any length of flue

Great product easy add on for boiler plus  
 Simple wiring, it routes nicely from flue down the inside of the boiler, the  
 cheapest way to get Boiler Plus -  
**Approved Technical Services Ltd**

# Multifit IFOS In Flue Outdoor Sensor

Baxi has made it even easier to comply with Boiler Plus!

- Now available for horizontal and vertical flues
- Multifit IFOS System kit for use with Baxi 600 System, Potterton Assure System and Main Eco Compact System
- Multifit IFOS Ridge Tile - reduces the time spent working at height



Multifit IFOS  
 Combi  
 7724181



Multifit IFOS  
 System  
 7729979



Multifit IFOS  
 Extension  
 7724260



Multifit IFOS  
 Ridge Tile  
 7729943

# Flue solutions

Multifit flue kits now come with positive screw fixings for all connections and are available in a choice of lengths to reduce the need for onsite cutting. By popular demand we offer a choice of colours for the terminals to match existing rainwater systems.

	Flue type	Group A	Group G
Maximum permissible equivalent flue lengths for Baxi combi, system boilers are:	Horizontal concentric Vertical concentric	10m 10m	20m 20m
Maximum permissible equivalent flue lengths for Baxi heat only boilers are:	Horizontal concentric Vertical concentric	6m 6m	12m 12m
Where inline bends are required in a flue system, the overall length must be reduced by the following amounts:	Concentric pipes	135° bend 93° bend	0.5m 1m

## Horizontal concentric flues Ø 60/100mm

### Multifit Flue Group A

Item	Description (multifit) flue system	Colour	Specification	Key and OD dimensions	Sales code
1	Horizontal telescopic flue inc. low profile elbow and fixing screws	White pipe/ white terminal	315mm - 500mm	60/100mm	720599401
2	Horizontal telescopic flue inc. low profile elbow and fixing screws	White pipe/ black terminal	315mm - 500mm	60/100mm	720598701
3	Horizontal telescopic flue inc. low profile elbow and fixing screws	White pipe/ brown terminal	315mm - 500mm	60/100mm	720642701
4	Standard horizontal flue inc. low profile elbow and fixing screws*	White pipe/ black terminal	685mm	100mm	7222019
5	Flue terminal deflector	White		60mm	720644201
6	Flue terminal deflector	Black		60mm	5111068
7	Flue terminal deflector	Brown		60mm	720644301
8	1m flue extension inc. fixing screws	White	1000mm	100mm	720648801
9	0.5m flue extension inc. fixing screws	White	500mm	100mm	720643001
10	0.25m flue extension inc. fixing screws	White	250mm	100mm	720643101
11	93° flue bend inc. fixing screws	White	93°	100mm	720648401
12	135° flue bend inc. fixing screws	White	135°	100mm	720648501
13	135° flue bend inc. fixing screws (pair)	White	135°	100mm	720647901
14	Offset adaptor elbow	White	EcoBlue Advance Combi and Ecoblue 32 System only	100mm	720635501
15	Stainless steel terminal guard - Ø 60/100	S/S	Stainless steel	100mm	720627901

## Plume displacement kits Ø 60/100mm

### Multifit Flue Group A

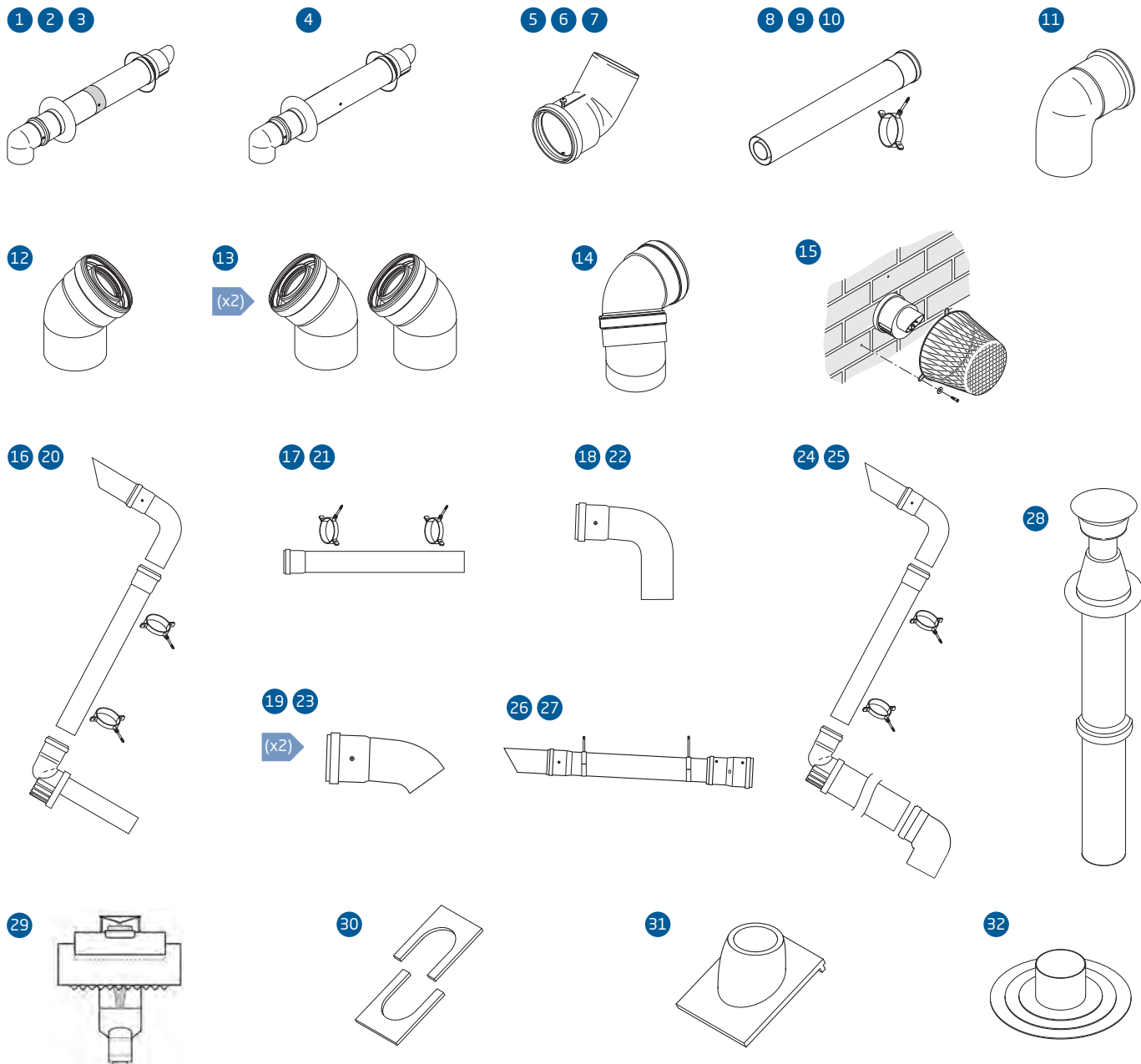
Item	Description (multifit) flue system	Colour	Specification	Key and OD dimensions	Sales code
16	Plume displacement terminal kit for telescopic flue inc. 1m extension and brackets	White		60mm	720627001
17	Plume displacement kit extension and brackets	White	1000mm	60mm	720643401
18	Plume displacement kit bend	White	93°	60mm	5121369
19	Plume displacement kit bend - pair	White	135°	60mm	5121370
20	Plume displacement terminal kit for telescopic flue inc. 1m extension and brackets	Black		60mm	720622901
21	Plume displacement kit extension and brackets	Black	1000mm	60mm	720643301
22	Plume displacement kit bend	Black	93°	60mm	720648701
23	Plume displacement kit bend - pair	Black	135°	60mm	720648601
24	Plume displacement terminal kit inc. 1m extension and brackets	White		60mm	7225717
25	Plume displacement terminal kit inc. 1m extension and brackets	Black		60mm	7225716

\* Not compatible with items 16 and 20

# Vertical concentric flues Ø 60/100mm

## Multifit Flue Group A

Item	Description (multifit) flue system	Colour	Specification	Key and OD dimensions	Sales code
26	Under balcony eaves flue kit	White	135°	60mm	7211039
27	Under balcony eaves flue kit	Black	135°	60mm	7211041
28	Vertical flue terminal	Black		100mm	5118576
29	Vertical ridge flue terminal	Brown		100mm	720647101
30	Roof cover plate			125mm	246143
8	1m flue extension inc. fixing screws	White	1000mm	100mm	720648801
9	0.5m flue extension inc. fixing screws	White	500mm	100mm	720643001
10	0.25m flue extension inc. fixing screws	White	250mm	100mm	720643101
11	93° flue bend inc. fixing screws	White	93°	100mm	720648401
12	135° flue bend inc. fixing screws	White	135°	100mm	720648501
13	135° flue bend (pair) inc. fixing screws	White	135°	100mm	720647901
31	Pitched roof flashing		25°/50°	125mm	5122151
32	Flat roof flashing			125mm	246144



# Flue solutions

## Horizontal concentric flues Ø 80/125mm

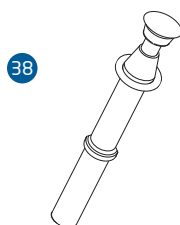
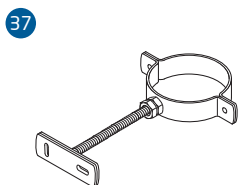
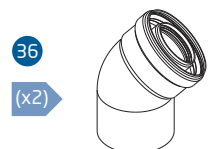
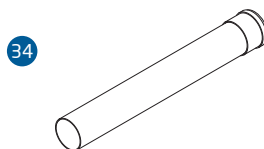
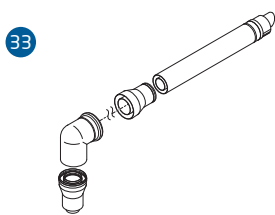
### Multifit Flue Group G

Item	Description (multifit) flue system	Colour	Specification	Key and OD dimensions	Sales code
33	Horizontal flue inc. boiler and terminal adaptors	Black		125mm	5118580
34	1m flue extension	White	1000mm	125mm	5118584
35	Flue bend	White	91.5°	125mm	5118588
36	Flue bend (pair)	White	135°	125mm	5118597
37	Pipe support bracket	White	125mm flue pipes	125mm	5118610

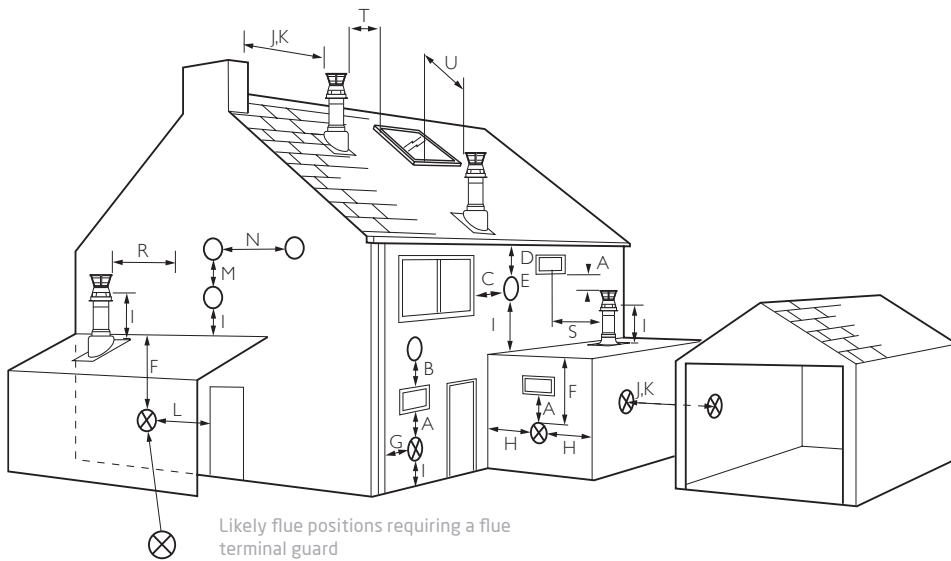
## Vertical concentric flues Ø 80/125mm

### Multifit Flue Group G

Item	Description (multifit) flue system	Colour	Specification	Key and OD dimensions	Sales code
38	Vertical flue terminal	Black		125mm	5111078
34	1m flue extension	White	1000mm	125mm	5118584
35	Flue bend	White	91.5°	125mm	5118588
36	Flue bend (pair)	White	135°	125mm	5118597
30	Roof cover plate			125mm	246143
39	Flue vertical adaptor	White		100/125mm	5111070
31	Pitched roof flashing		25°/55°	125mm	5122151
32	Flat roof flashing			125mm	246144
36	Pipe support brackets	White	125mm flue pipes	125mm	5118610





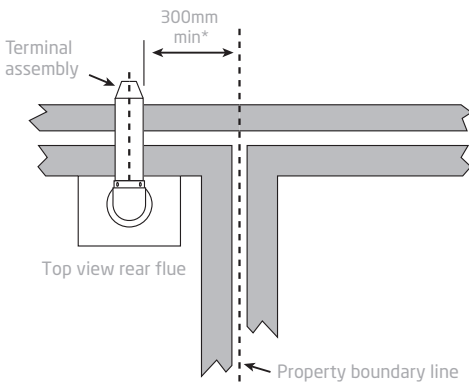


### Terminal position with minimum distance

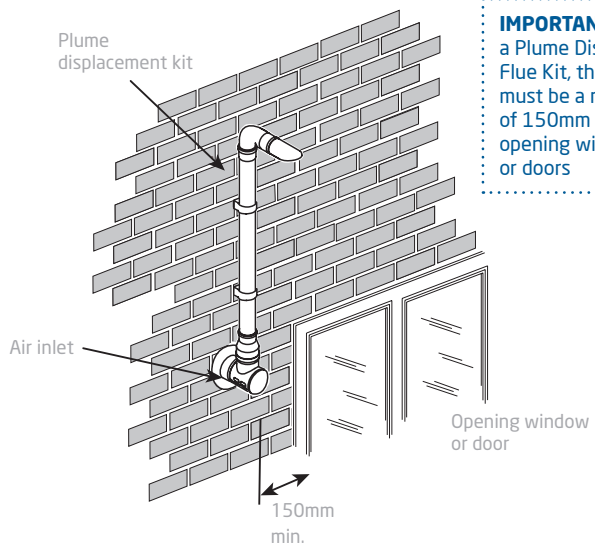
- A<sup>1</sup> Directly below an opening, air brick, opening windows etc
- B<sup>1</sup> Above an opening, air brick, opening window etc
- C<sup>1</sup> Horizontally to an opening, air brick, opening window etc
- D<sup>2</sup> Below gutters, soil pipes or drain pipes
- E<sup>2</sup> Below eaves
- F<sup>2</sup> Below balconies or car port roof
- G<sup>2</sup> From a vertical drain pipe or soil pipe
- H<sup>2</sup> From an internal or external corner
- I Above ground, roof or balcony level
- J From a surface or boundary line facing a terminal
- K From a terminal facing a terminal (Horizontal flue)
- K From a terminal facing a terminal (Vertical flue)

(mm)		
L	From an opening in a carport (e.g. door, window) into the dwelling	1200
M	Vertically from a terminal on the same wall	1500
N	Horizontally from a terminal on the same wall	300
R	From adjacent wall to flue (vertical only)	300
S	From an adjacent opening window (vertical only)	300
T	Adjacent to windows or openings on pitched and flat roofs	600
U	Below windows or openings on pitched roofs	2000

1. In addition, the terminal should be no nearer than 150mm to an opening in the building fabric formed for the purpose of accommodating a built-in element such as a window frame.
2. Only ONE 25mm clearance is allowed per installation. If one of the dimensions D, E, F, G or H is 25mm then the remainder MUST be as B.S.5440-1.



**NOTE:** The distance from a fanned draught appliance terminal installed parallel to a boundary may not be less than 300mm in accordance with the diagram.



**IMPORTANT:** If fitting a Plume Displacement Flue Kit, the air inlet must be a minimum of 150mm from any opening windows or doors



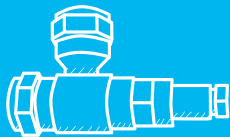
# How we can help



## Baxi Customer Support

- Team of experts with products at hand to support installation, service and repair
- Further technical support and how-to videos available at [baxi.co.uk](https://www.baxi.co.uk)

Call us on **0344 871 1525**



## Baxi Genuine Parts

- Approved parts for Baxi products
- Guaranteed quality, safety and reliability
- Nationwide network of approved stockists
- Lifetime support for Baxi products
- Range of heating essentials available

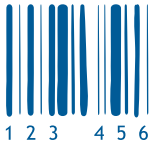
Call our knowledgeable and helpful team on **0344 871 1540** or visit [baxi.co.uk/baxi-genuine-parts.htm](https://www.baxi.co.uk/baxi-genuine-parts.htm) to identify parts and find your nearest stockist



## Training

- Practical, hands on training
- Free of charge product training
- A range of specialist courses
- Expert trainers, all accredited, former heating engineers
- Training centres across the UK

Visit [baxi.co.uk/training](https://www.baxi.co.uk/training) or call **0344 335 4207**



## Baxi Works

Sign up to **Baxi Works**, Baxi's online loyalty scheme for installers. Benefits include:

- Same or next day engineer call out from Baxi Customer Support\*
- Free Gas Safe notification and easy warranty registration
- Scan your barcodes using the Baxi Toolbelt App
- Free annual service reminders sent to your customers on your behalf
- Free listing on [baxi.co.uk](http://baxi.co.uk) to receive homeowner leads
- Earn points for every boiler you register

Visit [baxiworks.co.uk](http://baxiworks.co.uk) to find out more



## Events

Visit Baxi Area Sales Managers at your local merchant for an opportunity to get your hands on the latest Baxi boilers and discuss developments in the heating industry.

For more information and to join us at a merchant local to you, visit [baxievents.co.uk](http://baxievents.co.uk)



## Literature

You can order all the literature you need for you and your customers, including:

- Range guides
- Product brochures for consumers
- Installation instructions
- User guides
- Instructions for discontinued products

Call the Baxi literature hotline on **0344 871 1525** or contact your local Baxi Area Sales Manager.

All our literature can be downloaded from our website [baxi.co.uk](http://baxi.co.uk)

\* Full Baxi Works terms and conditions apply.



0344 871 1525

#### Opening hours

Monday - Friday, 8.00am - 6.00pm

Weekends and bank holidays, 8.30am - 2.00pm

We are open 365 days a year.

Please note calls may be monitored or recorded.



[baxi.co.uk](http://baxi.co.uk)



[info@baxi.co.uk](mailto:info@baxi.co.uk)



Baxi

Brooks House

Coventry Road

Warwick CV34 4LL

#### Follow us



This brochure is printed on paper sourced from well managed forests and other controlled sources, using vegetable based inks. Please recycle this brochure when you have finished with it.

Baxi policy is one of continual improvement and development. The right to change specification and appearance without prior notice is reserved. The reproduction of colours is as accurate as photographic and printing processes allow. The consumer's statutory rights are not affected. e&oe

Baxi range guide/Aug19