



Heating



Hot water



Renewables

Vaillant Boiler Protection Kit

Fast, easy removal of the smallest dirt particles with unique magnetic field boosted technology

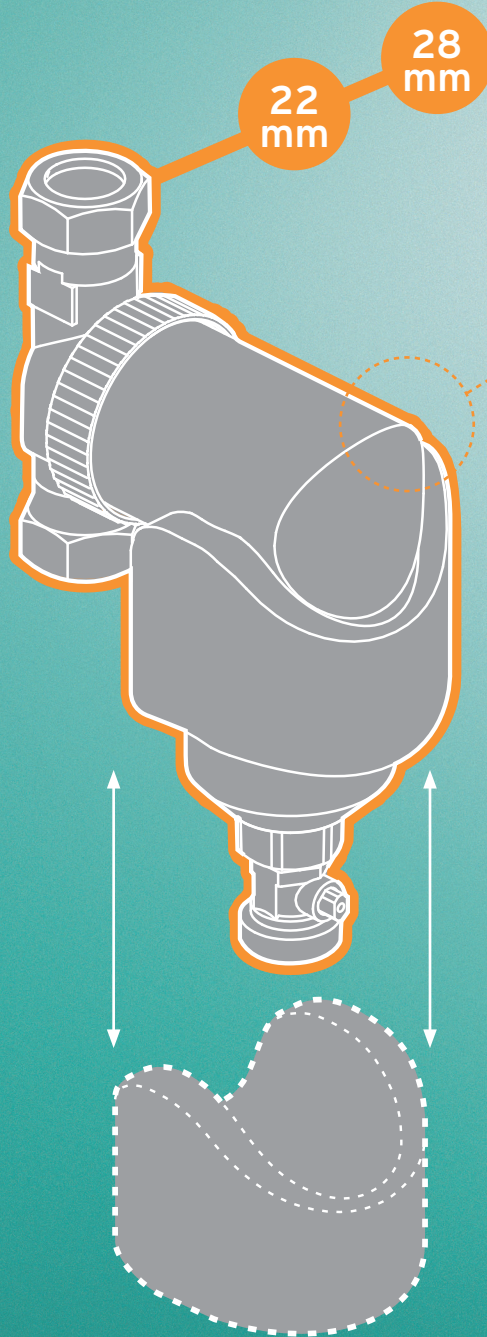


Rapid particulate removal



Year Guarantee

10 year Boiler Protection Kit Guarantee when installed with an ecoTEC plus or ecoTEC exclusive with Green iQ and registered on Vaillant Advance



Removable high-powered magnet



Sturdy brass housing



Quick, easy universal installation (360° rotatable connections)



Quick and easy cleaning

Boiler Protection Kit

The Vaillant Boiler Protection Kit is a highly effective, powerful filter for removing both magnetic and non-magnetic dirt particles from the system water. Available in connection sizes 22 and 28mm.



Comfort for my home

Boiler Protection Kit

Today's highly energy-efficient heating systems offer optimal performance with dirt-free water. In untreated systems, dirt can build up in multiple places throughout the system. Studies and practical experience show magnetite in particular leads to decreased energy efficiency and therefore higher energy costs. Ensuring quick and efficient dirt removal therefore is vital.

Key features and benefits of a metal filter

- 10 year Boiler Protection Kit Guarantee - when installed with the ecoTEC plus or ecoTEC exclusive with Green iQ ranges and installed on Vaillant Advance
- Proven technology to give reliable central heating system protection
- Efficient removal of both magnetic and non-magnetic particulates
- Long working life - filter is guaranteed for 20 years
- Easy installation and simple maintenance which saves time and money
- Instant operation as soon as the system is up and running
- The automatic filtration system protection helps to cut energy bills

Vaillant filter technical specification

Vaillant article number	0020278309	0020278310
Connection	22mm comp	28mm comp
Nominal flow rate (m ³ /h)	1.3	2.0
Δp at nominal flow (kPa)	2.1	3.8
Volume (ltr)	0.36	0.39
Weight (kg)	2.2	2.3
Maximum operating pressure 6 bar		
Fluid temperature 0-110 °C		
Nominal flow velocity 1 m/s		

What is the Boiler Protection Kit?

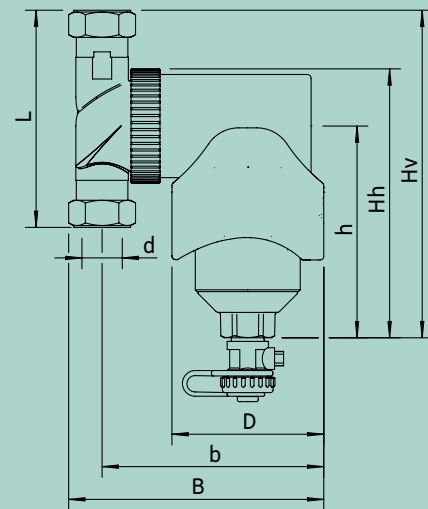
The Vaillant Boiler Protection Kit will make it even easier for you to install comfort. The kit includes:

- Litmus paper to enable easy pH checks of the system water during commissioning and ongoing servicing visits to keep system water at optimum quality
- Magnetic filter - for removal of magnetic and non-magnetic particles from the system water
- Fitting instructions/system water quality maintenance information

The boiler protection kit is available in two different versions:

- 22mm Boiler Protection Kit - suitable for domestic boilers up to 27kW heating output
- 28mm Boiler Protection Kit - suitable for domestic boilers from 28 to 45kW heating output

Dimensions



Dimensions	22mm fitting (0020278309)	28mm fitting (0020278310)
d	22mm	28mm
Hv	177mm	177mm
Hh	149mm	149mm
L	112mm	112mm
b	123mm	127mm
B	141mm	149mm
D	84mm	84mm

Boiler Protection Kit content



Heating Hot water Renewables

For more information visit vaillant.co.uk/10year

Vaillant Group UK Ltd.
Nottingham Road, Belper, Derbyshire DE56 1JT
Telephone 0345 602 2922
info@vaillant.co.uk