

SPIROTECH SPECIFICATION SHEET



Product: SpiroTrap Universal
Rp 2" Threated fitting

Type: UE200WJ

Customer:

Project:

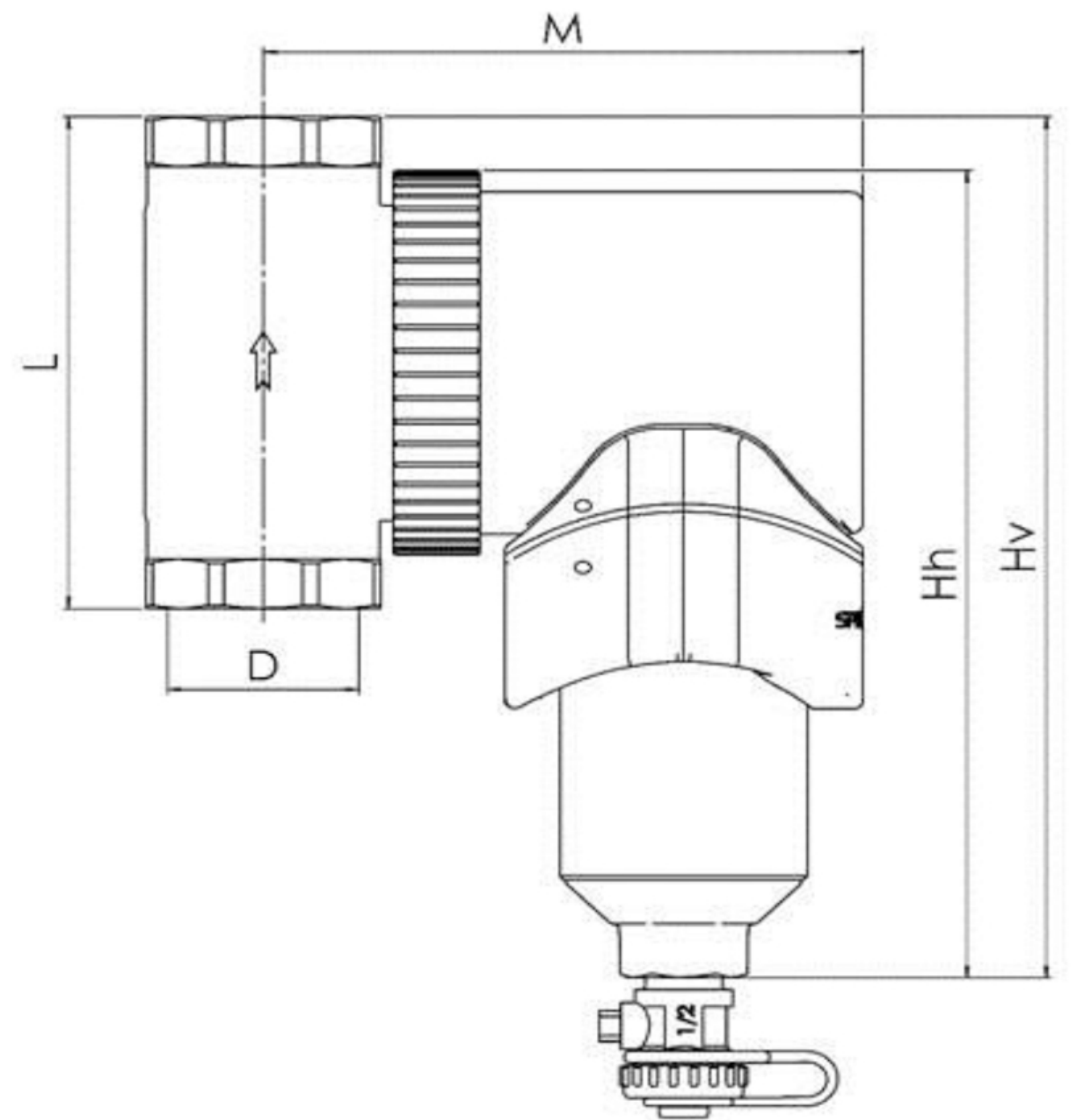
Date:

Reference:

Design criteria

Medium: Water / glycol (max 50%)
 Max. flow velocity: 1 m/s
 Max. flow rate: 2.10 l/s
 Max. pressure: 10 bar-g
 Max. temperature: 110 °C
 Design standard: EN 13445

Drawing:



Testing and quality assurance

Design and manufacturing acc. 97/23/EC: yes

Construction materials

Body: Brass
 Swivel: Brass
 Drain valve: Brass
 Spirotube Tube: Copper
 Wire: Copper
 Solder: Tin(SnCu3)
 Magnet: Neodymium

Dimensions:

D Rp 2"
 Hv 224 mm
 Hh 210 mm
 L 128 mm
 M 148 mm

Volume: 0.75 ltr
 Dry weight (approx): 3.85 kg

Subject to changes