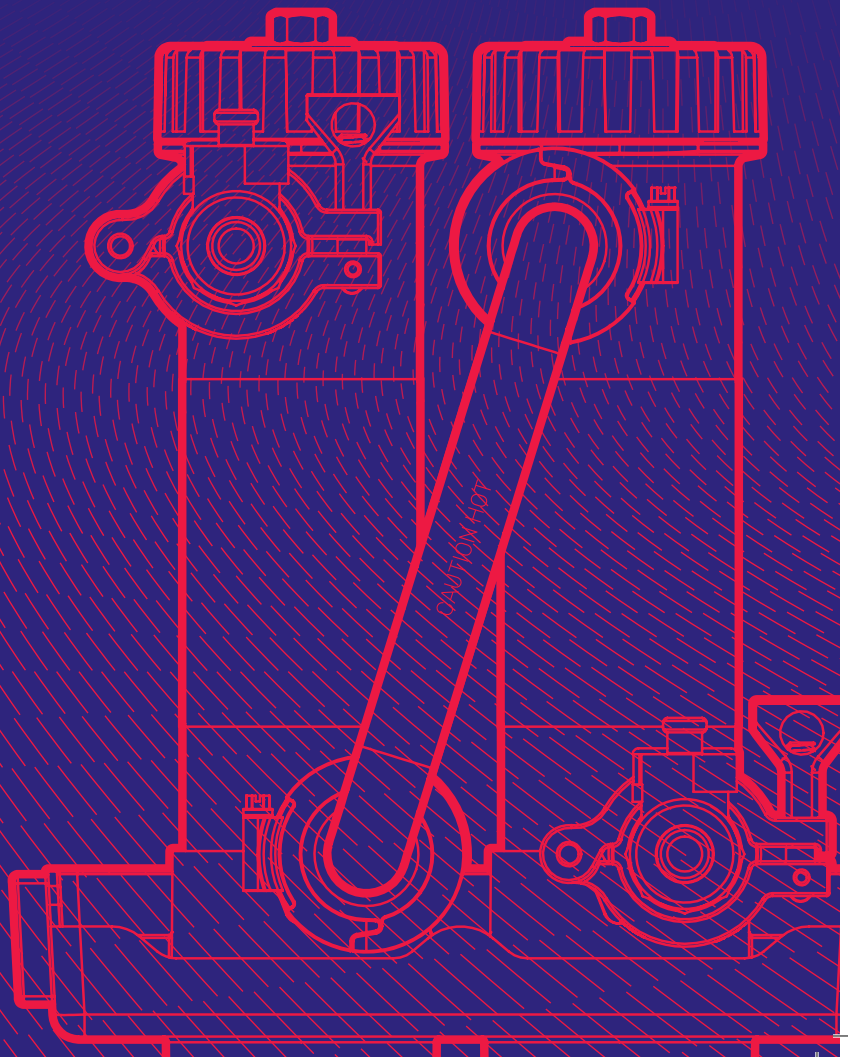




MagnaCleanse[®]

Advanced Central Heating System Flushing

Assembly Guide



Important

CAUTION:



MagnaCleanse RapidFlush® filters contain strong magnets. Keep away from all electrical devices, bank cards and other magnetic devices.



MagnaCleanse RapidFlush filters contain strong magnets. Caution should be taken at all times when handling if you have a pacemaker fitted.



MagnaCleanse RapidFlush filters are pressurised devices. Always release pressure before servicing.



MagnaCleanse® system will be hot in operation. Handle with care.



Check jubilee clips and hoses are secure before and during use. Monitor *MagnaCleanse* during operation.



Jubilee clips should be secured half an inch from the end of the hose. Once the system heats up, it may be necessary to tighten the clip, to ensure it is clamped down.

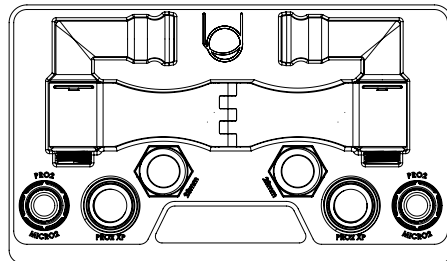
Red protection caps fit onto the ends of the jubilee clips to protect the installer against the sharp edges.

THIS PRODUCT COMPLIES WITH CURRENT EU PRODUCT LEGISLATION

Contents

MaganCleanse system contents, including:

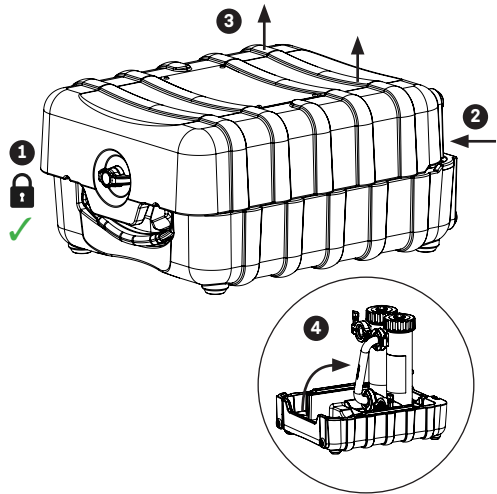
- *MagnaCleanse RapidFlush* filter
- *VibraClean*® radiator agitator
- *MagnaCleanse* adaptor kit
- *MagnaCleanse* hose-to-valve connector
- Hose lengths (x2)
- Hose clamps (x6)
- Female camlocks (x2)
- Tri-clamps (x2)
- Drain valve
- *MagnaClean*® Atom adaptor



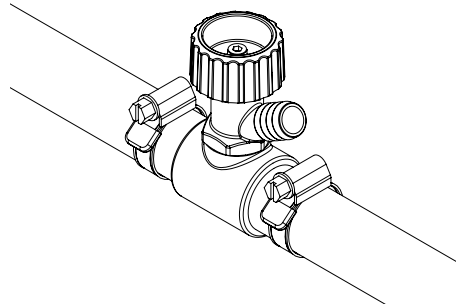
ADEY spares available from adeyspares.co.uk

MagnaCleanse Assembly

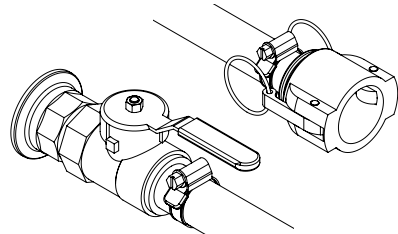
- 1 Unlock the catch by turning it to a horizontal position. Slide the lid off the case. Lift the canisters from the base and stand them up, slotting them into recessed area.



- 2 Cut one of the hoses 350mm from one end and install the drain point. Make sure it is secured with the jubilee clips provided. Always check ALL jubilee clips are tight when machine is in operation. Connect the two lengths of hose to either side of the drain valve, securing with jubilee clips (approx. a finger width from the connection).



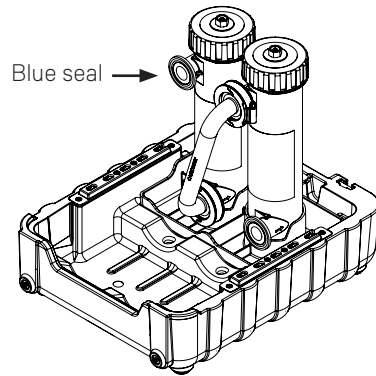
- 3 Remove the *RapidFlush* lever valve and tri-clamp fitting from the box. Add PTFE sealing tape to the thread before tightening. Ensure washer provided is fitted between tri-clamp and lever arm. Do not over-tighten. Attach to one end of the hose with the jubilee clip provided.



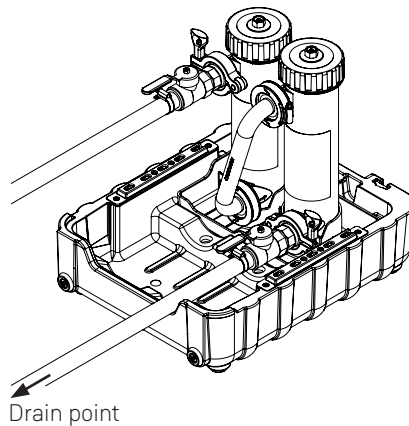
Fit no.2 cam lock to the other end of the hose with jubilee clips provided.

MagnaCleanse assembly continued

- 4 Attach blue seals to the inlets on the canister.



- 5 Attach the valves to the inlets on the *RapidFlush* filter. Fit tri-clamps over the pair of flanges, seal and tighten screw. Ensure the hose containing the drain off is attached to the bottom right inlet.



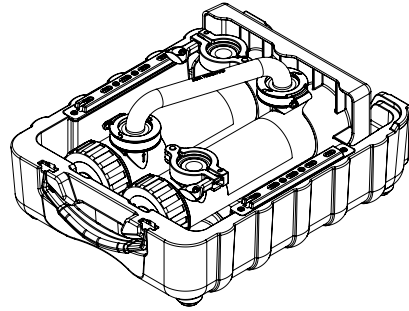
- 6 Your *RapidFlush* filter is now ready for use.

Packing *MagnaCleanse*

Take *MagnaCleanse* and hoses outside, being careful not to spill anything.

Dismantle, drain, clean and dry the system before replacing filters into the case.

Add plastic caps to keep the system dry. Ensure lid is fitted tightly and secured.



the 1990s, the number of people in the UK who are aged 65 and over has increased from 10.5 million to 13.5 million (19.5% of the population).

There is a growing awareness of the need to address the needs of older people, and the Government has set out a strategy for the 21st century in the White Paper on *Ageing Better: A New Vision for Older People* (Department of Health, 1999). This sets out a vision of a society in which older people are able to live well, and to contribute to society. It also sets out a number of key objectives for the Government, including:

• to improve the health and well-being of older people, and to reduce the inequalities in health and well-being between different groups of older people;

• to ensure that older people are able to live in their own homes, and to continue to contribute to society;

• to ensure that older people are able to access the services and support that they need, and that these services and support are of high quality.

The White Paper also sets out a number of key actions for the Government, including:

• to improve the health and well-being of older people, and to reduce the inequalities in health and well-being between different groups of older people;

• to ensure that older people are able to live in their own homes, and to continue to contribute to society;

• to ensure that older people are able to access the services and support that they need, and that these services and support are of high quality.

The White Paper also sets out a number of key actions for the Government, including:

• to improve the health and well-being of older people, and to reduce the inequalities in health and well-being between different groups of older people;

• to ensure that older people are able to live in their own homes, and to continue to contribute to society;

• to ensure that older people are able to access the services and support that they need, and that these services and support are of high quality.

The White Paper also sets out a number of key actions for the Government, including:

• to improve the health and well-being of older people, and to reduce the inequalities in health and well-being between different groups of older people;

• to ensure that older people are able to live in their own homes, and to continue to contribute to society;

• to ensure that older people are able to access the services and support that they need, and that these services and support are of high quality.

The White Paper also sets out a number of key actions for the Government, including:

• to improve the health and well-being of older people, and to reduce the inequalities in health and well-being between different groups of older people;

• to ensure that older people are able to live in their own homes, and to continue to contribute to society;

• to ensure that older people are able to access the services and support that they need, and that these services and support are of high quality.

ADEY[®]

Telephone: +44 1242 546717 Email: info@adey.com

adey.com



Produced from recycled material
A carbon neutral company

For the most up-to-date version of installation and serving instructions visit www.adey.com

All ADEY marks are trademarks of Adey Holdings (2008) Limited. Please visit adey.com/trademarks for a list of ADEY marks
Copyright Adey Holdings (2008) Limited © 2019. All rights reserved.

M01935 LF2-01-04/20 V1