

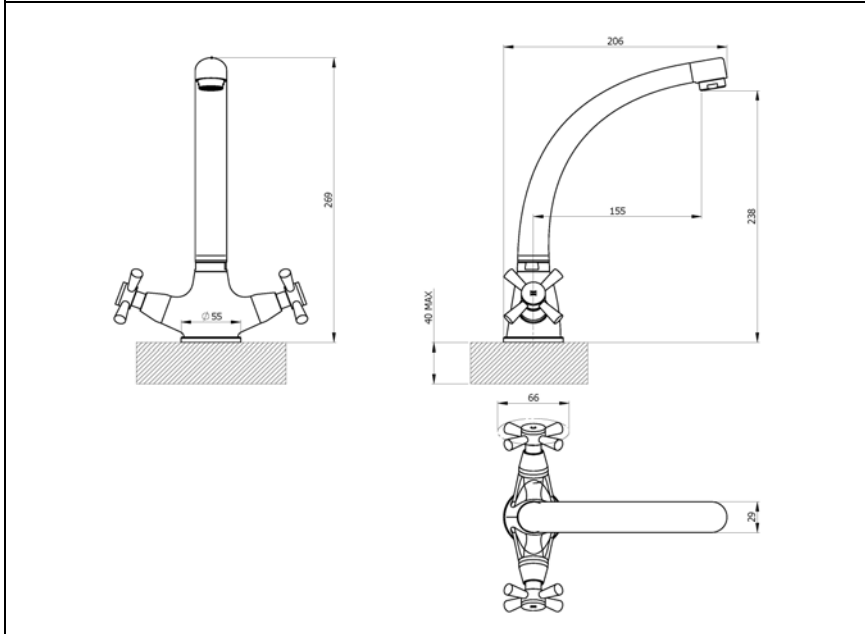


CONTEMPORARY

4M6003 – MONO KITCHEN MIXER

Mercia

BY COMAP



Specification	
Finish	Chrome
Body	Brass
Fittings	Metal plate, washer, stud & locking nut
Connection	M12 – DN8 flexible hoses with ½" BSP threaded ends
Min dynamic pressure	0.1
Max dynamic pressure	6
Max static pressure	16
Max water temperature	60°C

Flow rates				
Pressure	0.1	0.5	1	3
L/min	4.1	15.5	23.1	41.7

All Pressures are in Bar.
 Dimensions supplied are nominal and subject to tolerance.
 Inclusion of aerator (if supplied) or restrictors (sold separately unless stated) will affect flow rate result.
 Performance details are based on trials under test conditions and for guidance only.
 The Company reserves the right to change product specification without prior notice.

Features & Benefits

 Guarantee	 Low Pressure	 Flexible Hose	 Flow Straightener
 Flow Aerator	 Single Flow		

Certifications

Tested at 0.2 bar	