



Features:

- Allows water to divert from rigid riser to shower handset
- Includes 1.5m hose, handset, cradle and soap basket
- 19mm compression inlet and outlet connections
- Fits 19mm Riser Rails

Product Certifications:

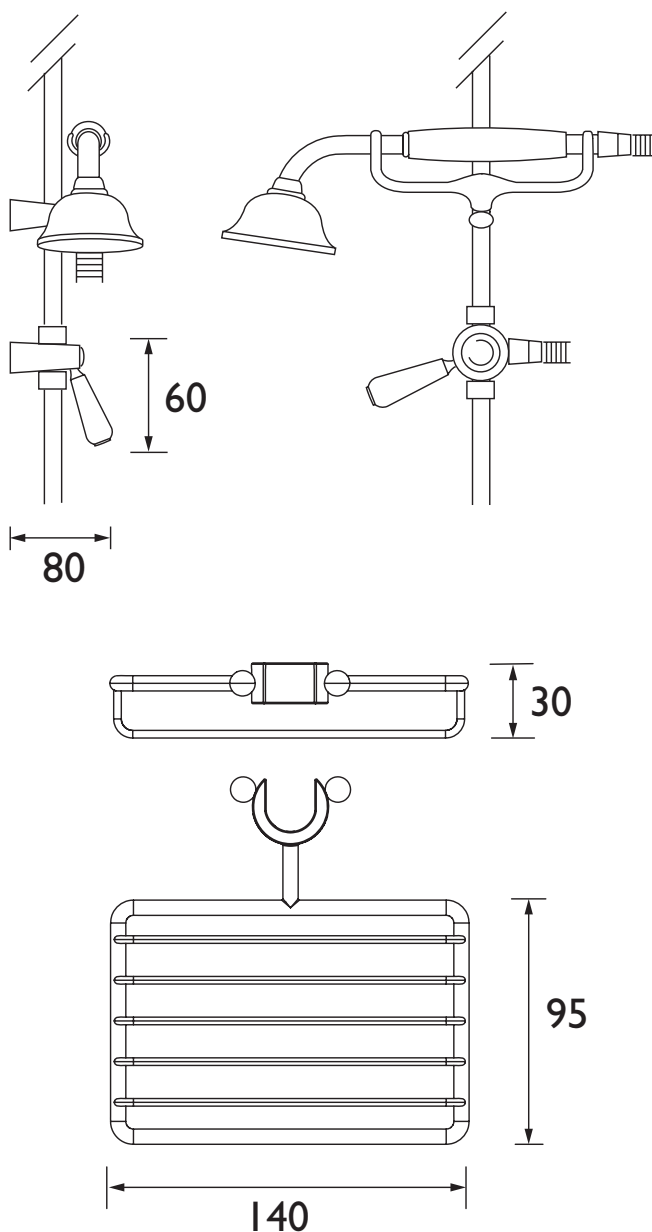
For more products, visit our website:
<http://www.bristan.com>



Specification

Main Construction Material:	Brass
Connection Inlet:	19mm Compression
Connection Outlet:	19mm Compression
Rub Clean Handset:	No

Dimensions (measurements in mm)



TECHNICAL DATA SHEET



BRISTAN

D2