

W BASIN16 C

Accessories Basin Clicker Waste Slotted Chrome



Features:

- Solid brass construction

Product Certifications:

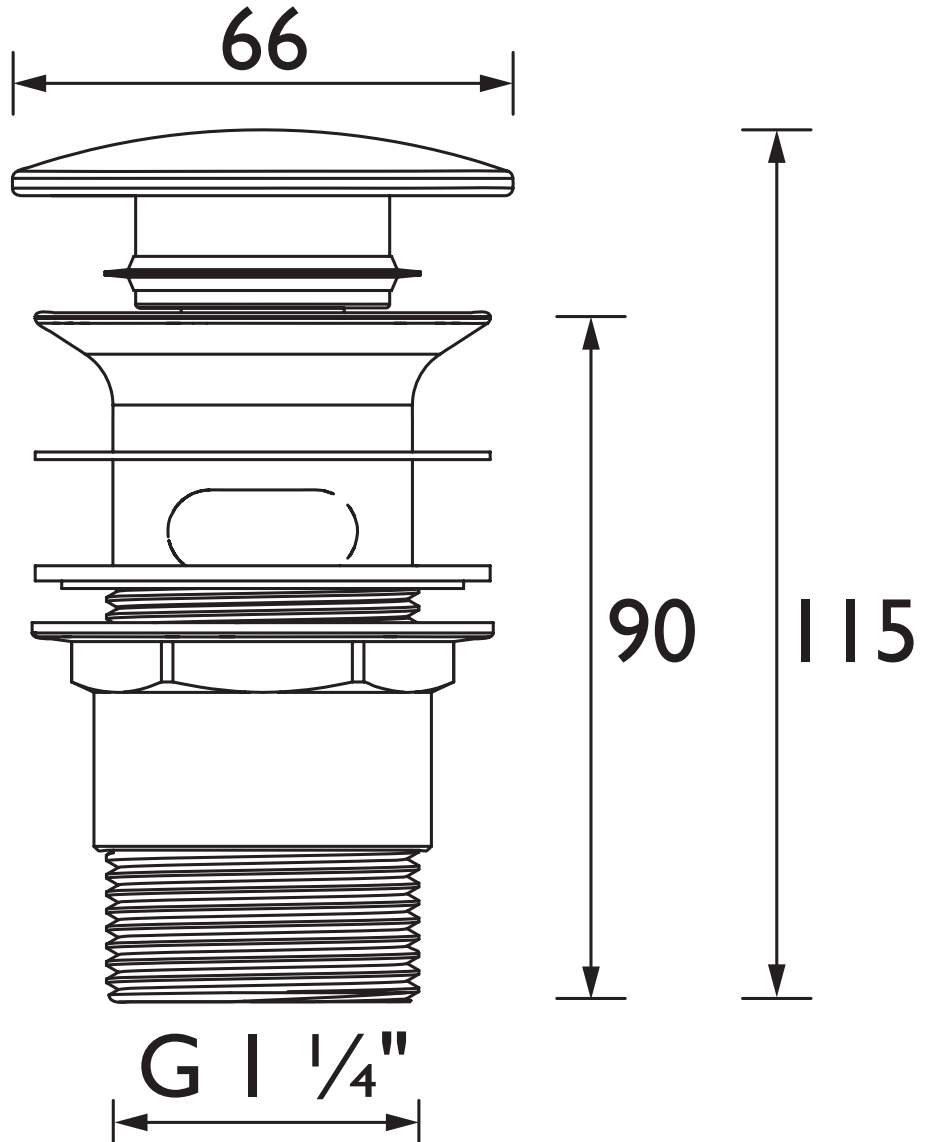
For more products, visit our website:
<http://www.bristan.com>



Specification

Main Construction Material:	Brass
Connection Inlet:	G 1 1/4"
Contemporary or Traditional:	Contemporary

Dimensions (measurements in mm)



TECHNICAL
DATA
SHEET



BRISTAN

D1