

---

# BRISTAN

---

Bath Clicker Waste Slotted Chrome

Installation Instructions & User Guide



IMPORTANT: Please keep these instructions for future reference and request of replacement parts

## Introduction

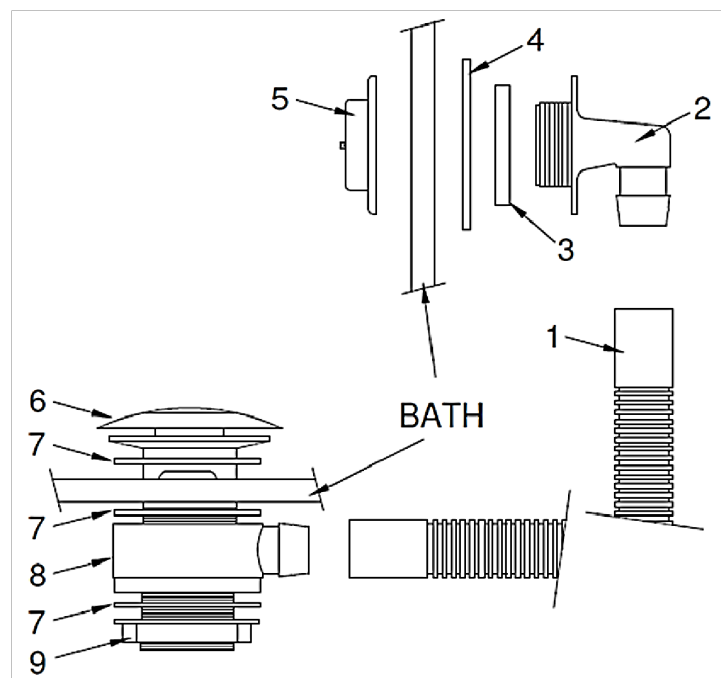
Thank you for choosing Bristan, the UK's leading taps and showers expert. We have designed this product with your enjoyment in mind. To ensure that it works to its full potential, it needs to be fitted correctly. These fitting instructions have been created to give you all of the information you need and, if you need any further help, please do not hesitate to give us a call on 0330 026 6273.

## Installation

1. Identify all components are present prior to installation.
2. Fit the waste body (6) and one of the rubber washers (7) into the bath.
3. Place a second rubber washer (7) under the bath above the banjo (8), and secure using the backnut (9).  
Make sure the remaining washer (7) is between the backnut and the banjo.
4. Fit the overflow outlet parts (2, 4 and 5) to the bath using spacer (3) depending on the thickness of the bath. Use a pure Silicon sealant where necessary.
5. Connect the overflow elbow (2) to the banjo fitting (8) using the flexible tube (1).
6. In order to fill the bath, the button in the middle of the waste needs to be pressed down. To release water, press button again.
7. Check all joints and connections for leaks.
8. See over the page for aftercare instructions.

## Components

- |                    |      |
|--------------------|------|
| 1. Flexible Tube   | (x1) |
| 2. Overflow Elbow  | (x1) |
| 3. Overflow Spacer | (x1) |
| 4. Rubber Washer   | (x1) |
| 5. Overflow Face   | (x1) |
| 6. Waste Body      | (x1) |
| 7. Rubber Washer   | (x1) |
| 8. Banjo           |      |
| 9. Backnut         |      |



# BRISTAN

## Cleaning & Maintenance

Your fitting has a high quality finish and should be treated with care to preserve the visible surfaces. All finishes will wear if not cleaned correctly. The only safe way to clean your product is to wipe with a soft damp cloth. Stains can be removed using washing up liquid. All bathroom cleaning product (powders and liquids) will damage the surface of your fitting, even the non-scratch cleaners.

NOTE:- Never use abrasive detergents or disinfectants or those containing alcohol, hydrochloric or phosphoric acid.

At Bristan, we want to make things as easy as possible for our customers. That's why we offer solid guarantees on all our products, effective from the date of purchase, to give you peace of mind. To start your free guarantee, simply scan the QR code and register your product. Alternatively, visit [www.bristan.com/register](http://www.bristan.com/register) to register your product via a computer. For full guarantee terms and conditions visit, [www.bristan.com/guarantees](http://www.bristan.com/guarantees)



*We Know & We Care*

---

# BRISTAN

---

This booklet covers product codes  
W BATH12 C - Chrome

Helpline  
0330 026 6273

Bristan Group Limited  
Birch Coppice Business Park, Dordon, Tamworth, Staffordshire  
B78 1SG

A Masco Company  
Website: [www.bristan.com](http://www.bristan.com)  
Telephone: 0330 026 6273  
Email: [enquire@bristan.com](mailto:enquire@bristan.com)