

AR2 SHXVOFF C

ARTISAN Shower Range Artisan Thermostatic Surface Mounted Bar Shower Valve & Fast Fit Connections



Features:

- Supplied with our wallmount 12 fixing kit. The simplest solution for installing, maintaining and replacing bar showers, using built in front-of-wall isolation valves
- Thermostatic cartridge with preset temperature stop at 38°C, can be over-ridden to a maximum of 46°C
- Flow control handle incorporates an eco button to save water, this can be overridden by the user
- 15mm inlet connections
- TMV2 thermostatic control for a higher level of performance and protection

Product Certifications:



WRAS Certificate No: 2005902
WRAS Expiry Date: 31/05/2025



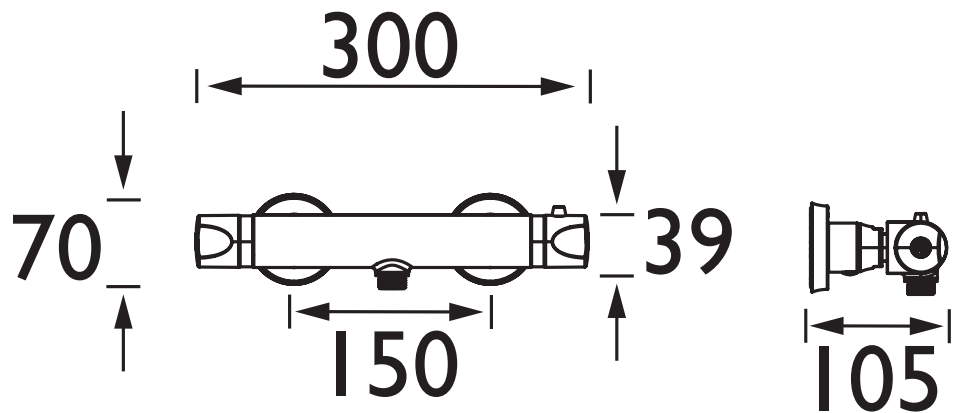
TMV2 Certificate No:
NSF2262/0720
TMV2 Expiry Date: 16/07/2025

For more products, visit our website:
<http://www.bristan.com>

Specification

Finish/Colour:	Chrome
Main Construction Material:	Brass
No of Controls:	2
Shower Type:	Bar Shower
Valve/Cartridge Type:	Thermostatic Cartridge
Maximum Hot Water Supply Temperature °C:	60
Maximum Static Pressure: (bar)	10
Plumbing System Suitability:	Suitable for all plumbing systems
Minimum Dynamic Pressure:	0.2 Bar
Maximum Dynamic Pressure:	5.0 Bar
Connection Inlet:	15mm Compression
Connection Outlet:	G1/2"
Isolation Valve Included:	Yes
Check Valve Included:	Yes

Dimensions (measurements in mm)



Flow Rates (l/min)

System Pressure (bar)	0.2	0.5	1	2	3	5
Without Flow Regulators	5.7	10.5	15.3	22.3	27.3	35.5
With Flow Regulators	2.2	9.3	12.4	13.5	14.6	15

TECHNICAL
DATA
SHEET



BRISTAN

D11