

# CAP EBAS C

## CAPRI Tap Range Capri Eco Basin Mixer with Pop-up Waste Chrome



### Features:

- Long life ceramic cartridge for added durability and ease of use
- Metal fixing nut for added durability
- Flexible tails included
- Pop-up waste included
- Supplied with 3.5 litre per minute flow limiting aerator to reduce water consumption and increase water efficiency

### Product Certifications:



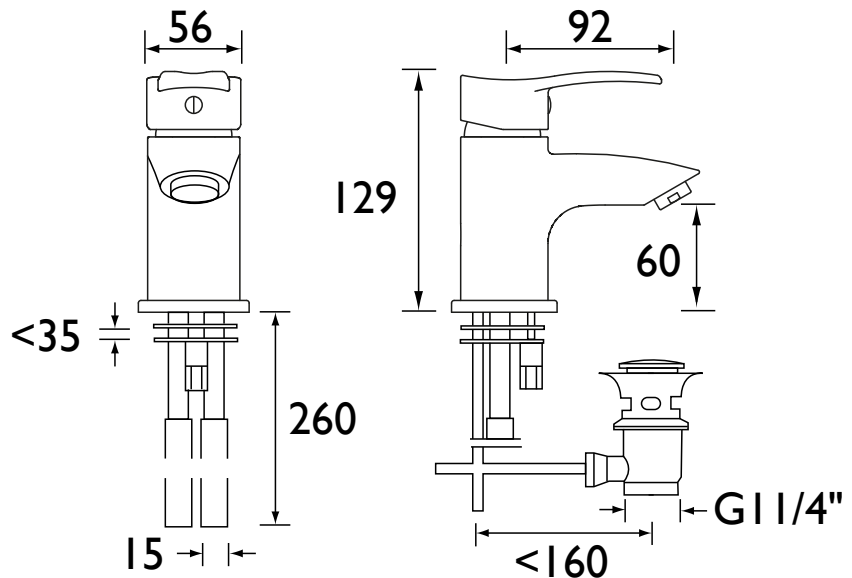
For more products, visit our website:  
<http://www.bristan.com>



### Specification

|  |                                     |
|--|-------------------------------------|
| <b>Product Type:</b>                     | Bathroom Tap                        |
| <b>Main Construction Material:</b>       | Brass                               |
| <b>Mount Type:</b>                       | Deck                                |
| <b>Handle Type:</b>                      | Lever                               |
| <b>Connection Inlet:</b>                 | M1 x 15mm flexible connection pipes |
| <b>Connection Outlet:</b>                | 3.5l/min Flow Limiting M24 Aerator  |
| <b>Number of Tap Holes:</b>              | 1                                   |
| <b>Valve/Cartridge Type:</b>             | 35mm Single Lever Cartridge         |
| <b>Plumbing System Requirements:</b>     | Suitable for all plumbing systems   |
| <b>Minimum Dynamic Pressure (bar):</b>   | 0.5 bar                             |
| <b>Maximum Dynamic Pressure (bar):</b>   | 5.0 bar                             |
| <b>Maximum Hot Water Temperature °C:</b> | 65°C                                |
| <b>Maximum Static Pressure (bar):</b>    | 10 bar                              |
| <b>Flow Type:</b>                        | Single                              |
| <b>Isolation Included:</b>               | N                                   |

### Dimensions (measurements in mm)



### Flow Rates (l/min)

| System Pressure (bar) | 0.5 | 0.5 | 1   | 2   | 3   | 5   |
|-----------------------|-----|-----|-----|-----|-----|-----|
| CAP EBAS C (mixed)    | 3.5 | 3.5 | 3.5 | 3.5 | 3.5 | 3.5 |

## TECHNICAL DATA SHEET



# BRISTAN

D8