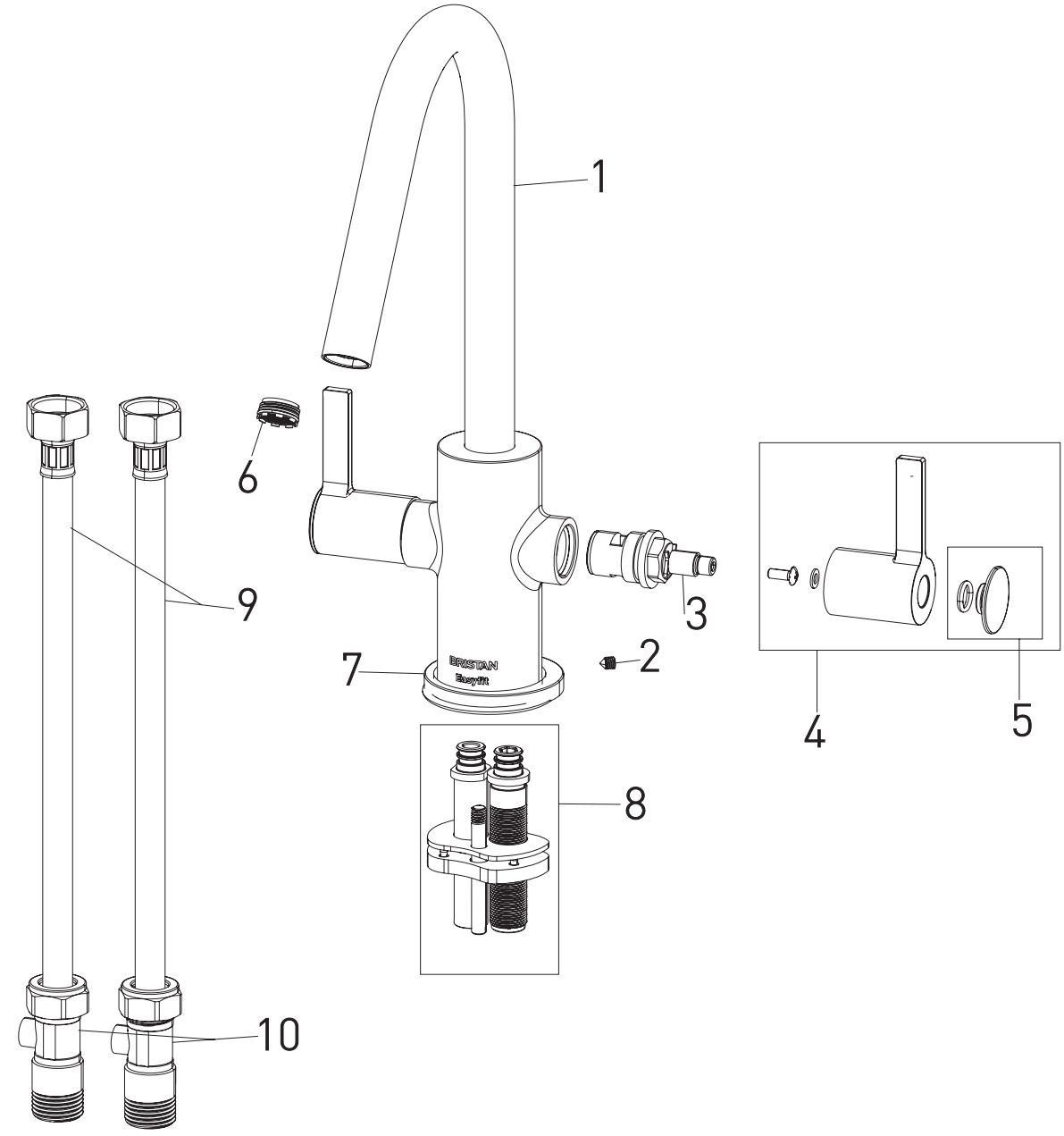


**Product Code:** CSH EFSNK C  
**Revision:** D3



|    |                   |
|----|-------------------|
| 1  | Spout Assembly    |
| 2  | Grub Screw        |
| 3  | Valve             |
| 4  | Handle Assembly   |
| 5  | Indice and Washer |
| 6  | Flow Straightener |
| 7  | Plinth            |
| 8  | EasyFit Base      |
| 9  | Flexible Tails    |
| 10 | Isolation Valve   |