

DUL DSM C

DU LEVER Tap Range Design Utility Lever Deck Sink Mixer Chrome



Features:

- Long life and easy to use 1/4 turn ceramic disc valves
- Metal back nuts for added durability

Product Certifications:



WRAS Certificate No: 1906900
WRAS Expiry Date: 30/06/2024



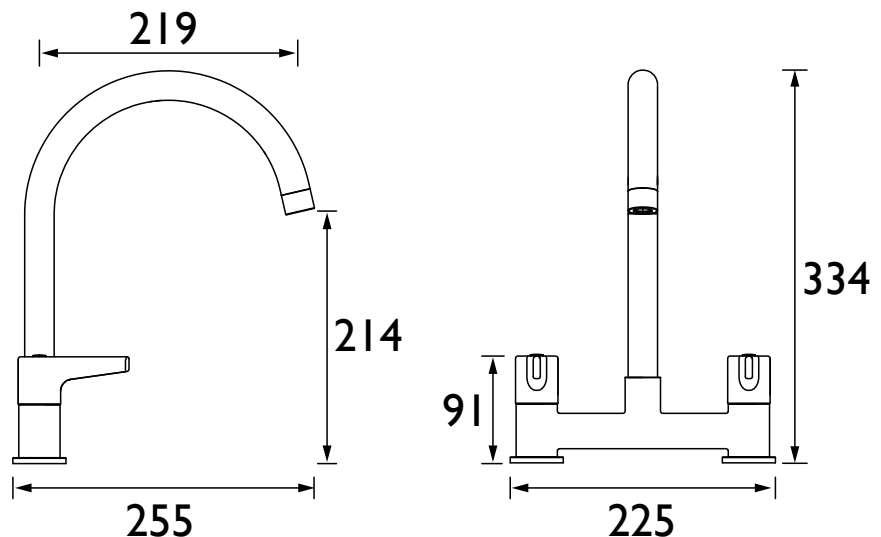
For more products, visit our website:
<http://www.bristan.com>



Specification

| | |
|-----------------------------------|------------------------------------|
| Product Type: | Kitchen Taps |
| Main Construction Material: | Brass |
| Mount Type: | Deck |
| Handle Type: | Lever |
| Connection Inlet: | 1/2" BSP |
| Connection Outlet: | M22 Flow Straightener |
| Number of Tap Holes: | 2 |
| Valve/Cartridge Type: | 1/2" Ceramic Disc Valve - 1/4 turn |
| Plumbing System Requirements: | Suitable for all plumbing systems |
| Minimum Dynamic Pressure (bar): | 0.2 bar |
| Maximum Dynamic Pressure (bar): | 5 bar |
| Maximum Hot Water Temperature °C: | 65°C |
| Maximum Static Pressure (bar): | 10 bar |
| Flow Type: | Single |
| Isolation Included: | No |

Dimensions (measurements in mm)



Flow Rates (l/min)

| System Pressure (bar) | 0.2 | 0.5 | 1 | 2 | 3 | 5 |
|-----------------------|------|------|------|------|----|------|
| DUL DSM C (mixed) | 14.7 | 23.3 | 32.9 | 46.5 | 57 | 73.6 |

TECHNICAL DATA SHEET



BRISTAN

D7