

DX BSM C

DECADE BRI Tap Range Decade Bath Shower Mixer Chrome



Features:

- Long life and easy to use 1/4 turn ceramic disc valves
- Metal back nuts for added durability

Product Certifications:



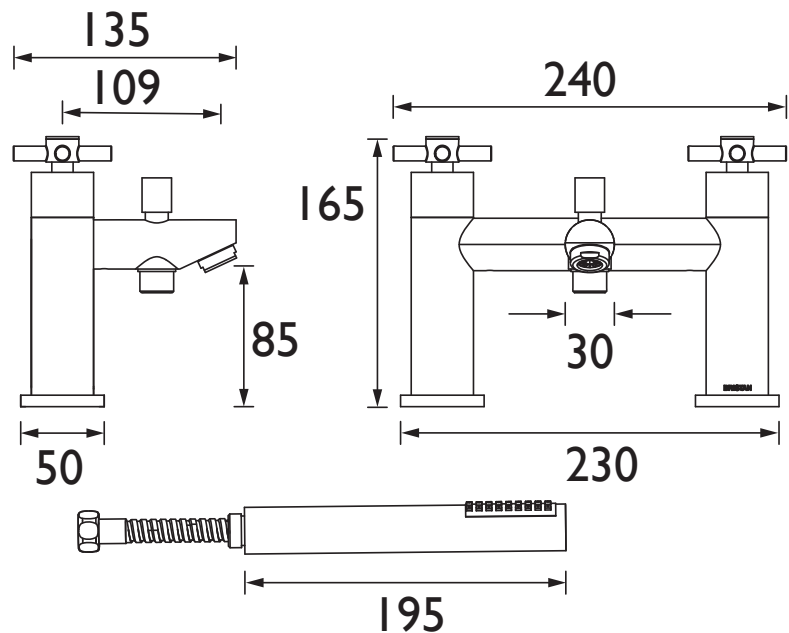
For more products, visit our website:
<http://www.bristan.com>



Specification

Product Type:	Bathroom Tap
Main Construction Material:	Brass
Mount Type:	Deck Mounted
Handle Type:	Crosshead Handles
Connection Inlet:	3/4" BSP
Connection Outlet:	M24 Flow Straightener
Number of Tap Holes:	2
Valve/Cartridge Type:	1/4 Turn 3/4" Ceramic Disc Valve
Plumbing System Requirements:	Suitable for all plumbing systems
Minimum Dynamic Pressure (bar):	0.2 bar
Maximum Dynamic Pressure (bar):	5.0 bar
Maximum Hot Water Temperature °C:	65°C
Maximum Static Pressure (bar):	10 bar
Flow Type:	Single Flow
Isolation Included:	No

Dimensions (measurements in mm)



Flow Rates (l/min)

System Pressure (bar)	0.2	0.5	1	2	3	5
Through Bath Filler (mixed)	16.1	25.5	36.1	51	62.5	80.7
Through Handset (mixed)	4	6.3	8.9	12.6	15.4	19.9

TECHNICAL DATA SHEET



BRISTAN

D4