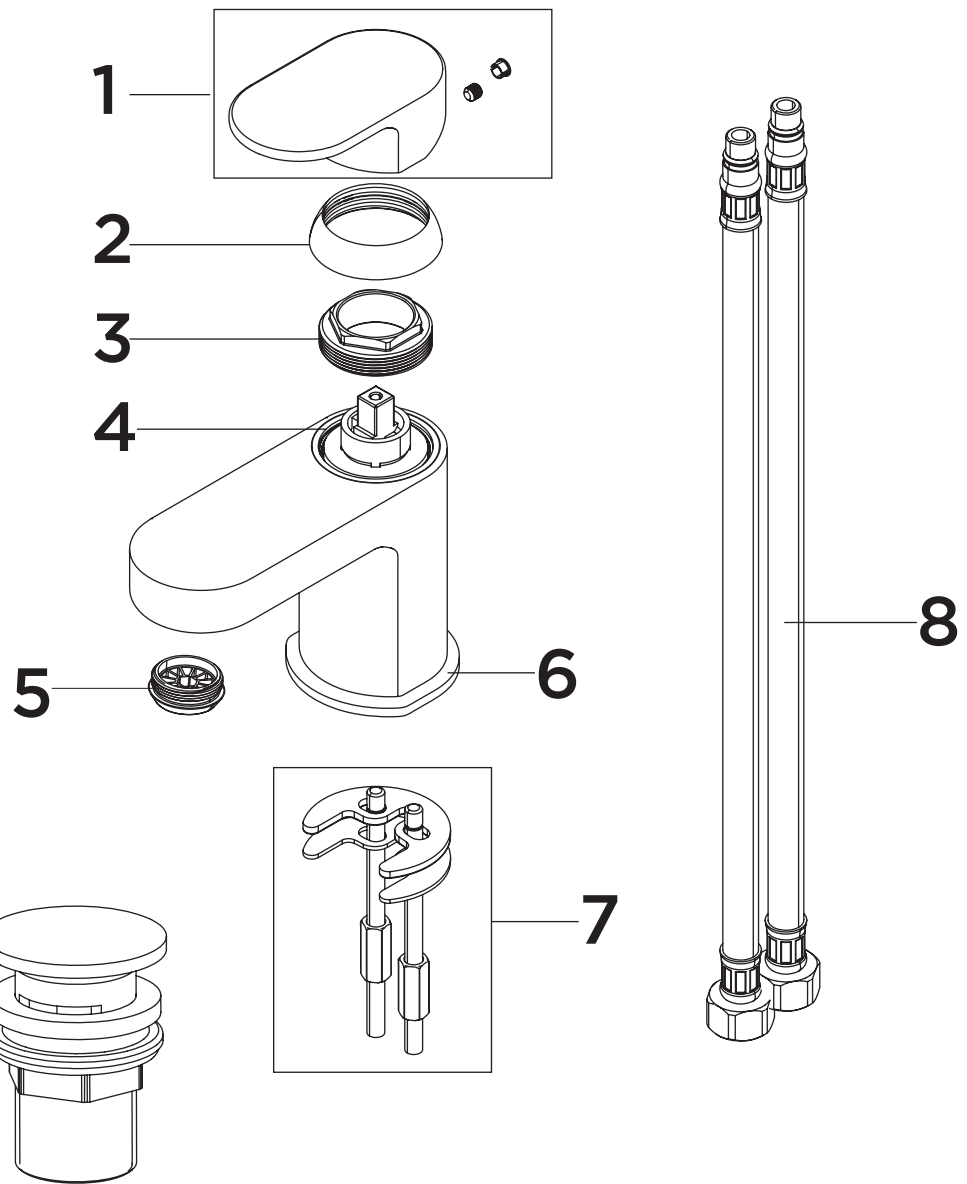


**Product Code:** FRZ BAS C

**Revision:** D2



1	Handle Assembly
2	Shroud
3	Cartridge Lock Nut
4	35mm Flat Cartridge
5	Anti- Splash Assembly
6	Plinth
7	Fixing Kit
8	M10 x 500mm 1/2 BSP Flexi Tails
9	Round Clicker Basin Waste