

# GLL FLEXSNK C

## GALLERY Tap Range

Gallery Flex Sink Mixer  
Grey & Chrome



### Specification

Product Type:	Kitchen Taps
Main Construction Material:	Brass
Mount Type:	Deck
Handle Type:	Lever
Connection Inlet:	1/2" BSP Flexible Tails
Connection Outlet:	Spray Handset
Number of Tap Holes:	1
Valve/Cartridge Type:	35mm Single Lever Cartridge
Plumbing System Requirements:	Suitable for high pressure systems
Minimum Dynamic Pressure (bar):	2 bar
Maximum Dynamic Pressure (bar):	5 bar
Maximum Hot Water Temperature °C:	65°C
Maximum Static Pressure (bar):	10 bar
Flow Type:	Single
Isolation Included:	No

### Features:

- Featuring a fully flexible spout with 'Stayflex' technology, the Gallery Flex can literally be bent into any shape that you require and it stays there
- Long life ceramic cartridge for added durability and ease of use
- Metal fixing nut for added durability
- Minimum working pressure of 2.0 bar
- Flexible tails included

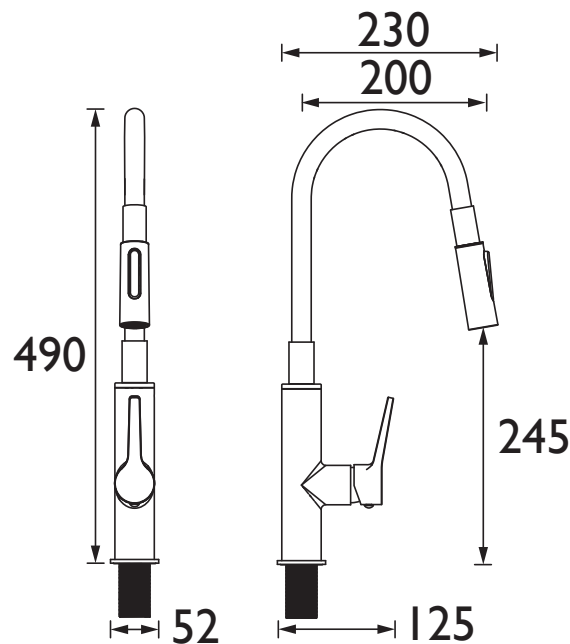
### Product Certifications:



For more products, visit our website:  
<http://www.bristan.com>



### Dimensions (measurements in mm)



### Flow Rates (l/min)

System Pressure (bar)	2	3	4	5
GLL FLEXSNK C (mixed)	8.7	10.6	12.2	13.7

TECHNICAL  
DATA  
SHEET



# BRISTAN

D2