

GLL RAPSNK3 C

GALLERY Tap Range Gallery Rapid Boiling 3in1 Sink Mixer Chrome



Features:

- Everything you need: Tap, tails, tank, pressure reducing valve and filter included
- Safety: Handle requires button to be pushed before turning to dispense boiling water
- Safe to touch spout: Boiling water is stored in the tank not in the tap reducing the risk of scalding
- Quality: Hard wearing, flawless finish that lasts
- Perfect taste: Supplied in-line filter cartridge to minimise limescale and prolong the life of your tank, as well as absorbing chlorine and other chemicals to give you the perfect tasting tea or coffee

Product Certifications:



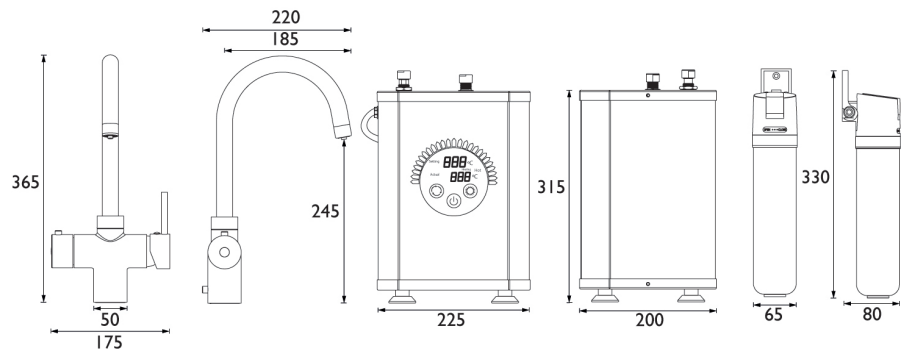
For more products, visit our website:
<http://www.bristan.com>



Specification

Product Type:	Kitchen Taps
Main Construction Material:	Brass; ABS
Mount Type:	Deck
Handle Type:	1 Lever Handle, 1 Spring-back Handle
Connection Inlet:	1/2" BSP Flexible Tails
Number of Tap Holes:	1
Tank Capacity:	2.4 litres
Temperature Settings:	7 Settings; Min: 75°C Max: 98°C
Plumbing System Requirements:	Suitable for high pressure systems
Minimum Dynamic Pressure (bar):	1.5 bar
Maximum Dynamic Pressure (bar):	3 bar
Maximum Hot Water Temperature °C:	65°C
Maximum Static Pressure: (bar)	3
Flow Type:	Dual
Isolation Included:	No
Power Rating:	1.4-1.5 kW
Electrical Supply Requirements:	230-240V AC, 50 Hz, IPX4 Protection

Dimensions (measurements in mm)



Flow Rates (l/min)

System Pressure (bar)	1.5	2	3
GLL RAPSNK3 C (Mixed)	6.8	7.8	9.6
GLL RAPSNK3 C (Boiling Water)	2	2	2

TECHNICAL DATA SHEET



BRISTAN

TAPS & SHOWERS D3