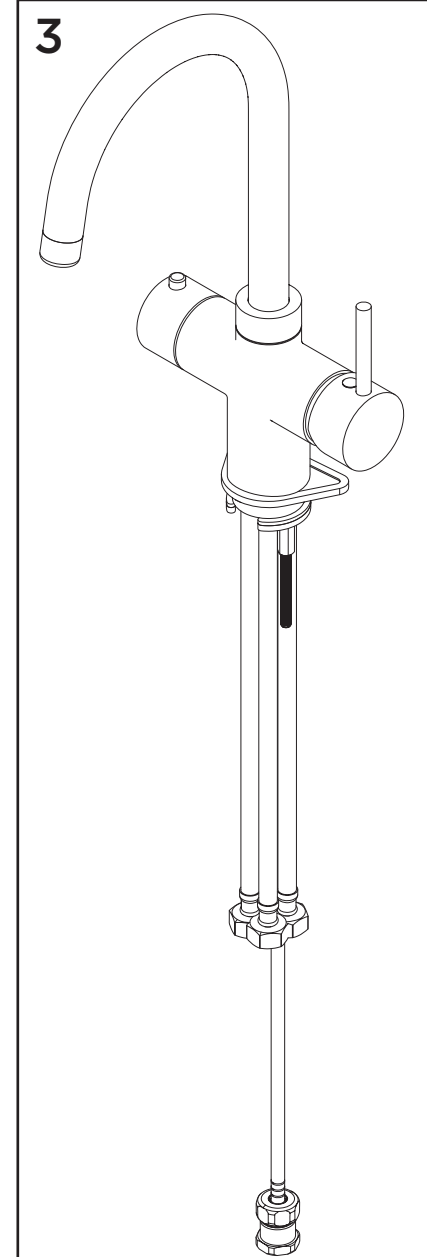
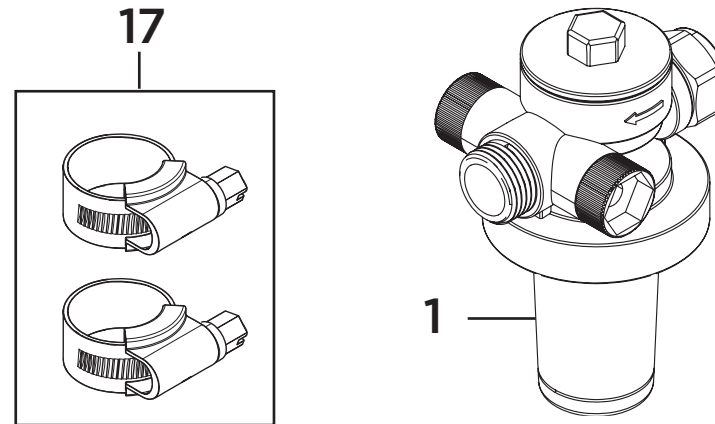
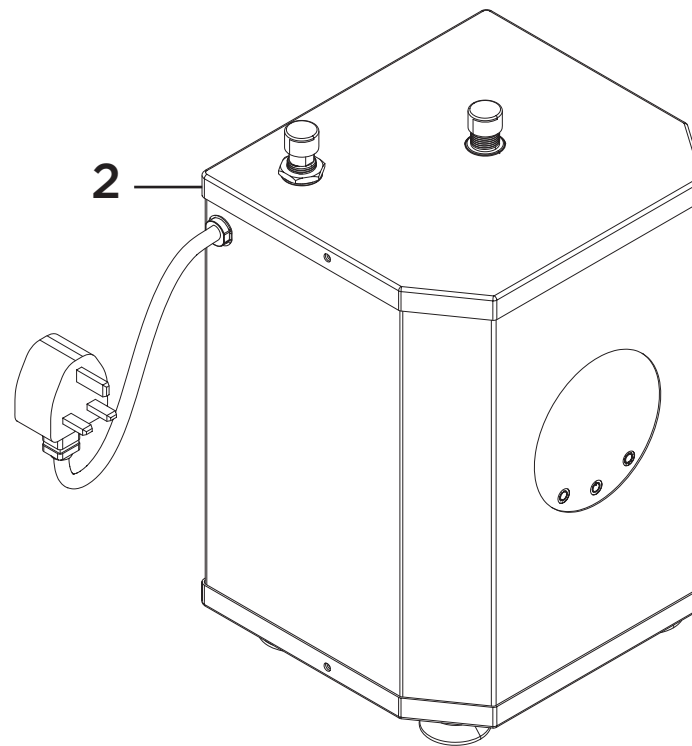


Product Code: GLL RAPSNK3 C

Revision: D2



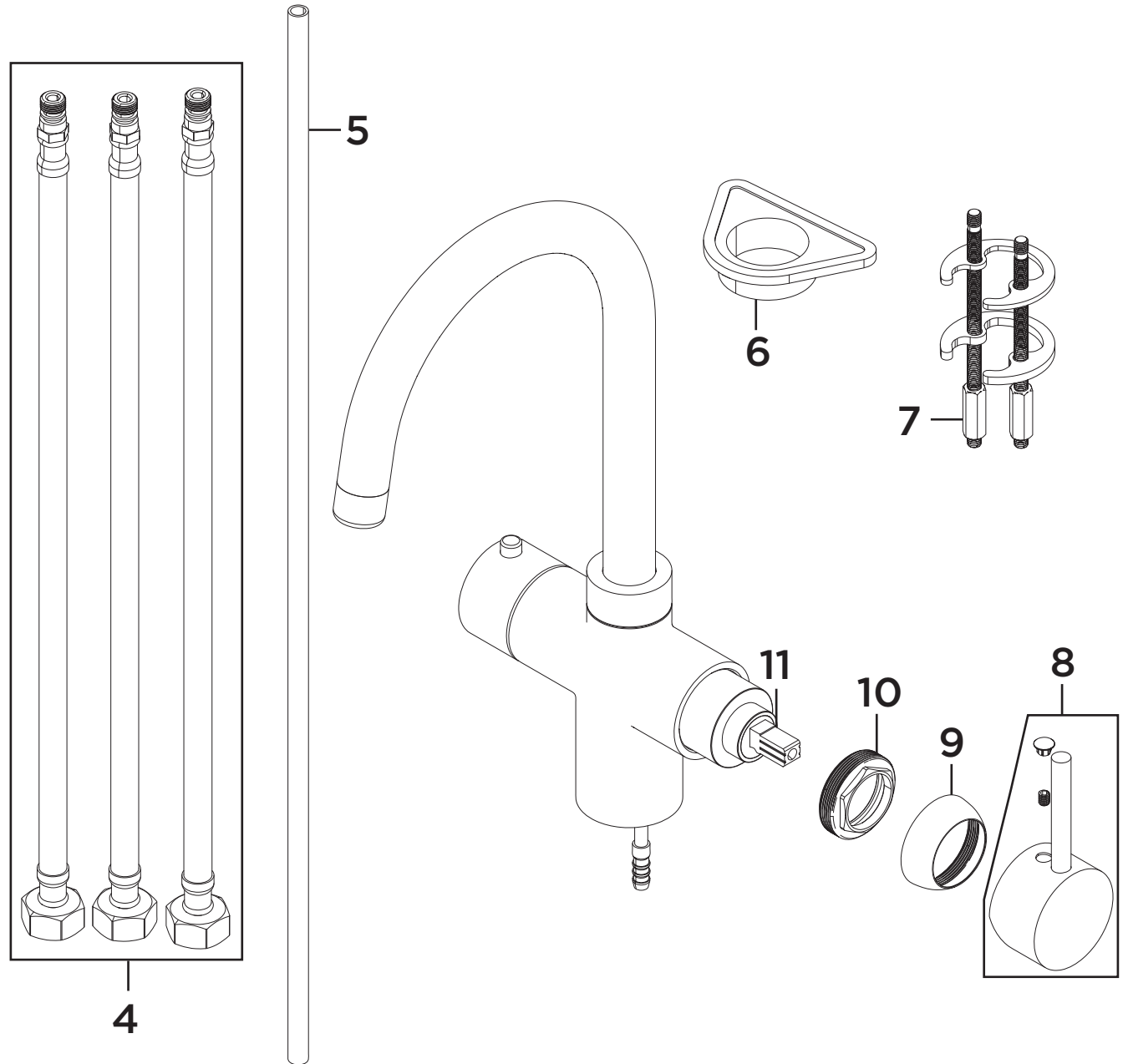
1	Pressure Reducing Valve
2	3-in-1 Boiling Water Tank
3	3-in-1 Boiling Water Tap
4	1/2" BSP Flexible Tails (3pk)
5	1m Silicon Hose
6	Reinforcing Plate
7	Fixing Kit
8	H&C Handle Assembly
9	Shroud
10	Cartridge Retaining Nut
11	40mm Cartridge
12	Boiling Water Connection Shroud
13	Filter Kit
14	Filter Bracket Assembly
15	Filter Connection Pack
16	Replacement Filter Cartridge
17	Hose Clamps (Pair)



Product Code: GLL RAPSNK3 C

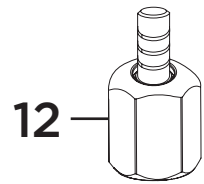
Revision: D2

1	Pressure Reducing Valve
2	3-in-1 Boiling Water Tank
3	3-in-1 Boiling Water Tap
4	1/2" BSP Flexible Tails (3pk)
5	1m Silicon Hose
6	Reinforcing Plate
7	Fixing Kit
8	H&C Handle Assembly
9	Shroud
10	Cartridge Retaining Nut
11	40mm Cartridge
12	Boiling Water Connection Shroud
13	Filter Kit
14	Filter Bracket Assembly
15	Filter Connection Pack
16	Replacement Filter Cartridge
17	Hose Clamps (Pair)

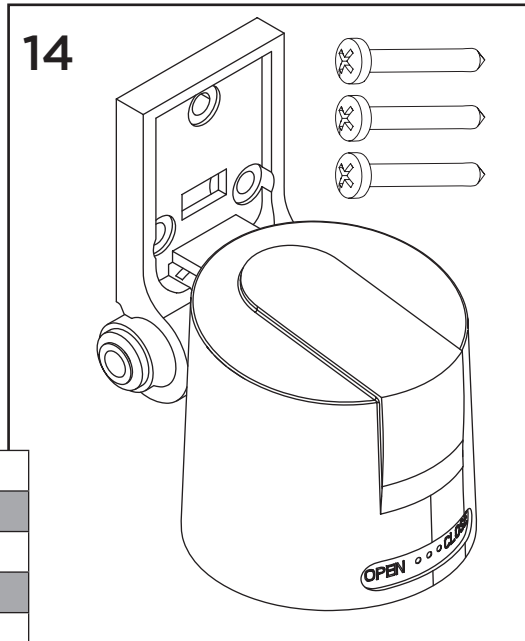


Product Code: GLL RAPSNK3 C

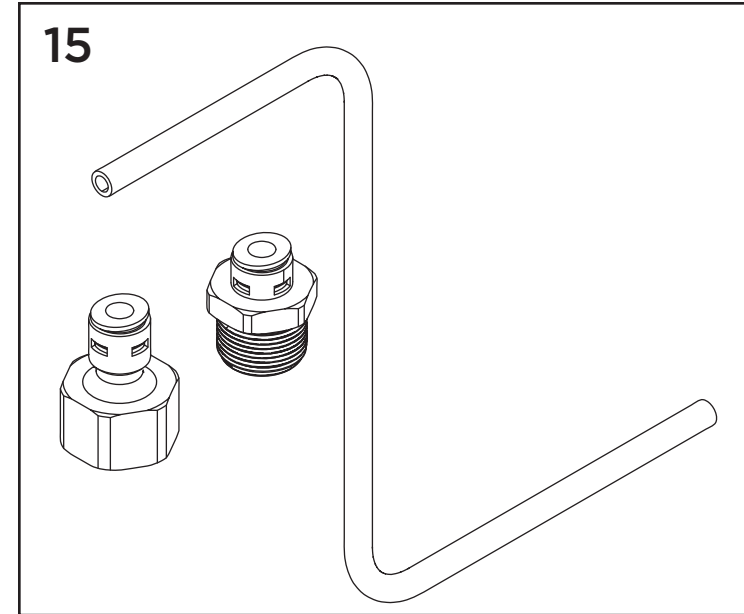
Revision: D2



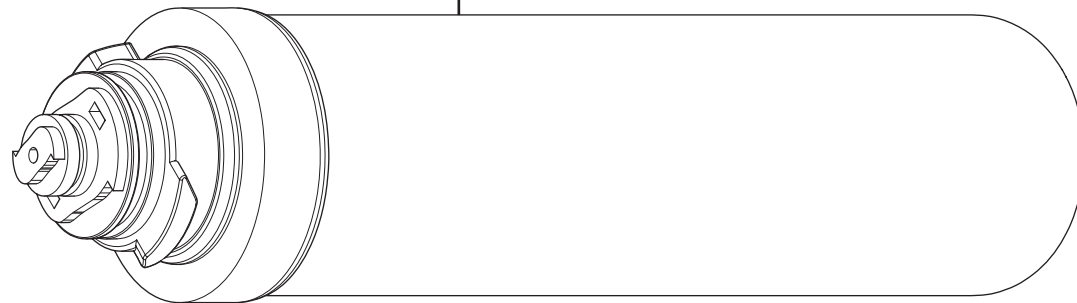
13



15



16



1	Pressure Reducing Valve
2	3-in-1 Boiling Water Tank
3	3-in-1 Boiling Water Tap
4	1/2" BSP Flexible Tails (3pk)
5	1m Silicon Hose
6	Reinforcing Plate
7	Fixing Kit
8	H&C Handle Assembly
9	Shroud
10	Cartridge Retaining Nut
11	40mm Cartridge
12	Boiling Water Connection Shroud
13	Filter Kit
14	Filter Bracket Assembly
15	Filter Connection Pack
16	Replacement Filter Cartridge
17	Hose Clamps (Pair)