

J BF C

JAVA Tap Range Java 2 Handle Bath Filler Chrome



Specification

Product Type:	Bathroom Taps
Main Construction Material:	Brass
Mount Type:	Deck
Handle Type:	Lever
Connection Inlet:	3/4" BSP
Connection Outlet:	M28 Flow Straightener
Number of Tap Holes:	2
Valve/Cartridge Type:	1/4 turn 3/4" Ceramic Disc Valves
Plumbing System Requirements:	Suitable for all plumbing systems, ideally balanced
Minimum Dynamic Pressure (bar):	0.3
Maximum Dynamic Pressure (bar):	5
Maximum Hot Water Temperature °C:	65°C
Maximum Static Pressure (bar):	10
Flow Type:	Single
Isolation Included:	No

Features:

- Long life ceramic cartridge for added durability and ease of use
- Metal fixing nut for added durability
- Minimum working pressure of 0.3 bar
- Metal fixing nut for added durability

Product Certifications:



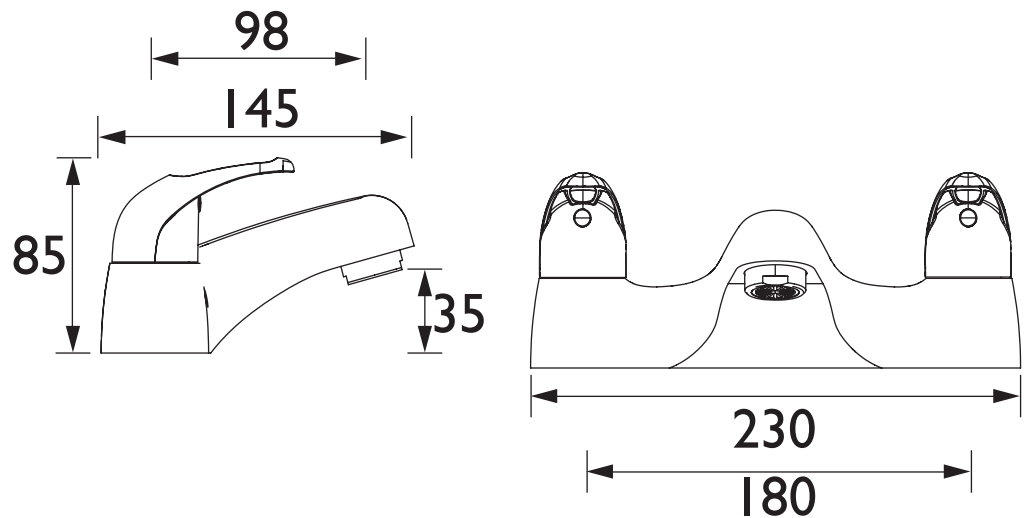
WRAS Certificate No: 1609012
WRAS Expiry Date: 30/09/2021



For more products, visit our website:
<http://www.bristan.com>



Dimensions (measurements in mm)



Flow Rates (l/min)

System Pressure (bar)	0.3	0.5	1	2	3	5
J BF C (mixed)	22.1	39.7	57.5	82.3	100.8	130.2

TECHNICAL DATA SHEET



BRISTAN

D9