



Features:

- Long life ceramic cartridge for added durability and ease of use
- Metal fixing nut for added durability
- Includes 1.75m hose, rub-clean anti-limescale handset and wall bracket
- Minimum working pressure of 1.0 bar
- Single-function rub-clean anti-limescale handset and wall bracket

Product Certifications:



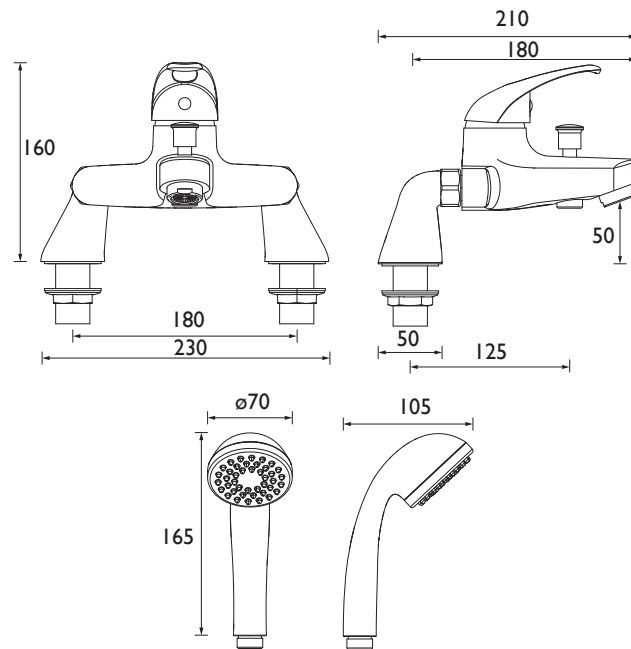
For more products, visit our website:
<http://www.bristan.com>



Specification

| | |
|--|---|
| Product Type: | Bathroom Taps |
| Main Construction Material: | Brass |
| Mount Type: | Deck |
| Handle Type: | Lever |
| Connection Inlet: | 3/4" BSP |
| Connection Outlet: | M22 Flow Straightener |
| Number of Tap Holes: | 2 |
| Valve/Cartridge Type: | 40mm Cartridge |
| Plumbing System Requirements: | Suitable for all plumbing systems, ideally balanced |
| Minimum Dynamic Pressure (bar): | 1.0 bar |
| Maximum Dynamic Pressure (bar): | 5 bar |
| Maximum Hot Water Temperature °C: | 60°C |
| Maximum Static Pressure (bar): | 10 bar |
| Flow Type: | Single |
| Isolation Included: | No |

Dimensions (measurements in mm)



Flow Rates (l/min)

| System Pressure (bar) | 1 | 2 | 3 | 5 |
|-----------------------------|-----|------|------|------|
| Through Bath Filler (mixed) | 16 | 22.6 | 27.7 | 35.8 |
| Through Handset (mixed) | 9.8 | 13.8 | 16.9 | 21.8 |

TECHNICAL DATA SHEET



BRISTAN