

K BRSNK ABRZ

COLONIAL Tap Range Colonial Bridge Sink Mixer Antique Bronze



Features:

- Supplied with two single check valves

Product Certifications:



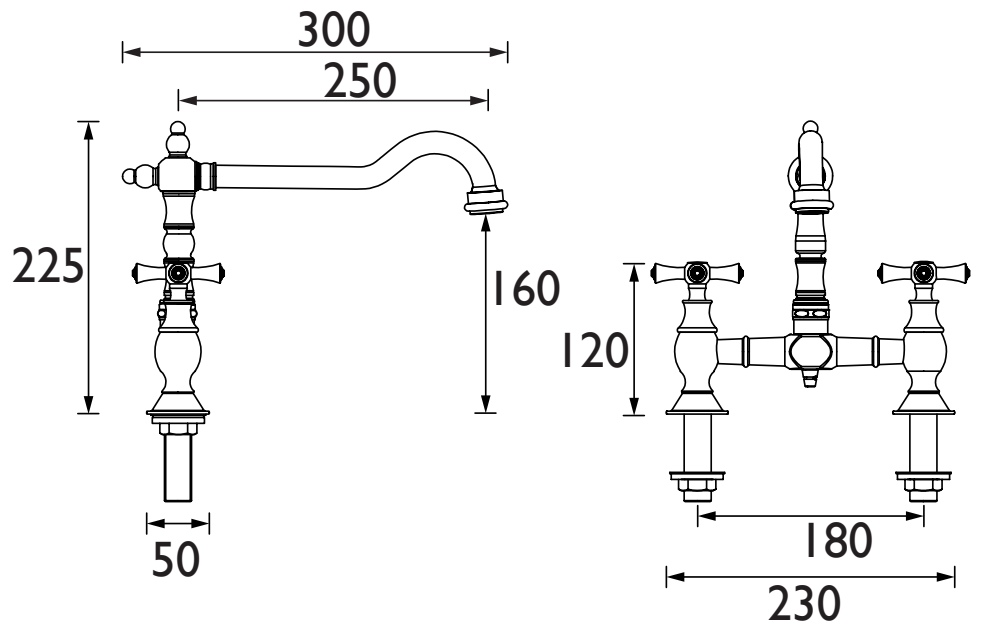
For more products, visit our website:
<http://www.bristan.com>



Specification

Product Type:	Kitchen Taps
Main Construction Material:	Brass
Mount Type:	Deck Mounted
Handle Type:	Crosshead
Connection Inlet:	1/2" BSP
Connection Outlet:	M24 Flow Straightener
Number of Tap Holes:	2
Valve/Cartridge Type:	1/2" Compression Valves
Plumbing System Requirements:	Suitable for all plumbing systems
Minimum Dynamic Pressure (bar):	0.2 bar
Maximum Dynamic Pressure (bar):	5.0 bar
Maximum Hot Water Temperature °C:	65°C
Maximum Static Pressure (bar):	10 bar
Flow Type:	Single
Isolation Included:	No

Dimensions (measurements in mm)



Flow Rates (l/min)

System Pressure (bar)	0.2	0.5	1	2	3	5
K BRSNK ABRZ (mixed)	15.7	24.8	35.1	49.6	60.8	78.5

TECHNICAL DATA SHEET



BRISTAN

D11