

N 1/2 C CD

1901 Tap Range 1901 Basin Taps with Ceramic Disc Valves Chrome



Features:

- Long life and easy to use 1/4 turn ceramic disc valves
- Metal handles
- Metal back nuts for added durability
- Chrome plated to BS EN 248

Product Certifications:



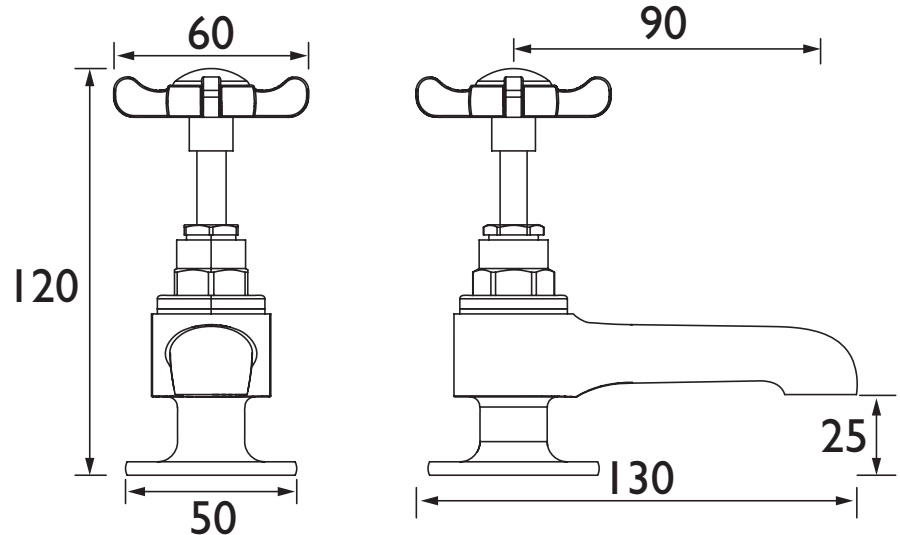
For more products, visit our website:
<http://www.bristan.com>



Specification

| | |
|--|-----------------------------------|
| Product Type: | Bathroom Taps |
| Main Construction Material: | Brass |
| Mount Type: | Deck Mounted |
| Handle Type: | Crosshead Handles |
| Connection Inlet: | 1/2" BSP |
| Connection Outlet: | Open |
| Number of Tap Holes: | 2 |
| Valve/Cartridge Type: | 1/2" Ceramic Disc Valve |
| Plumbing System Requirements: | Suitable for all plumbing systems |
| Minimum Dynamic Pressure (bar): | 0.2 bar |
| Maximum Dynamic Pressure (bar): | 5.0 bar |
| Maximum Hot Water Temperature °C: | 65°C |
| Maximum Static Pressure (bar): | 10 bar |
| Flow Type: | Single Flow |
| Isolation Included: | No |

Dimensions (measurements in mm)



Flow Rates (l/min)

| System Pressure (bar) | 0.2 | 0.5 | 1 | 2 | 3 | 5 |
|-----------------------|------|-----|------|------|------|------|
| N 1/2 C CD (mixed) | 17.7 | 28 | 39.7 | 56.1 | 68.8 | 88.8 |

TECHNICAL DATA SHEET



BRISTAN

D4