

N 3/4 C CD

1901 Tap Range 1901 Bath Taps with Ceramic Disc Valves Chrome



Features:

- Long life and easy to use 1/4 turn ceramic disc valves
- Metal handles
- Metal back nuts for added durability
- Chrome plated to BS EN 248

Product Certifications:

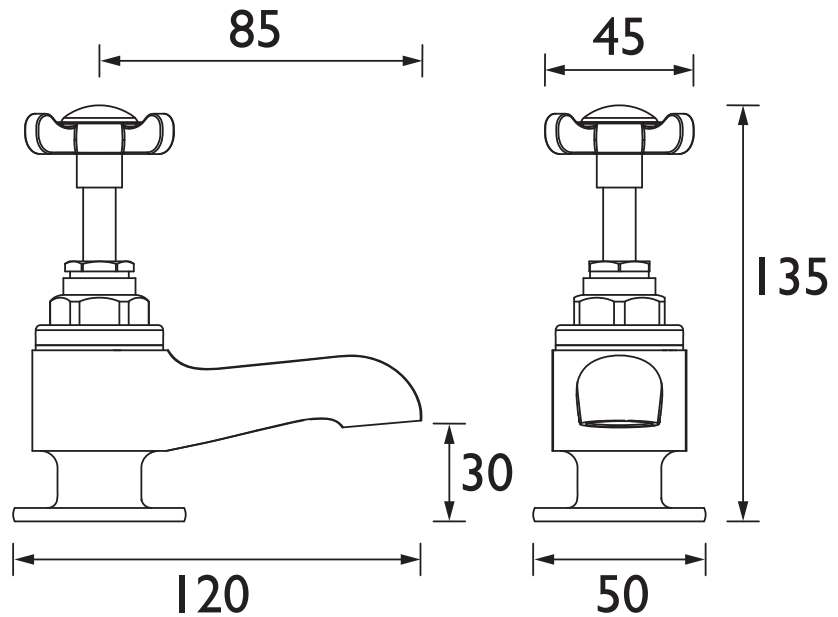
For more products, visit our website:
<http://www.bristan.com>



Specification

| | |
|--|------------------------------------|
| Product Type: | Bathroom Taps |
| Main Construction Material: | Brass |
| Mount Type: | Deck |
| Handle Type: | Crosshead |
| Connection Inlet: | 3/4" BSP |
| Connection Outlet: | Open |
| Number of Tap Holes: | 2 |
| Valve/Cartridge Type: | 3/4" Ceramic Disc Valve - 1/4 turn |
| Plumbing System Requirements: | Suitable for all plumbing systems |
| Minimum Dynamic Pressure (bar): | 0.2 bar |
| Maximum Dynamic Pressure (bar): | 5 bar |
| Maximum Hot Water Temperature °C: | 65°C |
| Maximum Static Pressure (bar): | 10 bar |
| Isolation Included: | No |

Dimensions (measurements in mm)



Flow Rates (l/min)

| System Pressure (bar) | 0.2 | 0.5 | 1 | 2 | 3 | 5 |
|-----------------------|------|------|------|------|------|------|
| N 3/4 C CD (Cold) | 15.5 | 20.1 | 28.4 | 40.2 | 49.2 | 63.6 |
| N 3/4 C CD (Hot) | 12.3 | 19.5 | 27.6 | 39 | 47.8 | 61.7 |

TECHNICAL
DATA
SHEET



BRISTAN

D4