

N BF G CD

1901 Tap Range 1901 Bath Filler Gold with Ceramic Disc Valves



Features:

- Long life and easy to use 1/4 turn ceramic disc valves
- Metal handles

Product Certifications:

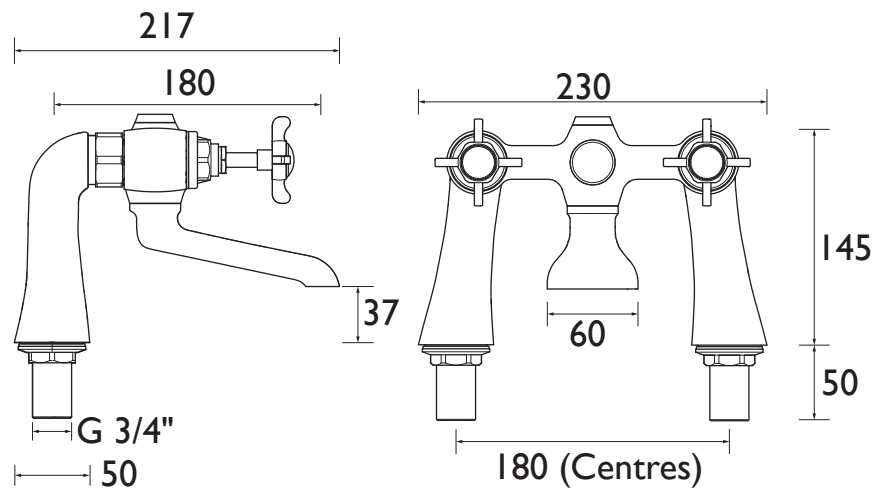
For more products, visit our website:
<http://www.bristan.com>



Specification

Product Type:	Bathroom Tap
Main Construction Material:	Brass
Mount Type:	Deck Mounted
Handle Type:	Crosshead Handles
Connection Inlet:	3/4" BSP
Connection Outlet:	N/A
Number of Tap Holes:	2
Valve/Cartridge Type:	1/4 Turn 3/4" Ceramic Disc Valves
Plumbing System Requirements:	All- Ideally Balanced
Minimum Dynamic Pressure:	0.2 bar
Maximum Dynamic Pressure:	5.0 bar
Maximum Hot Water Temperature: °C	65
Maximum Static Pressure: (bar)	10
Flow Type:	Single Flow
Isolation Included:	No

Dimensions (measurements in mm)



Flow Rates (l/min)

System Pressure (bar)	0.2	0.5	1	2	3	5
N BF G CD	42.9	67.8	95.9	135.6	166	214.4

TECHNICAL
DATA
SHEET



BRISTAN

D4