

N VAN G CD

1901 Tap Range 1901 Vanity Basin Taps with Ceramic Disc Valves Gold



Features:

- Long life and easy to use 1/4 turn ceramic disc valves
- Metal handles

Product Certifications:



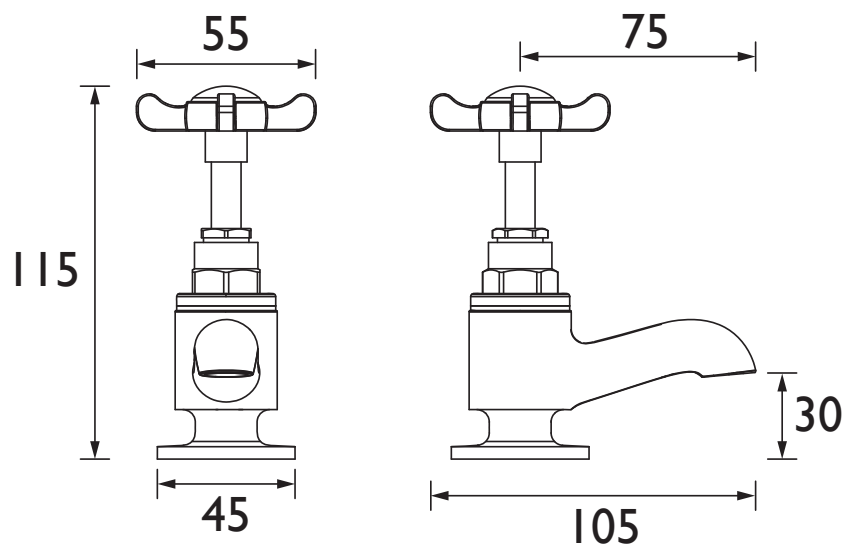
For more products, visit our website:
<http://www.bristan.com>



Specification

Product Type:	Taps
Main Construction Material:	Brass
Mount Type:	Deck
Handle Type:	Crosshead
Connection Inlet:	1/2" BSP
Connection Outlet:	N/A
Number of Tap Holes:	2
Valve/Cartridge Type:	Manual
Plumbing System Requirements:	Suitable for all plumbing systems
Minimum Dynamic Pressure (bar):	0.2 bar
Maximum Dynamic Pressure (bar):	5.0 bar
Maximum Hot Water Temperature °C:	65°C
Maximum Static Pressure (bar):	10 bar
Isolation Included:	No

Dimensions (measurements in mm)



Flow Rates (l/min)

System Pressure (bar)	0.2	0.5	1	2	3	5
N VAN G CD (Cold)	8.8	14	19.7	27.9	34.2	44.2
N VAN G CD (Hot)	8.3	13.1	18.5	26.2	32.1	41.4

TECHNICAL DATA SHEET



BRISTAN

D4